

Installation Instructions

Accuset Low Profile Ceiling Panel for LCD/DLP Projectors by Draper

Caution

- ① Installer must make sure Accuset Low Profile Ceiling Panel for LCD/DLP Projectors is positively and securely suspended, and appropriate fasteners are used.
- ② Before installing, check to make sure all parts are there.
- ③ Assembly hardware is included; fasteners for attaching mount to ceiling are not included.
- ④ Make sure all screws and bolts are tightened before allowing Accuset Low Profile Ceiling Panel for LCD/DLP Projectors to bear the full weight of the projector.
- ⑤ Mount projector before hooking up to electrical and other cables.
- ⑥ When making adjustments, make sure projector is firmly supported.
- ⑦ Adjustment setscrews require Metric Allen wrench (included).
- ⑧ Assembly screws require Torx Head drive (included).

Installation

- ① Assemble ceiling panel (see Fig. 1). Please note that the insert containing the threaded collar can be installed with the collar closest to either end of the panel, depending on the job requirements.
- ② Attach Ball Joint Assembly to collar on Low Profile Ceiling Panel and secure with provided screws.
- ③ Suspend the Low Profile Ceiling Panel assembly using wire and turnbuckles (provided). In addition, anchor the panel to the adjoining ceiling tile grid work using two screws per side. This will help stabilize the ceiling panel.
- ④ If appropriate, run cabling down through J-box knockouts in panel.
- ⑤ Install Universal Projector Bracket on projector if applicable (see separate instructions). Then, attach bracket and projector to Accuset ball joint. Adjust as necessary (see Fig. 2).

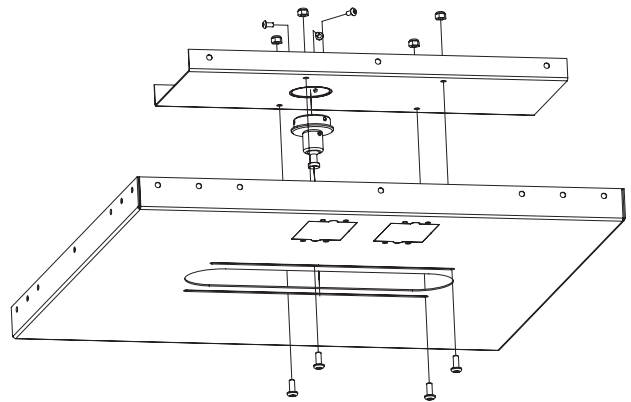


Figure 1

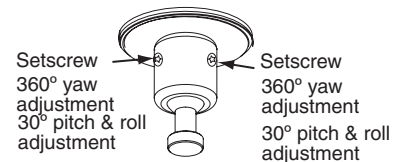
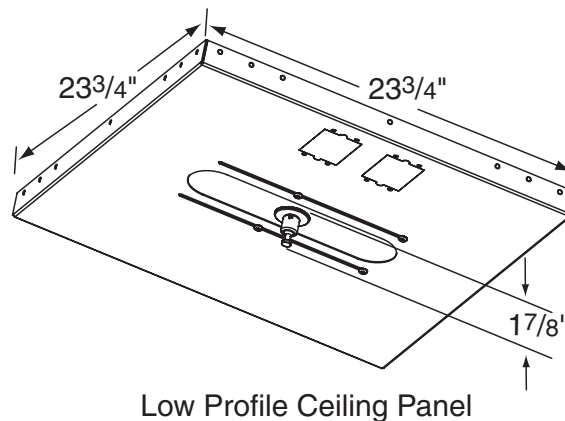


Figure 2



Please Note: A complete dimensional diagram can be found on page 2.

Low Profile Ceiling Panel

DRAPER

411 S. Pearl St., Spiceland, IN 47385 USA ■ 765-987-7999 ■ fax 765-987-7142
e-mail draper@draperinc.com ■ www.draperinc.com

Copyright ©2006 Draper Inc.

Form AccusetLowProfilePanel_Inst06

Printed in U.S.A.

Continued on Back

If you encounter any difficulty installing or servicing your Accuset Mount for LCD/DLP Projectors, call your dealer or Draper, Inc., Spiceland, Indiana, (765) 987-7999; fax (765) 987-7142; or e-mail draper@draperinc.com.

Dimensions—Accuset Low Profile Ceiling Panel

