

Scissor Lift – SLX Series
Dimensions & Data

	Model SLX11	Model SLX12	Model SLX13	Model SLX14	Model SLX15	Model SLX16	Model SLX17
Retracted height of lift*	13-3/4"	15-3/4"	15-3/4"	17-1/8"	17-1/8"	19-1/8"	19-1/8"
Overall dimensions (H x W)**	27" x 29-1/2"	27" x 29-1/2"	27" x 29-1/2"	27" x 29-1/2"	27" x 29-1/2"	27" x 29-1/2"	27" x 29-1/2"
Max. down travel (Service position)	11'	12'	13'	14'	15'	16'	17'
Approx. travel time to service pos.	99 sec.	108 sec.	117 sec.	125 sec.	134 sec.	143 sec.	152 sec.
Capacity (lbs)	350	350	350	350	350	350	350
Net weight (lbs)	160	165	170	175	180	185	190
Shipping weight (lbs)	186	191	196	201	206	211	216
Amperes***	2.6	2.6	2.6	2.6	2.6	2.6	2.6

Show Position – Set at factory. Can be specified at time of order.

Max. projector size (HxW) – Virtually unlimited. However, if using optional ceiling closure, see chart below.

Max. projector height – If recessed, limited only by amount of available space above the ceiling.

Min. clear space above finished ceiling – Will vary according to height of projector, optional mounting bracket, optional ceiling closure, optional plenum housing. Contact Draper for more information.

Ceiling opening – Varies with projector. If using optional closure, see chart below.

Optional ceiling closure – See chart below.

Optional ceiling mounting bracket – SMS Low Profile for projector lifts.

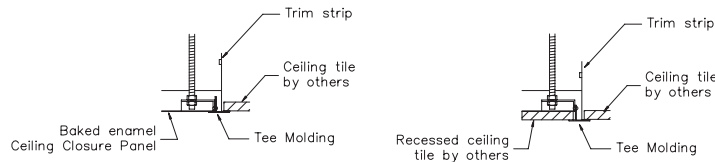
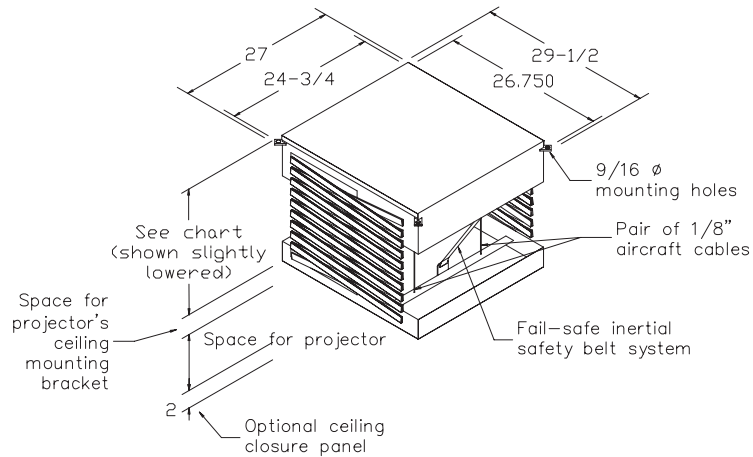
Optional plenum housing – Dims vary according to choice of projector. Contact Draper for more information.

* Only height of Scissor Lift in closed position. Overall height of equipment above the ceiling will increase with projector and any optional equipment such as mounting bracket, ceiling closure and plenum housing.

** Length includes the 1/2" cable carrier of the Cable Management System.

*** Does not include any electrical load placed on Scissor Lift's prewired power cable.

Closure Models	Size E	Size J	Size G	Size U
Max. projector size WxL	25-1/2" x 35-1/2"	25-1/2" x 39-1/2"	31-1/2" x 44-1/2"	27-1/2" x 30-1/2"
Clg opening WxL (+5/16" -0")	29-1/2" x 40"	29-1/2" x 44"	35-7/8" x 49"	36-7/8" x 36-7/8"
Ceiling closure WxL (Trim Mold edge-to-edge)	30" x 40-5/8"	30" x 44-1/2"	36-3/8" x 49-1/2"	37-3/8" x 37-3/8"



Ceiling Closure Options
Do Not Scale

DRAPER

Scissor Lifts – SLX Series

DRAPER, Inc., 411 S. Pearl Street, Spiceland, Indiana 47385
EMAIL drapercontract@draperinc.com, PH 765-987-7999, FAX 866-637-5611