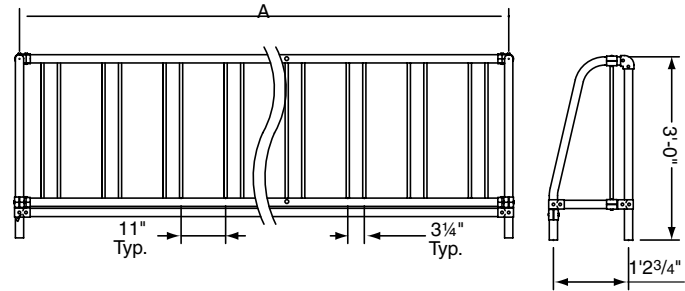


# Traditional Style Bike Racks

by DRAPER

## Bike Racks—Specifications

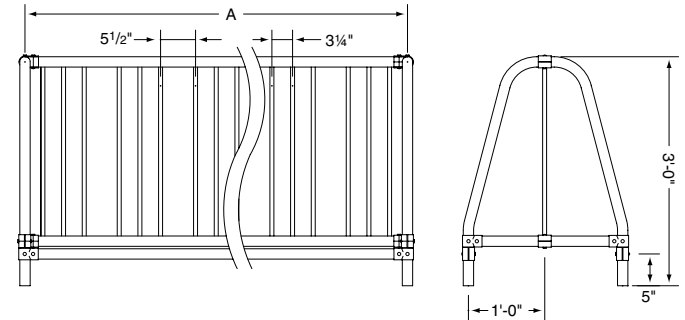
\_\_\_\_\_ Bike Racks shall be Model No. \_\_\_\_\_ Traditional Style Bike Racks by Draper, Inc., Spiceland, IN. Traditional Style Bike Rack to be Draper to be designed to be freestanding. Traditional Style Bike Rack to be [Single/ Double] sided and shall be [5 feet/8 feet/10 feet] long. Single Sided Bike Racks will hold one bicycle per foot and Double Sided Bike Racks will hold two bicycles per foot one on each side. Draper Traditional Style Bike Racks are fabricated with a 1<sup>5</sup>/<sub>8</sub>" OD galvanized steel tubular frame, heavy-gauge galvanized steel stampings and 5/8" OD rungs spaced in groups to facilitate uniform parking and to allow easy entrance and exit of bicycles.



Single-Sided

## Traditional Style Bike Rack Add On Units

Traditional Style Bike Rack Add On Units are designed to extend the length and increase the capacity of your stand alone Draper Traditional Style Bike Racks. Add on units to be [5 feet/8 feet/10 feet] long. Add on unit to be of same construction as Draper Traditional Style Bike Racks, but is supplied with a single end frame and a cross-style fitting to allow add on unit to be attached to Draper Traditional Style Bike Rack.



Double-Sided

## Please Mark Appropriate Selections

### Select Bike Racks

#### Traditional Style

	Capacity	Base Unit Part No.	Add On Part No.	A Dimension	How Many?
5' Double Sided	10 Bicycles	505345	505344	60"	_____
8' Single Sided	8 Bicycles	505338	505337	96"	_____
8' Double Sided	16 Bicycles	505348	505347	96"	_____
10' Single Sided	10 Bicycles	505330	505339	120"	_____
10' Double Sided	20 Bicycles	505340	505349	120"	_____

DRAPER®

411 S. Pearl St., Spiceland, IN 47385 USA ■ 765-987-7999  
www.draperinc.com ■ fax 765-987-7142

Copyright © 2009 Draper Inc. Form TraditionalStyleBikeRacks\_Sub09 Printed in U.S.A.

PROJECT: \_\_\_\_\_

ARCHITECT: \_\_\_\_\_

CONTRACTOR: \_\_\_\_\_

SUPPLIER: \_\_\_\_\_

DATE: \_\_\_\_\_ REVISED: \_\_\_\_\_