

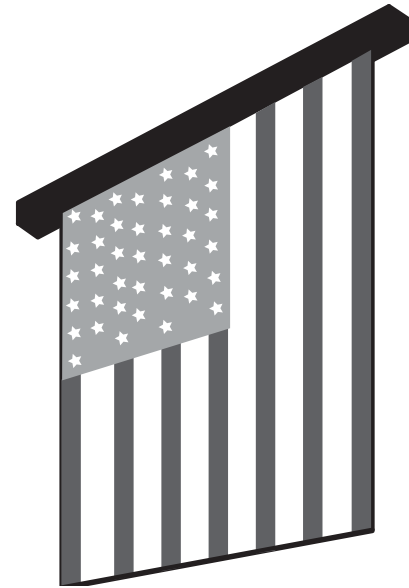
### Specifications—Patriot

Patriot American Flags, oriented ([vertically] [horizontally]), electrically operated 60 hz., 110-120V AC. Motor to be 3-wire, instantly reversible, designed for the purpose, lifetime lubricated. With internal thermal overload protector and mechanical brake. Motor mounted on rubber vibration insulators. Preset, accessible limit switches. Entire drive unit easily removable from case.

Roller to be heavy gauge metal 5" O.D. Zinc plated roller brackets to have double row radial ball bearings.

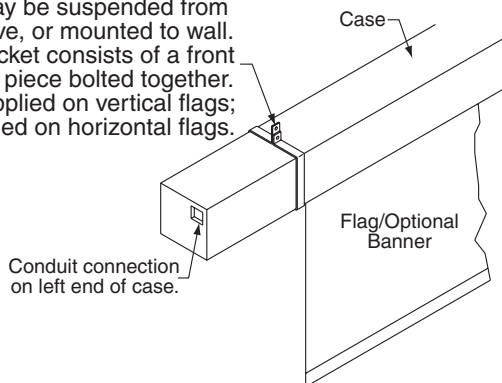
The Patriot can display a flag either vertically (banner) or horizontally. The flag measures 12' x 18' when displayed vertically or 18' x 12' when displayed horizontally. The vertical (banner) flag is housed in a 14'10" case, and the horizontal flag is housed in a 20'10" case. Case of 3/4" warp resistant composition wood, with hinged panel for motor compartment, finished with primer coat of paint. Motor compartment to be metal lined. Bottom of case fully enclosed except slot allowing fabric passage. Steel mounting brackets, at least 1/4" thick, wrap under bottom edge of case.

Standard product includes a sewn, nylon flag. Options include state flags or school banners, provided by customer.



### Methods of Installation

Universal Mounting Bracket may be suspended from above, or mounted to wall. Each bracket consists of a front and back piece bolted together. 2 supplied on vertical flags; 3 supplied on horizontal flags.



### Please Mark Appropriate Selections

#### Select Flag Orientation

- 500101 Banner      How Many? \_\_\_\_\_  
 500102 Horizontal      How Many? \_\_\_\_\_

#### Select Control Options

- Key Switch (standard)  
 EZ Power Wireless Remote Control (See separate sheet)  
 Smart Gym (See separate sheet)

### Position and Manner of Display of US Flag

#### When displayed either horizontally or vertically against a wall--

- Flag should be oriented to display the field of stars to the observer's uppermost left.

#### When displayed away from the wall or in the middle of a room--

- If the building has one main entrance, flag should be suspended vertically and oriented with the field of stars to the observer's uppermost left upon entering.
- If the building has more than one main entrance, the flag should be suspended vertically near the center of the room and positioned with the field of stars to the upper north corner if entrances are east and west, or with the field of stars to the upper east when entrances are north and south.
- If the building has entrances in more than two directions, the flag should be located near the center of the room and should be oriented to display the field of stars in the upper east corner.

Source: *The American Legion*

PROJECT: \_\_\_\_\_

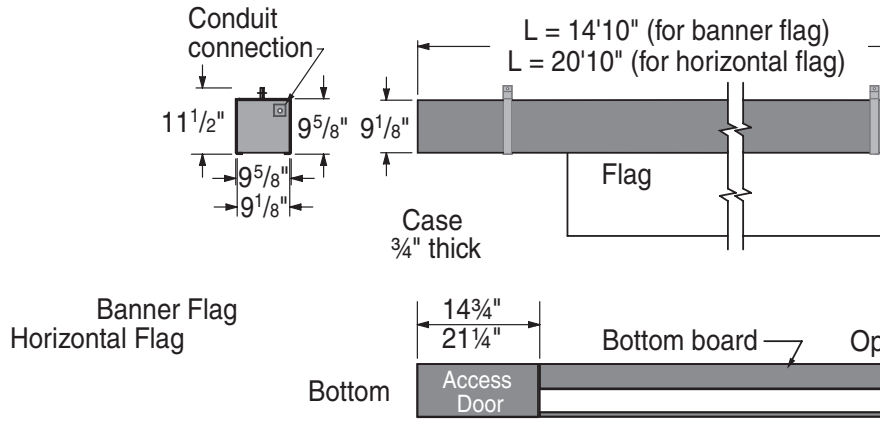
ARCHITECT: \_\_\_\_\_

CONTRACTOR: \_\_\_\_\_

SUPPLIER: \_\_\_\_\_

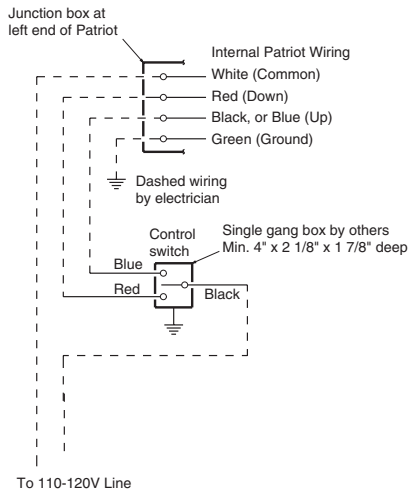
DATE: \_\_\_\_\_ REVISED: \_\_\_\_\_

**Case Dimensions**



**Patriot Wiring Diagram**

**Single Station Control**



**Key Switch**

