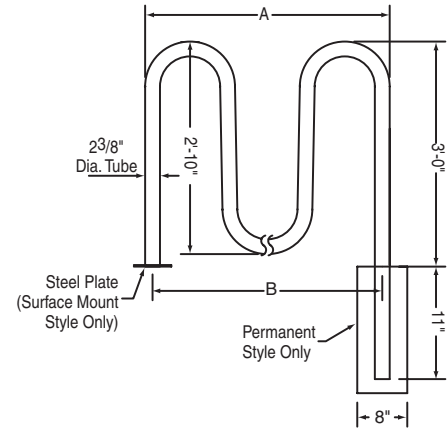


Loop Style Bike Racks



Loop Bike Racks—Specifications

_____ Bike Racks shall be Model No. _____ Loop Style Bike Racks by Draper, Inc., Spiceland, IN. Loop Style Bike Rack to be Draper to be designed for [permanent/surface] mounting. Loop Style Bike Rack to have [three/five/seven/nine] formed loops and shall be capable of holding [five/seven/nine/eleven] bicycles. Draper Loop Style Bike Racks shall be fabricated from 2³/₈" Schedule 40 OD galvanized tubing, shall have an overall height of 36" and the middle loops shall be 34". Spacing between loops shall be 10" and overall dimension shall be [38"/64"/87"/110"].



Please Mark Appropriate Selections

Select Bike Racks

Loop Style	Capacity	Permanent Style	How Many?	Surface Mount Style	Dimension A	Dimension B	How Many?
3 Loop	5 Bicycles	505313	_____	505323	38"	35 ⁵ / ₈ "	_____
5 Loop	7 Bicycles	505315	_____	505325	64"	61 ⁵ / ₈ "	_____
7 Loop	9 Bicycles	505317	_____	505327	87"	84 ⁵ / ₈ "	_____
9 Loop	11 Bicycles	505319	_____	505329	110"	107 ⁵ / ₈ "	_____

LEED® Submittal Information

Credit	Measure
MRc4 – Recycled Content	Post Consumer Average 24% Post Industrial 6%
MRc5 – Regional Materials	Raw materials are commodity items from multiple sources so extraction point cannot be determined. Final Manufacturing/Assembly in Waterford, CT 06385.



411 S. Pearl St., Spiceland, IN 47385 USA ■ 765-987-7999
www.draperinc.com ■ fax 765-987-7142

Copyright © 2010 Draper Inc. Form LoopStyleBikeRacks_Sub10 Printed in U.S.A.

PROJECT: _____

ARCHITECT: _____

CONTRACTOR: _____

SUPPLIER: _____

DATE: _____ REVISED: _____