

502028

Deluxe Arm Ladder

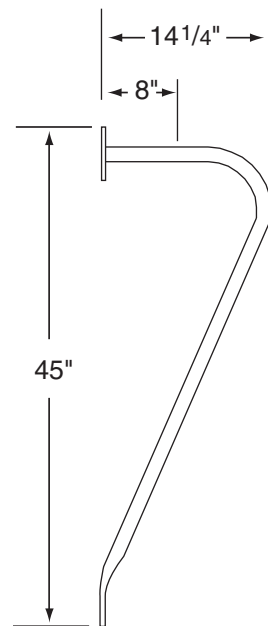
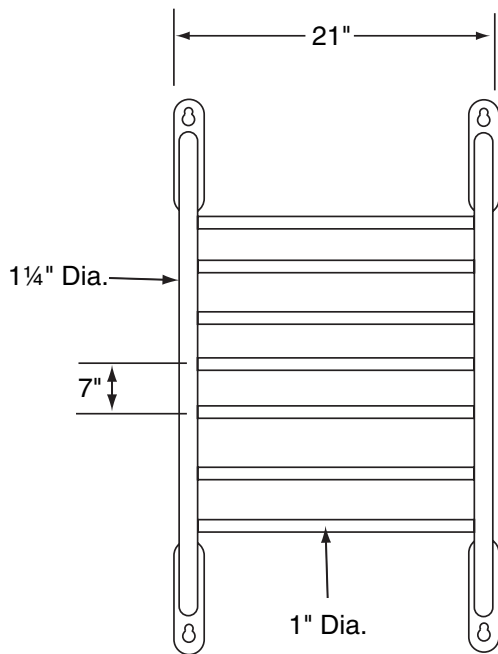
by DRAPER

Specifications—Deluxe Arm Ladder 502028

____ Arm Ladders, 5020018 by Draper, Inc., of Spiceland, IN. Unit shall be 63" long x 21" wide. Ladder construction shall be steel, welded into one piece. Outside rails shall be 1 1/4" dia. tubing. The ladder shall have seven rungs of 1" dia. tubing spaced 7" apart and be designed with a 10° slope for a comfortable climbing angle. Unit weight shall be 30 lbs.

Frame shall be powder coated gloss black.

Hardware for mounting shall be provided by others to meet requirements for specific wall construction.



DRAPER

411 S. Pearl St., Spiceland, IN 47385 USA ■ 765-987-7999 ■ fax 765-987-7142
e-mail draper@draperinc.com ■ www.draperinc.com

Copyright © 2005 Draper Inc. Form DeluxeArmLadder_Sub05-R Printed in U.S.A.

PROJECT: _____

ARCHITECT: _____

CONTRACTOR: _____

SUPPLIER: _____

DATE: _____ REVISED: _____