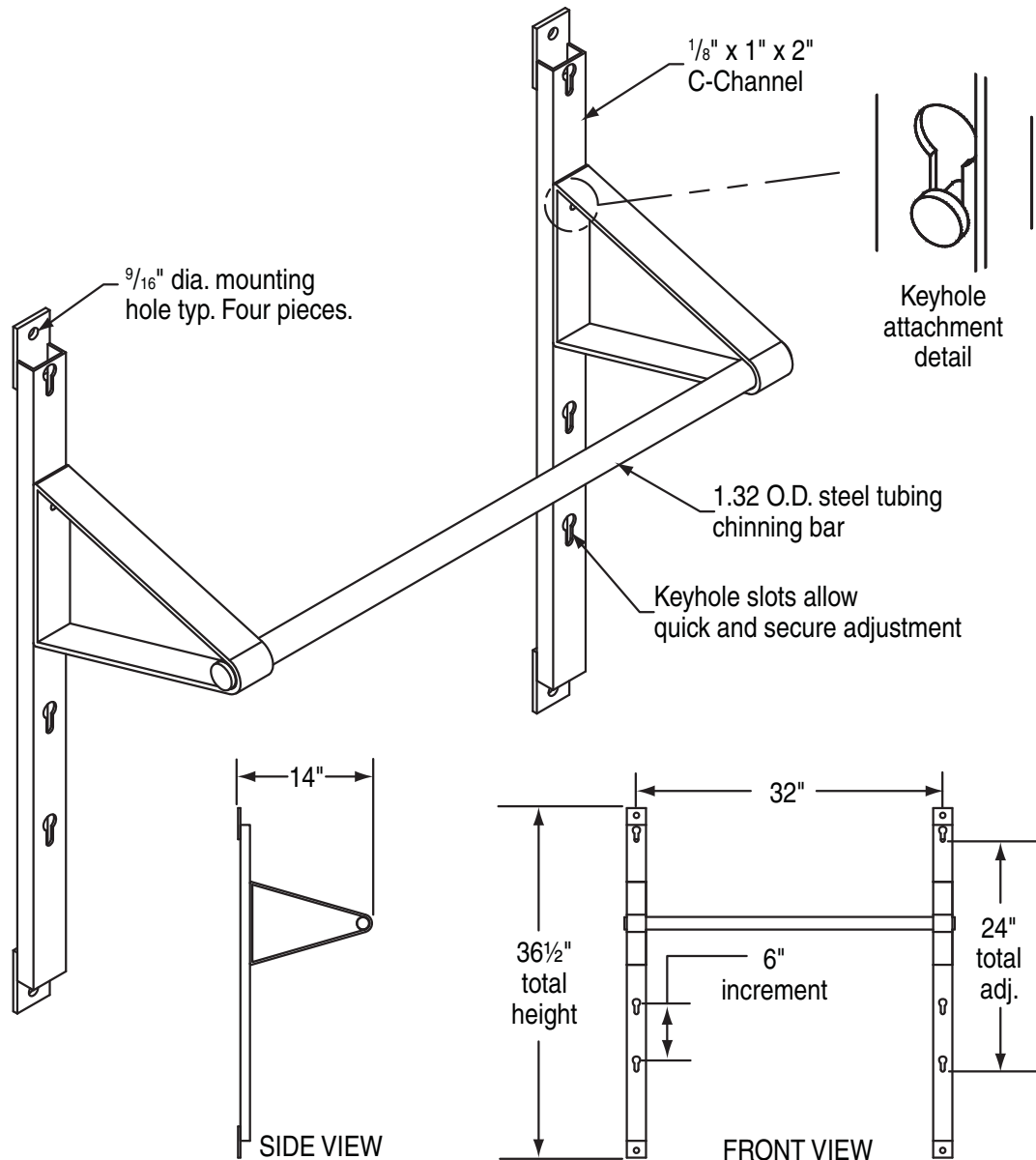


# 502015

## Deluxe Adjustable Chinning Bar

by **DRAPER**



### Specifications—Deluxe Adjustable Chinning Bar

Deluxe Adjustable Chinning Bars, #502015 by Draper, Inc., of Spiceland, IN.

Bar assembly shall be 1 5/16" O.D. diameter RS-20 Steel Tubing that is 32" long and securely welded to two extension frames constructed with 1/4" x 2" steel, creating a chinning bar assembly that is designed for maximum strength and durability. Bar assembly extends 14" from attachment point and includes welded steel 1/4" tall 5/16" dia. studs with 5/8" dia. heads that allow for use with adjustable wall brackets. Chinning bar assembly shall be finished with durable and attractive powder coat.

Adjustable wall brackets shall be constructed with 1/8" x 1" x 2" steel C-Channel welded to 2" mounting tabs. Wall brackets to include keyhole slots to accept studs on back of chinning bar assembly. Keyhole slots to be located to allow for height adjustment in 6" increments.

# DRAPER®

411 S. Pearl St., Spiceland, IN 47385 USA ■ 765-987-7999  
www.draperinc.com ■ fax 765-987-7142

Copyright © 2011 Draper Inc. Form DeluxeAdjustableChinBar\_Sub11 Printed in U.S.A.

PROJECT: \_\_\_\_\_

ARCHITECT: \_\_\_\_\_

CONTRACTOR: \_\_\_\_\_

SUPPLIER: \_\_\_\_\_

DATE: \_\_\_\_\_ REVISED: \_\_\_\_\_