

504301 Curtain Lok

Drive Shaft Style Divider
Curtain Safety Device

by

DRAPER

Specifications—504301 Curtain Lok Drive Shaft Style Divider Curtain Safety Device

Product Description

Drive Shaft Style Curtain Safety Device shall be the Draper Model 504301 Curtain Lok by Draper, Inc., Spiceland, IN.

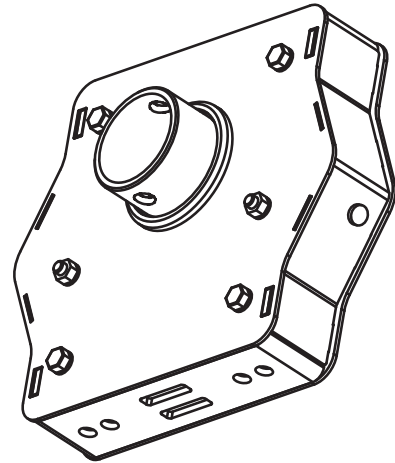
Curtain Lok shall be directly speed sensitive to automatically lock a divider curtain in position at any time whether in storage or during the raising/lowering cycle. In the event of an over-speed situation caused by a malfunction of the hoisting apparatus, any increase in cycle speed or tension, whether sudden or gradual, immediately activates the locking device. The locking mechanism shall react to the actual speed of the drive shaft and prevent it from exceeding a speed of 1.5 feet per second.

Curtain Lok shall be designed to work regardless of direction of rotation to insure that unit cannot be installed incorrectly. The locking mechanism must be fail-safe, so that any sticking, jamming or breakage of any of the components of the arresting mechanism results in immediate, positive locking of the drive shaft. The locking mechanism to be self-checking and shall actively and positively confirm, six times per revolution, that the reel is traveling at a safe speed. The unit shall incorporate a fully automatic reset when equipment is repaired and load removed and requiring no poles, ropes, levers or buttons to be used.

The unit shall have an interlocking all-steel frame for strength and be powder coated for corrosion resistance and a modern, aesthetically pleasing appearance.

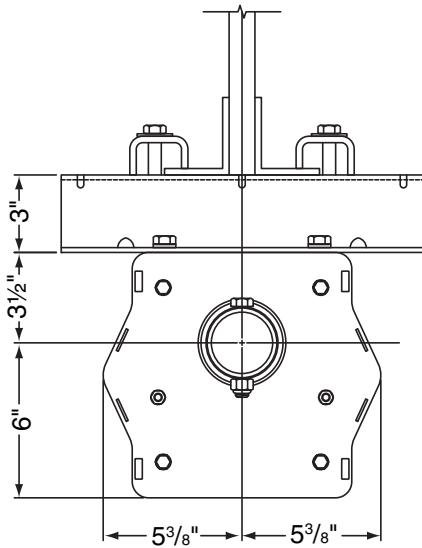
Patent Pending.

Downloadable 3-part specifications are available at www.draperinc.com.

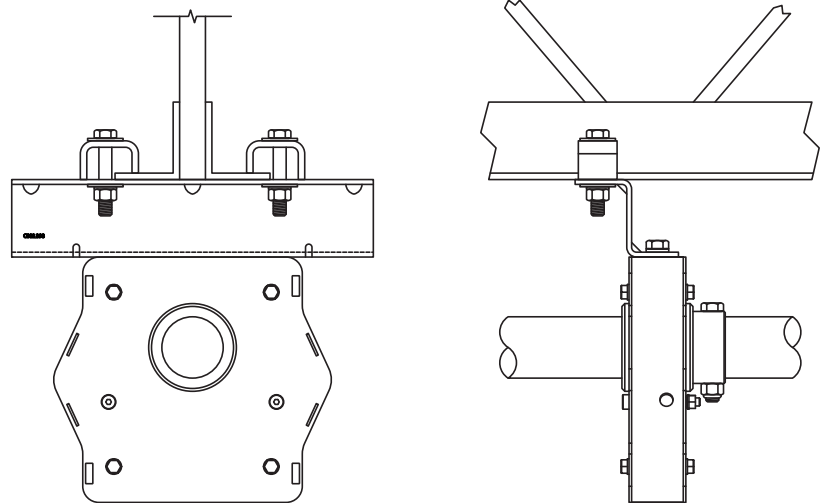


Patent Pending

Dimensions



Installation Options (Typical)



DRAPER®

411 S. Pearl St., Spiceland, IN 47385 USA ■ 765-987-7999
www.draperinc.com ■ fax 765-987-7142

Copyright © 2010 Draper Inc. Form 504301-CurtainLok_Sub10 Printed in U.S.A.

PROJECT: _____

ARCHITECT: _____

CONTRACTOR: _____

SUPPLIER: _____

DATE: _____ REVISED: _____