

Climbing Ropes

by DRAPER

Specifications – Climbing Ropes

Product Description

EZ Manila: Climbing rope shall be 1½" dia., and shall be constructed of 3 strands of "Grade A" manila. Rope shall be secured at top to a cast, ductile iron fitting. Bottom of rope shall feature (whipped/turk knot/polyboot) end.

EZ Rope: Climbing rope shall be 1½" dia., and shall be constructed of Unmanila material. Rope shall be secured at top to a cast, ductile iron fitting. Bottom of rope shall feature (whipped/turk knot/polyboot) end.

EZ Poly: Climbing rope shall be 1½" dia. Core shall be constructed of polypro, covered with polyester. Rope shall be secured at top to a cast, ductile iron fitting. Bottom of rope shall feature (whipped/turk knot/polyboot) end.

Accessories

Woven Knots shall be spliced into the rope. Specify how many and location desired. Shall be available on all ropes.

Large Tied Knots. Specify how many and location desired. Shall be available on all ropes.

Rubber Balls. Specify how many and location desired. Shall be available on Manila and Poly Plus ropes.

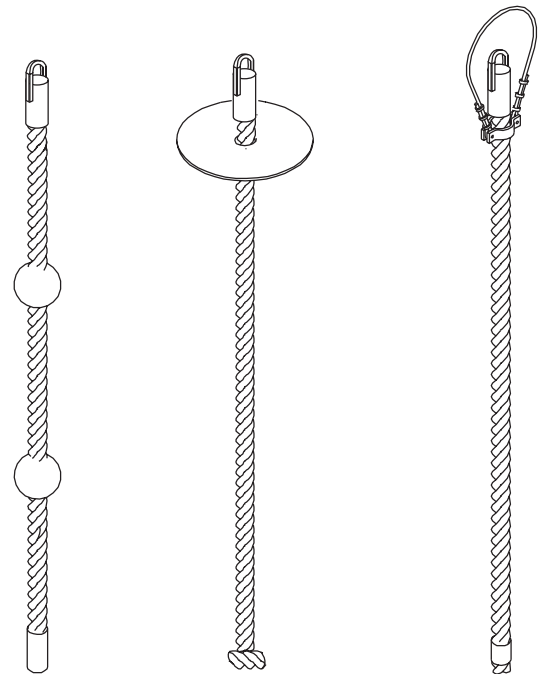
502003—Adjustable Beam Clamp shall be made of 5/8" steel with threaded rod for adjustment. Clamp locks into position with hex nut and lock washer. Includes ½" zinc-plated Quick Link for attachment of climbing rope to ceiling attachment.

502004—Tambourine shall be constructed of ½" lacquered plywood, and shall clamp to any position on the rope to set upper limit of climbing.

502005—Rope Hoist shall consist of ¼" polyester rope, connected to rope cleat mounted on wood wall pad. Rope shall pass through pulley mounted on pulley plate, located above wood pad. A loop shall be formed using quick links and cable clamps. Weight bag with quick link shall be attached to the loop. Rope shall be trimmed to desired length. Hardware for mounting wood pad to wall shall be provided by others to meet requirements of specific wall construction. 70 lb. limit.

502014—Safety Cable Attachment shall be constructed of 1/8" dia. x 5' steel cable, 6 cable splices, and a 1¼" clamp, which shall attach to the rope. Safety Cable Attachment shall be attached to or hung over primary supporting framework after rope installation is complete.

Downloadable 3-part specifications are available at www.draperinc.com.



EZ Poly
(Shown with Rubber Balls and Polyboot)

EZ Rope
(Shown with knot end and Tambourine)

EZ Manila
(Shown with Safety Cable Attachment and Whipped End)

Please Mark Appropriate Selections

Select Rope:

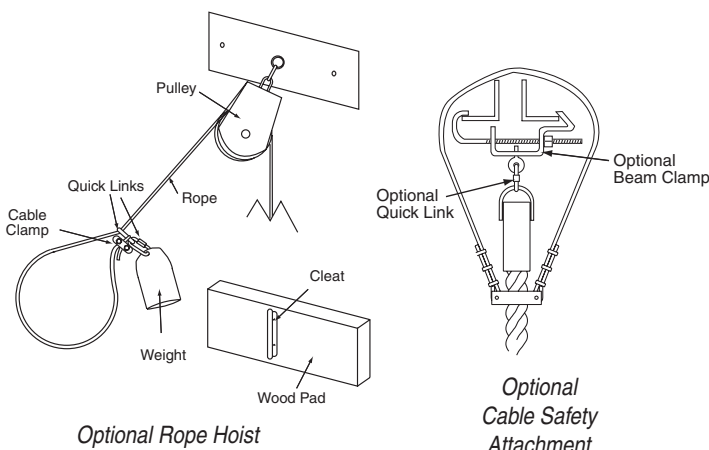
- EZ Manila How Many: _____
- EZ Rope How Many: _____
- EZ Poly How Many: _____
- Total Length (attachment point to finished floor) _____
- Extra Length: _____

Choose End:

- Whipped
- Knot
- Polyboot

Optional Accessories:

- Tambourine
- Beam Clamp with Quick Link
- Safety Cable Attachment How many? _____
- Knots
- Rubber Balls Number _____ Location Desired _____
- Large Tied Knots Number _____ Location Desired _____
- Woven Knots Number _____ Location Desired _____
- Rope Hoist



Optional Rope Hoist

Optional Cable Safety Attachment

DRAPER

411 S. Pearl St., Spiceland, IN 47385 USA ■ 765-987-7999 ■ fax 765-987-7142
e-mail draper@draperinc.com ■ www.draperinc.com

Copyright ©2005 Draper Inc.

Form ClimbingRopes_Sub05

Printed in U.S.A.

PROJECT: _____

ARCHITECT: _____

CONTRACTOR: _____

SUPPLIER: _____

DATE: _____ REVISED: _____