

505201 Tetherball System

by **DRAPER**

Specifications - 505201 – Tetherball System

Product Description

_____ Tetherball Systems shall be #505201 Tetherball System by Draper, Inc. of Spiceland, IN.

505201 Tetherball System shall consist of post, all necessary hardware and ball.

Post shall be constructed with 2³/₈"-13 gauge galvanized tubing with a wall thickness of .095". Overall length of post shall be 11'6" to allow for 18" to be set in concrete footing or optional ground sleeve. Top of post is capped to prevent collection of water or moisture and bottom of post to be notched to prevent rotation in footing and/or ground sleeve. Post to have a 3/8" eyebolt used for rope attachment, 4" below the top of post. All hardware to be zinc plated and all nuts are to be locking.

Ball to be standard two-ply yellow soft touch composition covered ball with nylon wound butyl bladder, and reinforced recessed rope attachment. Ball is supplied with sufficient braided nylon rope to allow for attachment at the proper height of 24" above the playing surface.

Options:

505318—Ground Sleeve with cover for semi-permanent installations. Sleeve has an inside diameter of 2³/₈" and overall measurement of 24". Sleeve has a limit pin to allow post notch to seat and prevent rotation. Pin is installed to create a 6" debris trap at bottom. Sleeve is supplied with neoprene seal safety cap and wrench.

505202—Replacement Tetherball with rope as described above.

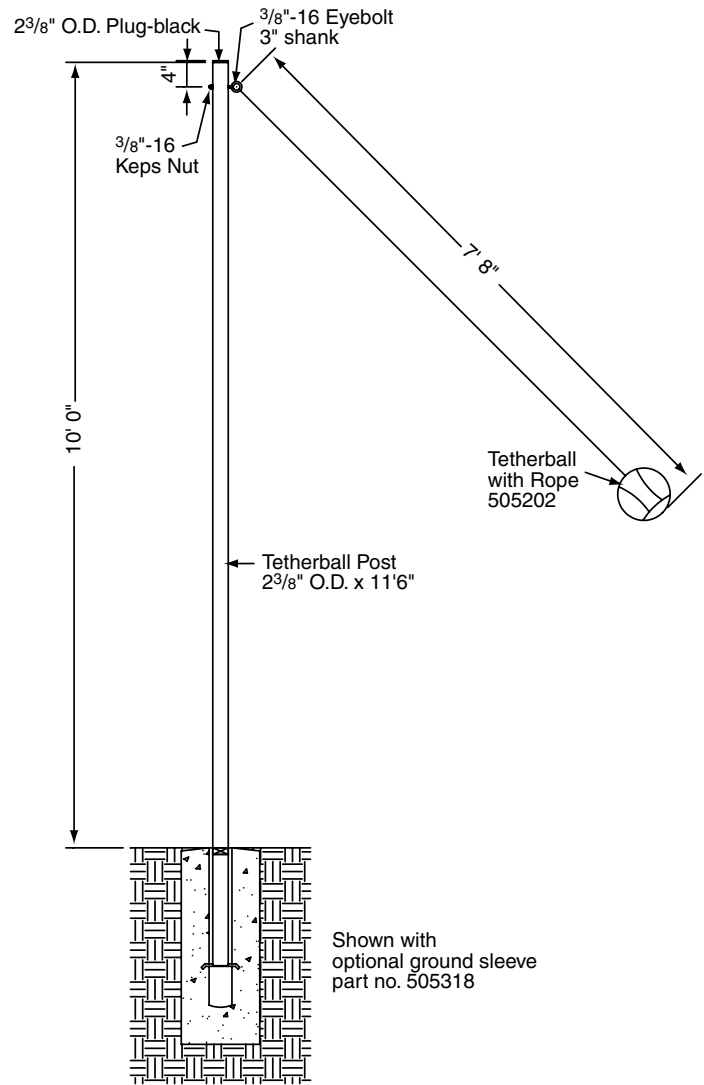
Please Mark Appropriate Selections

Select Tetherball System:

How many Tetherball Systems do you need? _____

Select Optional Accessories:

- | | |
|---|-----------------|
| <input type="checkbox"/> 505318 Ground Sleeve | How Many? _____ |
| <input type="checkbox"/> 505202 Replacement Tetherball & Rope | How Many? _____ |



DRAPER

PROJECT: _____
ARCHITECT: _____
CONTRACTOR: _____
SUPPLIER: _____
DATE: _____ REVISED: _____