

Installation Instructions

505501 Outdoor Volleyball System by Draper

Caution

- ① Inspect all contents prior to installation. Report any missing parts to dealer immediately.
- ② The net is designed to fit by customizing the length of the top rope. Tie a loop in one end of the top rope at a location that allows proper tensioning. Do not cut the excess rope until you are confident you have the correct length. Length will depend on the distance between the standards. Nets cannot be returned after unwrapping.
- ③ Read all instructions before proceeding.

Bill of Materials

A (2) Volleyball Standards	H (4) Rope Ratchet Tensioners
B (1) Cable Tensioning Slider Bar Assembly	(Packaged w/Net)
C (1) Non-Tensioning Slider Bar Assembly	I (2) 505309 Ground Sleeve
D (2) Height Labels	with cap (if applicable)
E (1) Label Squeegee	J (1) 505310 Sand/Beach
F (2) Stop Bolt and Nut (pre-installed)	Install Kit (if applicable)
G (1) Net	K (1) Carabineer

Immediately unpack all components and cross check against bill of materials.

Please Note: Consult Draper's Equipment Rules and Court Diagrams Guide to determine proper location of post and/or Ground Sleeves.

- ① If applicable, follow instructions and drawings provided with ground sleeves (I) or sand/beach installation kit (J), then skip to step 4.
- ② If placing the posts for a permanent installation you should dig a hole measuring 12" minimum diameter x 24" deep. (Note: if you live an area where the frost line is below 24", it is advisable to dig to below the normal frost line.)
- ③ Fill the hole with wet premix concrete, insert pole leaving a minimum of 102" above the playing surface. Posts should be installed with the extruded groove for the slider bar facing toward center court. Vibrate post to settle concrete around post and release any trapped air pockets. Make sure post is straight and plumb then brace post while concrete is drying. Allow 24 hours minimum drying time before continuing assembly.
- ④ Remove the top cap and stop screw to install the slider bar assemblies (B) and (C) into the standards (A) from the top (Fig. 1). Note which end is the top of the slider bars (Fig. 2). Replace bolt and nut or cap and screw to keep slider bar in place during transport.

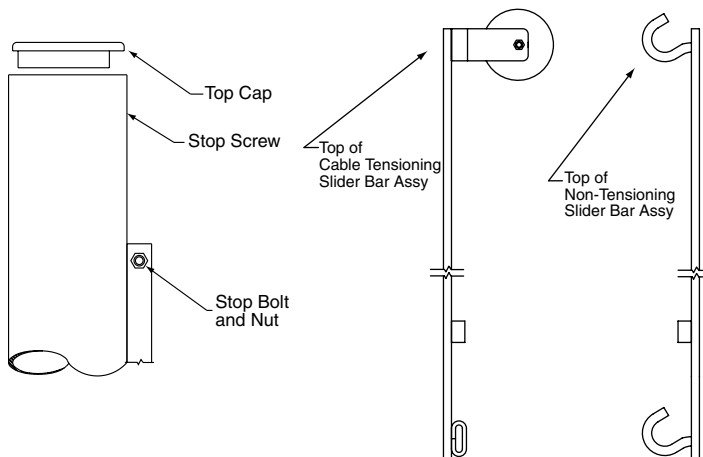


Figure 1

Figure 2

- ⑤ Uncoil approximately 24" of the web strap from the winch to allow for net tensioning.
- ⑥ Attach the kevlar top rope to the slider bars (B) and (C). On the cable tensioning slider bar (B), the rope will loop over the pulley and attach to the spring clip on the end of the winch strap. On the non-tensioning slider bar (C) attach the loop to the hook on the top of the slider bar (Fig. 3).
- ⑦ Tension the top rope by tightening the net top tension winch.
- ⑧ Attach the loop on one end of the bottom rope to the hook on the bottom of the slider bar. Attach the other end of the bottom rope with the spring hook on the rope ratchet. Tension the bottom rope by pulling the rope through the bottom rope ratchet tensioner (H) (Fig. 3).
- ⑨ Loop two small rope ratchet assemblies (H) around each standard and through the eyelets on the net side tapes. Tension the net sides by pulling the end of the ropes. Release the rope ratchet by pressing on the release button. Ratchets should be rotated close to the pole and behind the padding to prevent contact with players (Fig. 3).
- ⑩ Once the net is attached it must be adjusted to its desired height. Loosen the winch to release the net tension. Do this before moving the slider bars (Fig. 3).
- ⑪ After the net tension has been released, loosen the slider bar locking knobs to allow the slider bars to freely move up and down. Adjust net to desired height. Once the top of the net is at the desired height, tighten the slider bar locking knobs and net top tension winch.
- ⑫ Once the net is locked and tensioned at the desired height, install the height labels (D). Line up the appropriate line on the height label with the orange height indicator arrow.
- ⑬ Install padding and antennas.

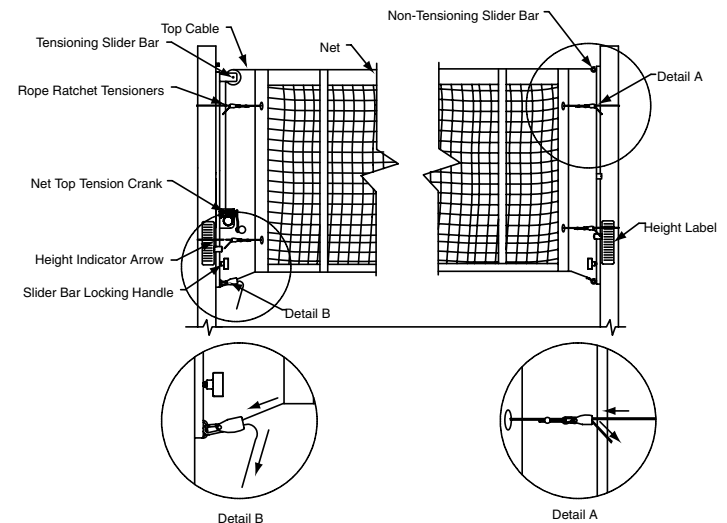


Figure 3

DRAPER

411 S. Pearl St., Spiceland, IN 47385 USA ■ 765-987-7999 ■ fax 765-987-7142

e-mail draper@draperinc.com ■ www.draperinc.com

Copyright © 2005 Draper Inc. Form 505501-OutdoorVolleyball_Inst05 Printed in U.S.A