

Football-Soccer Goal Post Combo

by DRAPER

Specifications—505117 Combination Football/Soccer Goals for High School or College

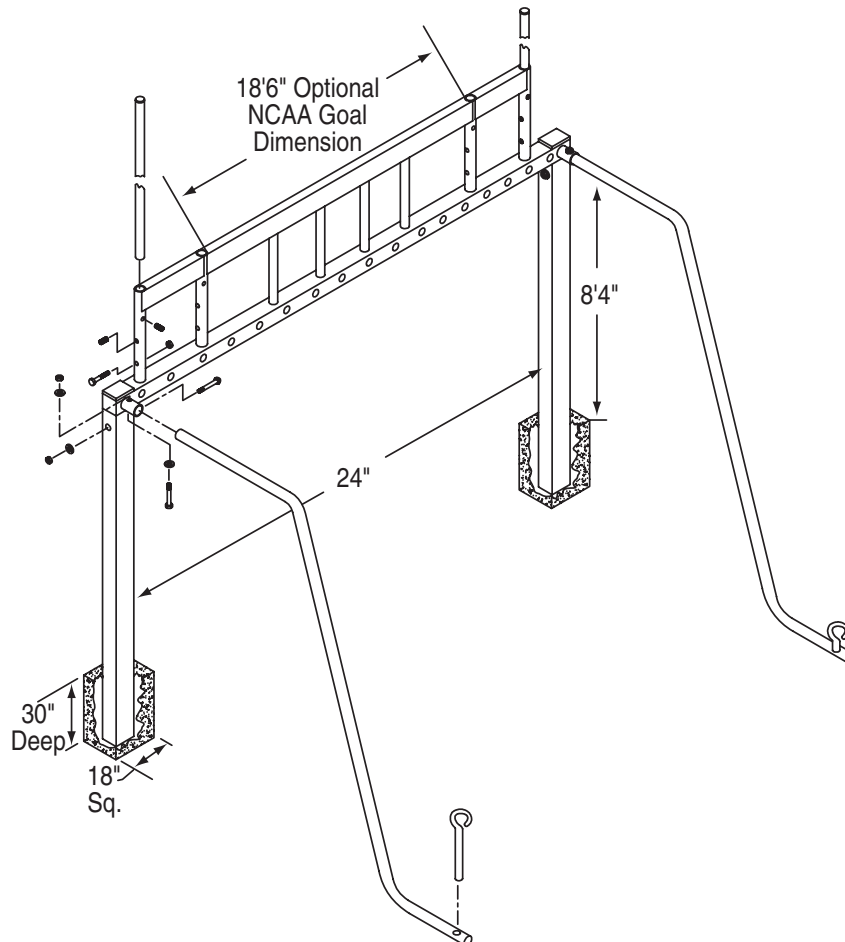
Football and Soccer Goal Post Combo shall be 505117 Football/Soccer Goal Post Combo by Draper, Inc., of Spiceland, IN.

Goals shall be designed to accommodate official 24' x 8' soccer and either high school or college football. Primary framework shall be constructed of 4" x 2" rectangular galvanized steel tubing. Upright posts shall bury a minimum of 24" into the ground. Football uprights shall be constructed of 2³/₈" OD diameter steel and shall extend 20' above the 10' high crossbar. Entire Frame assembly and uprights shall be finished in a durable white powder coat.

Uprights shall be designed to be placed at either official high school width of 23'4" or official college width of 18'6" between the uprights. Rear of goal shall be fitted with removable traditional style 4' deep backstays constructed of 1⁵/₁₆" diameter galvanized steel tube and provide a 10' bottom net depth.

Goal frame shall include soccer net attachment kit. Specify Draper model 505515, 24' x 8' x 4' x 10' twisted nylon net separately. All hardware shall be zinc plated grade 5 minimum. Shipping weight shall be 912 lbs.

Optional aluminum ground sleeves (505098) available for semi-permanent installations.



DRAPER®

411 S. Pearl St., Spiceland, IN 47385 USA ■ 765-987-7999

www.draperinc.com ■ fax 765-987-7142

Copyright © 2009 Draper Inc. Form Football-SoccerCombo_Sub09 Printed in U.S.A.

PROJECT: _____

ARCHITECT: _____

CONTRACTOR: _____

SUPPLIER: _____

DATE: _____ REVISED: _____