

5⁹/₁₆" OD Adjustable Leveling Pad Football Goalposts

High School and Collegiate Goalposts and Accessories

by **DRAPER**

Please Mark Appropriate Selections

Select Goalposts

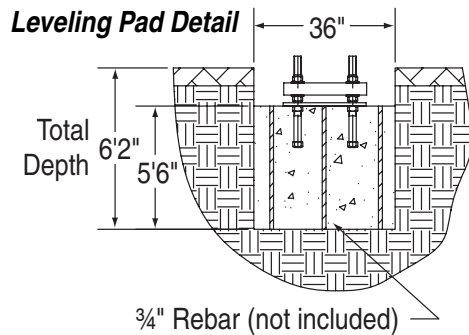
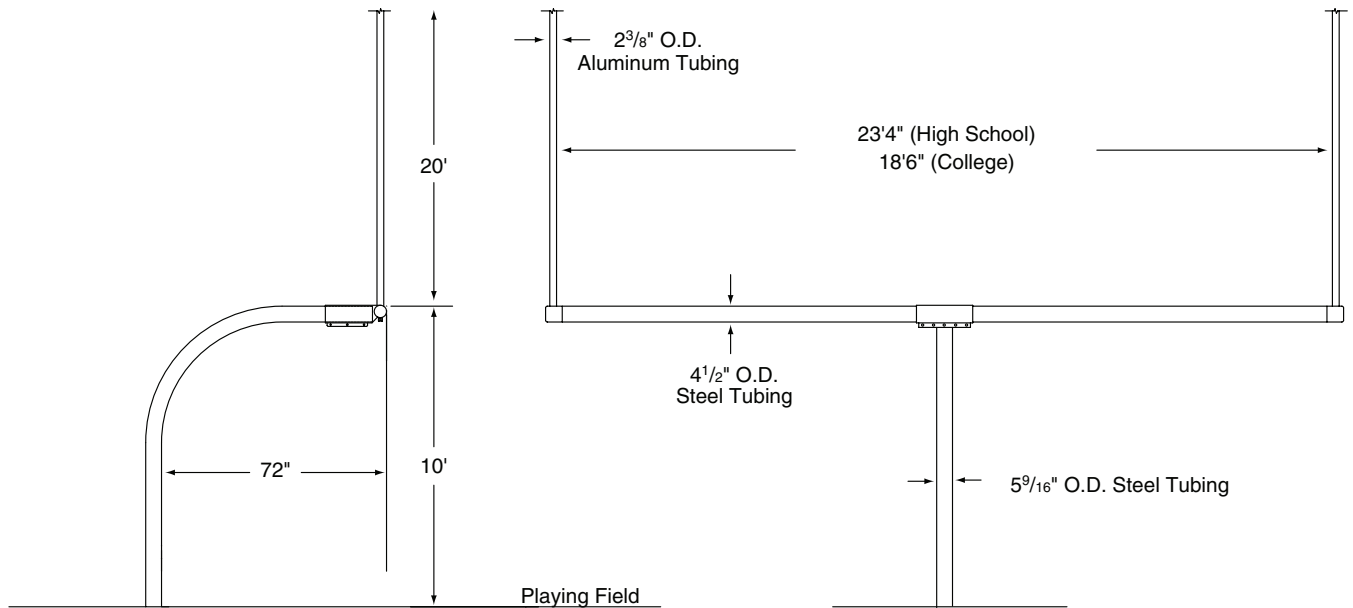
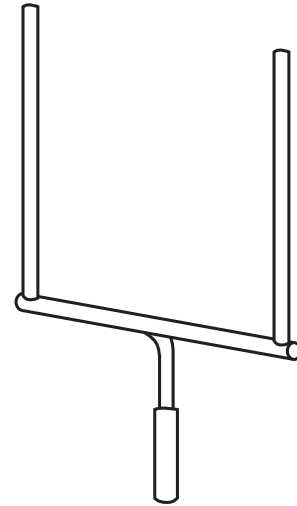
- 505132—5⁹/₁₆" OD White High School
- 505133—5⁹/₁₆" OD Yellow High School
- 505134—5⁹/₁₆" OD White Collegiate
- 505135—5⁹/₁₆" OD Yellow Collegiate

Optional Goalpost Pads—5051xx

- | | |
|--|--|
| <input type="checkbox"/> Marine Blue-02 | <input type="checkbox"/> Maroon-09 |
| <input type="checkbox"/> Red-04 | <input type="checkbox"/> Dark Blue/Royal Blue-10 |
| <input type="checkbox"/> Orange-06 | <input type="checkbox"/> Black-11 |
| <input type="checkbox"/> Yellow/Gold-07 | <input type="checkbox"/> Purple-12 |
| <input type="checkbox"/> Grey-08 | <input type="checkbox"/> Forest Green-13 |
| <input type="checkbox"/> Navy Blue-15 | <input type="checkbox"/> Kelly Green-14 |
| <input type="checkbox"/> Custom Color: _____ | |

Other Options

- Optional Ground Sleeve 505101—5⁹/₁₆" OD



PROJECT: _____

ARCHITECT: _____

CONTRACTOR: _____

SUPPLIER: _____

DATE: _____ REVISED: _____

DRAPER[®]

5⁹/₁₆" OD Adjustable Leveling Pad Football Goalposts

Specifications—5⁹/₁₆" Gooseneck High School Adjustable Leveling Pad Goalposts

Gooseneck High School Goalposts shall be provided by Draper, Inc., of Spiceland, IN.

Goalposts shall meet all National High School Federation rules. Goalposts shall be of the single bent post design and provide a minimum of 72" of setback from the front of the post to the front of the horizontal crossbar. The bent post shall be a minimum of 5⁹/₁₆" outside diameter steel tube with a minimum wall thickness of 0.25" and shall have an adjustable mounting plate design. Adjustable mounting plate simplifies installation and minimizes alignment issues by use of leveling plate and threaded leveling jacks.

Horizontal crossbars shall be no less than 4½" outside diameter steel tube with a minimum 0.25" wall thickness and be of a length to allow uprights to extend upward with official high school 23'4" between the upright members.

Two vertical uprights shall rise a minimum of 20' above the top of the crossbar. Uprights shall be constructed of 2³/₈" diameter aluminum with a minimum 0.375" wall thickness. Uprights shall be connected to each end of the crossbar by means of an insert that allows the angle of the uprights to be adjusted at the time of field installation. The insert design shall allow rain to escape through the insert from the top of the uprights.

The crossbar shall be attached to the bent post by means of an adjustable "T" adapter that allows field adjustment of the horizontal crossbar for ease and accuracy of installation.

All steel and aluminum members shall have a powder coated finish (white or safety yellow). All hardware shall be zinc plated grade 5 minimum.

Optional features include safety padding. Shipping weight approximately 1200 lbs per pair.

Specifications—5⁹/₁₆" Gooseneck Collegiate Adjustable Leveling Pad Goalposts

Gooseneck Collegiate Goalposts shall be provided by Draper, Inc., of Spiceland, IN.

Goalposts shall meet all NCAA rules. Goalposts shall be of the single bent post design and provide a minimum of 72" of setback from the front of the post to the front of the horizontal crossbar. The bent post shall be a minimum of 5⁹/₁₆" outside diameter steel tube with a minimum wall thickness of 0.25" and shall have an adjustable mounting plate design. Adjustable mounting plate simplifies installation and minimizes alignment issues by use of leveling plate and threaded leveling jacks.

Horizontal crossbars shall be no less than 4½" outside diameter steel tube with a minimum 0.25" wall thickness and be of a length to allow uprights to extend upward with official collegiate 18'6" between the upright members.

Two vertical uprights shall rise a minimum of 20' above the top of the crossbar. Uprights shall be constructed of 2³/₈" diameter aluminum with a minimum 0.375" wall thickness. Uprights shall be connected to each end of the crossbar by means of an insert that allows the angle of the uprights to be adjusted at the time of field installation. The insert design shall allow rain to escape through the insert from the top of the uprights.

The crossbar shall be attached to the bent post by means of an adjustable "T" adapter that allows field adjustment of the horizontal crossbar for ease and accuracy of installation.

All steel and aluminum members shall have a powder coated finish (white or safety yellow). All hardware shall be zinc plated grade 5 minimum.

Optional features include and safety padding. Shipping weight approximately 1200 lbs per pair.

Specifications—Goalpost Padding

Padding shall meet all NCAA and National High School Federation rules. Foam shall be a minimum of 6" thick and be covered with sewn vinyl covering in 12 colors. Height shall be 72" minimum and be designed to attach by means of Velcro® fasteners to all goalposts up to 5⁹/₁₆" diameter or 4" square. Shipping weight shall be 45 lbs per pair.

VELCRO® is a registered trademark of Velcro Industries B. V.

**Downloadable 3-part specifications
are available at www.draperinc.com.**