

FlexShade 2

Intermediate-Sized Motorized Shades with Your Choice of Hardware Styles and Colors

FlexShade 2 is an intermediate sized shade in between Motorized FlexShade and Colossal FlexShade.

- Available in sizes 3' to 16' wide and up to 30' tall, depending on fabric.
- Spring loaded idler end for easy installation.
- Battens are used to ensure the flattest surface possible.
- Interchangeable ceiling/wall mounting brackets are standard.
- Curved or squared fascia and headbox are available in five colors: clear anodized (standard), white, ivory, black and bronze.
- Wall switch included with each shade, or choose one of our versatile control options. *Details on pages 7 and 8.*
- Available with optional quiet motors, or motors with built-in radio frequency control. *See page 7 for details.*

More detailed information, including dimensions, drawings and specifications available at:
www.draperinc.com/go/FlexShade2.htm



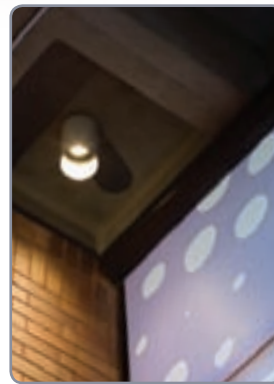
FlexShade 2 and Phifer SheerWeave® 2000 fabric with custom printed graphics at Cultural Center for the Arts, Canton, OH. Dealer: MAK Associates of Ohio, Akron, OH. Architect: Robert Maschke Architects, Cleveland, OH. Photography © Jason Meyer, Feinknopf Photography, Columbus, OH.



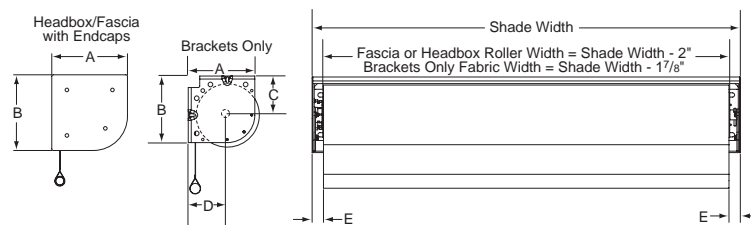
Squared fascia



Curved fascia

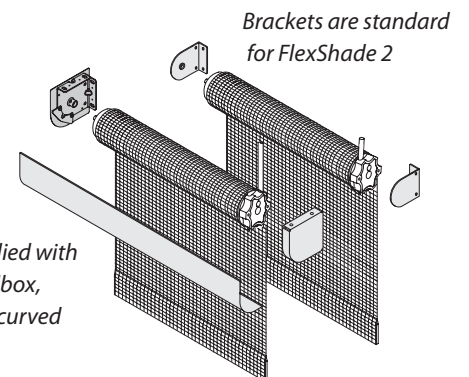
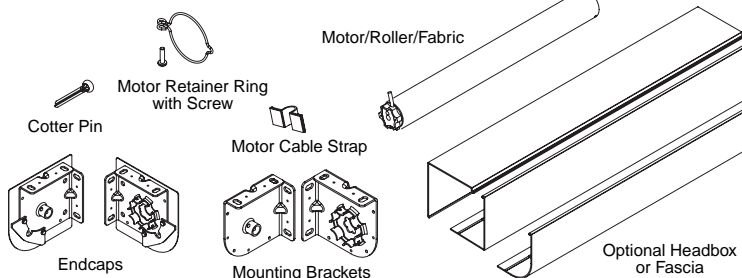


FlexShade 2 Dimensions



	Headbox with Endcaps	Fascia with Endcaps	Brackets Only
A	6 ⁵ / ₈ "	6 ¹ / ₂ "	5 ⁷ / ₁₆ "
B	6 ⁵ / ₈ "	6 ¹ / ₂ "	5 ⁷ / ₁₆ "
C	N/A	N/A	3 ¹ / ₄ "
D	N/A	N/A	3 ¹ / ₄ "
E	1"	1"	1 ⁵ / ₁₆ "

FlexShade 2 Hardware/Parts



Endcaps supplied with optional headbox, or squared or curved fascia