

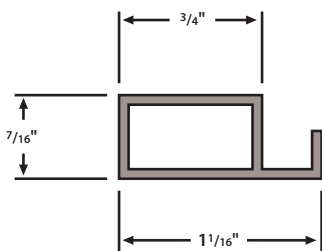
# FlexShade Panels

FlexShade fixed frame panels provide solar filtration at a lower cost than operable solutions. Relieve the discomfort from solar heat and glare often associated with unprotected glazing. They are particularly well suited for skylights and sloped glazing in solariums or odd-shaped openings. (Not suitable for curved framing).

- Help prevent ultraviolet damage to textiles and furniture located in direct sunlight.
- Heavy-duty fixed panels utilize an extruded aluminum frame. Frames are available in dark bronze, white or mill finish aluminum (standard).
- Panels mount easily on surface or within window framing with clips.
- Clips allow removal of FlexShade Panels for routine maintenance and cleaning.
- Available in sizes up to 72" x 126". Panels exceeding 40" in length require center support member.
- Furnished in virtually any of our woven mesh fabrics.

More detailed information, including dimensions, drawings and specifications available at: [www.draperinc.com/go/FlexShadePanels.htm](http://www.draperinc.com/go/FlexShadePanels.htm)

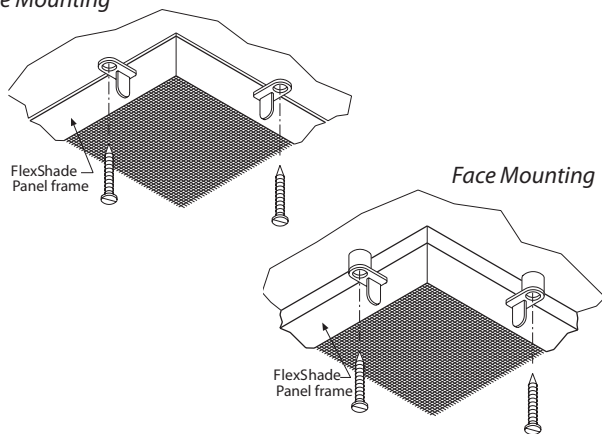
## Typical frame cross-section



Dimensions and details may vary. Frame components at manufacturer's discretion.

## Installation of Interior Panels

### Inside Mounting



FlexShade Panels with Phifer SheerWeave® PW4100 at Riverdale Branch, New York Public Library. Architect: Prendergast Laurel Architects. Installation: JDR Windows. Photography © Bruce Katz. All located in New York, NY.

## Installation of Exterior Panels

FlexShade Panels for exterior use are easy to install. Install mounting channels first. Then, slide fixed panel in from lower end. Install keeper track to secure panel in frame. At maintenance time, simply remove the bottom keeper, and slide out the fixed panel.

