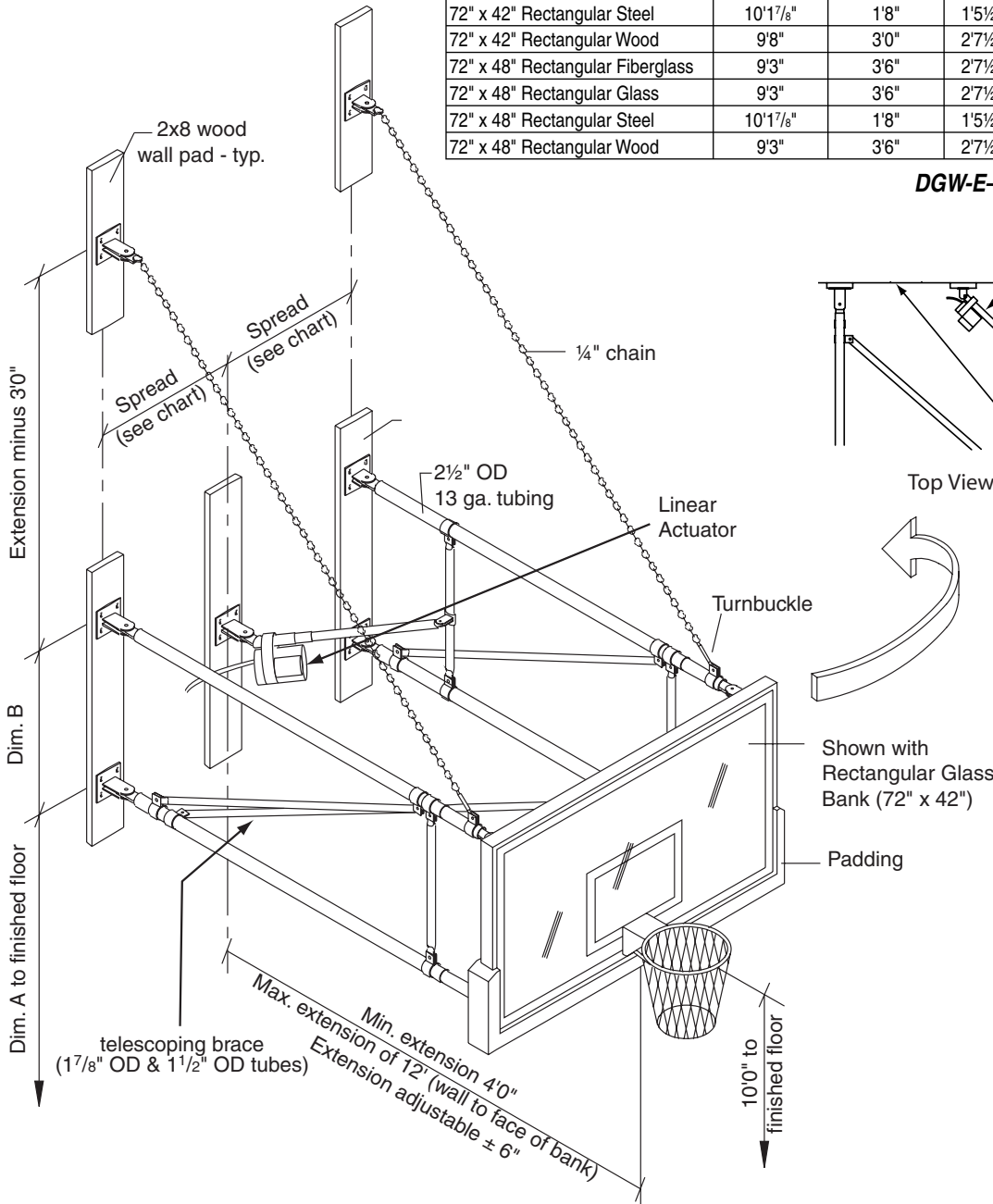


EZ Fold[®] DGW-E

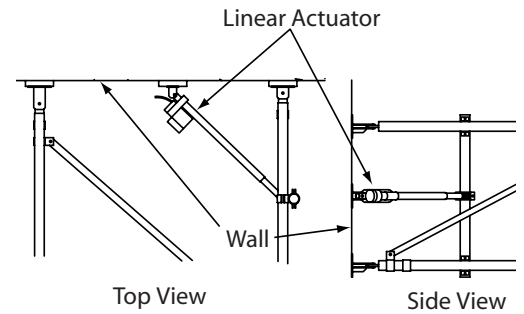
Basketball Backstop—Side-Fold,
Wall-Mounted, Electric Operation by



Style of Bank	Without Height Adjuster			With Height Adjuster		
	Dimension A	Dimension B	Spread	Dimension A	Dimension B	Spread
Fan Aluminum	9'9 ³ / ₄ "	1'8"	1'5 ¹ / ₂ "	9'11 ¹ / ₂ "	3'0"	1'5 ¹ / ₂ "
Fan Fiberglass	10'1 ³ / ₄ "	1'8"	1'5 ¹ / ₂ "	10'0"	3'0"	1'5 ¹ / ₂ "
Fan Glass	10'1 ¹ / ₂ "	1'8"	1'5 ¹ / ₂ "	9'11 ³ / ₄ "	3'0"	1'5 ¹ / ₂ "
72" x 42" Rectangular Fiberglass	9'9"	3'0"	2'7 ¹ / ₂ "	9'10 ¹ / ₂ "	3'0"	1'5 ¹ / ₂ "
72" x 42" Rectangular Glass	9'9"	3'0"	2'7 ¹ / ₂ "	9'10 ¹ / ₂ "	3'0"	1'5 ¹ / ₂ "
72" x 42" Rectangular Steel	10'1 ⁷ / ₈ "	1'8"	1'5 ¹ / ₂ "	10'0 ¹ / ₈ "	3'0"	1'5 ¹ / ₂ "
72" x 42" Rectangular Wood	9'8"	3'0"	2'7 ¹ / ₂ "	9'9 ¹ / ₂ "	3'0"	1'5 ¹ / ₂ "
72" x 48" Rectangular Fiberglass	9'3"	3'6"	2'7 ¹ / ₂ "	9'10 ¹ / ₂ "	3'0"	1'5 ¹ / ₂ "
72" x 48" Rectangular Glass	9'3"	3'6"	2'7 ¹ / ₂ "	9'10 ¹ / ₂ "	3'0"	1'5 ¹ / ₂ "
72" x 48" Rectangular Steel	10'1 ⁷ / ₈ "	1'8"	1'5 ¹ / ₂ "	10'0 ¹ / ₈ "	3'0"	1'5 ¹ / ₂ "
72" x 48" Rectangular Wood	9'3"	3'6"	2'7 ¹ / ₂ "	9'10 ¹ / ₂ "	3'0"	1'5 ¹ / ₂ "



DGW-E—Folding Operation



Draper offers a 25-year limited warranty on the EZ Fold basketball backstop structure. No other basketball backstop manufacturer offers you this protection. For a copy of the EZ Fold backstop warranty in its entirety, contact Draper, Inc.



411 S. Pearl St., Spiceland, IN 47385 USA ■ 765-987-7999
www.draperinc.com ■ fax 765-987-7142

Copyright © 2010 Draper Inc. Form EZ-DGW-E_Sub10 Printed in U.S.A.

PROJECT: _____

ARCHITECT: _____

CONTRACTOR: _____

SUPPLIER: _____

DATE: _____ REVISED: _____

Specifications—EZ Fold DGW-E

Wall-Mounted, Side-Folding, Electrically-Operated Backstop

Product Description

Basketball backstop shall be the EZ FOLD Model DGW-E, wall-mounted side-folding backstop by Draper, Inc. of Spiceland, IN.

Extension frame shall be constructed of (4) 2½" (6.35 cm) 13-gauge and 2¼" (5.715 cm) 14-gauge steel tubes terminating in fabricated steel hinge plates. Hinges shall be offset type to allow backstops to fold against the wall. The frame shall be attached to the wall and the bank with eight pivot assemblies, and shall be supported in the playing position by two ¼" (6.35 mm) welded-link chains with turnbuckles for leveling. Backstop shall fold gate-style on the hinge assemblies, left to right or right to left toward the wall. Frame shall be adjustable for a plus or minus 6" (15.24 cm) variation of distance from face of bank to wall.

Frames shall be further braced by horizontal 1½" (3.81 cm) OD 11-gauge tubes terminating in precision die-formed clamps. Frames shall be have a black or white powder coat finish. Other colors optionally available. Contact Draper for details.

Operation: Direction of fold may be determined at time of installation by placement of the offset hinge brackets. Backstop shall be folded in and out of playing position by means of a telescoping, electrically operated linear actuator, running diagonally from precision die-formed clamps on the backstop frame to a wall-mounted pivot assembly. Electrically operated 110-120-volt single-phase linear actuator provides smooth reversible motion for loads up to 600 lbs. Available with standard key switch, EZ Power wireless remote or EZ Stick power wand operation.

Backstop shall be provided with 2 x 8 (5.08 cm x 20.32 cm) southern yellow pine wall pads at wall attachment points. All edges shall be chamfered and pads shall be finished with high gloss polyurethane.

Options

Backstop can be provided with any of several different styles of backboards, goals and padding. Specify types desired. See separate sheets.

Accessories

Height Adjusters (for complete specifications, see separate sheets):

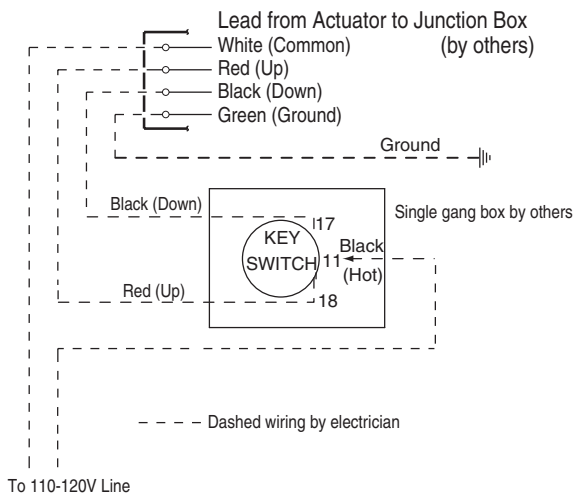
- 503093**— For motorized 8'-10' (244 cm-305 cm) height adjustment of rectangular bank.
- 503097**— For motorized 8'-10' (244 cm-305 cm) height adjustment of fan bank.
- 503095**— For motorized 8'-10' (244 cm-305 cm) height adjustment of rectangular bank with wireless remote control.
- 503098**— For motorized 8'-10' (244 cm-305 cm) height adjustment of fan bank with wireless remote control.
- 503096**— For motorized 8'-10' (244 cm-305 cm) height adjustment of rectangular bank with EZ Stick Power Wand.
- 503099**— For motorized 8'-10' (244 cm-305 cm) height adjustment of fan bank with EZ Stick Power Wand.
- 503092**— For manual 8'-10' (244 cm-305 cm) height adjustment of rectangular backboards.
- 503094**— For manual 8'-10' (244 cm-305 cm) height adjustment of fan backboards.

LEED® Submittal Information

Credit	Measure	
MRc4 – Recycled Content	Post Consumer Average 26.90%	Post Industrial 0%
MRc5 – Regional Materials	Raw materials are commodity items from multiple sources so extraction point cannot be determined. Final Manufacturing/Assembly in Spiceland, IN 47385.	

**Downloadable 3-part specifications
are available at www.draperinc.com.**

DGW-E—Wiring Diagram



Circuit breaker rated amp. 20 amp.
Fused circuit rated amp. 20 amp.
Minimum Wire Size
90' maximum run. 12 ga.
90' to 140' run. 10 ga.
Over 140'. 8 ga.
Sizes of wall masonry boxes required for single and ganged key switches-- All boxes 2" deep and 4" high.

Key Switch Diagram

