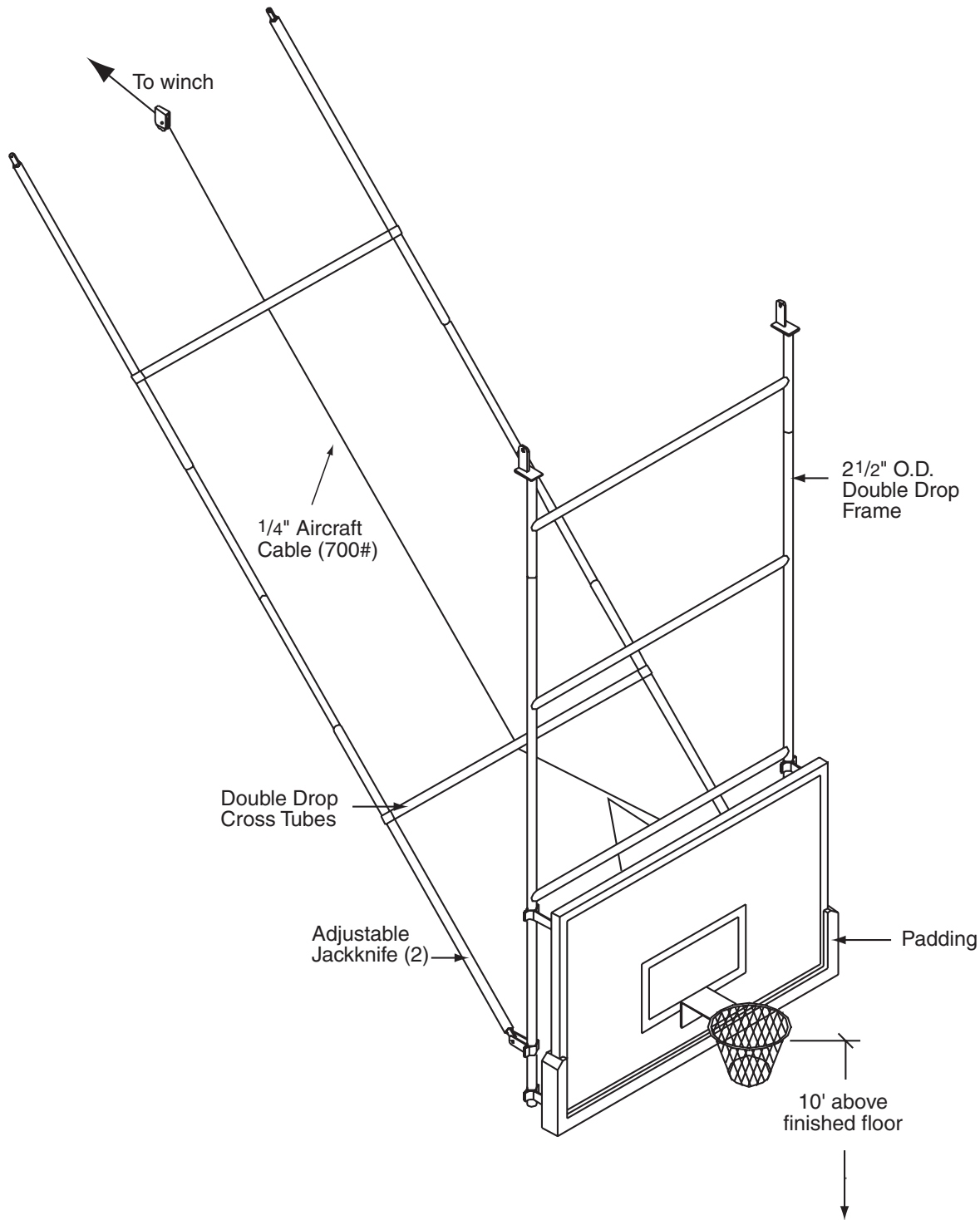


EZ Fold[®] DDTB-25C

Basketball Backstop—Dual Post,
Ceiling Suspended, Rear-Folding,
Rear Braced, Compact

by **DRAPER**



PROJECT:	_____
ARCHITECT:	_____
CONTRACTOR:	_____
SUPPLIER:	_____
DATE:	_____
REVISED:	_____

DRAPER

EZ Fold® DDTB-25C

Basketball Backstop—Dual Post, Ceiling Suspended, Rear-Folding, Rear Braced, Compact

page 2 of 2

Specifications—EZ-DDTB-25C

Dual Post, Ceiling Suspended, Rear-Folding, Rear Braced, Compact Basketball Backstop

Product Description

_____ Backstops shall be EZ FOLD Model DDTB-25C, Ceiling-suspended, Double-Drop, Compact, Rear Fold by Draper, Inc., of Spiceland, Ind.

Backstop shall use a special hinge arrangement allowing upper frame to jack-knife forward, folding in less space than conventional backstops.

The main backstop frame shall consist of 2½" O.D. drop pipes spaced on 5'9" centers, allowing view of pipes to be obscured by vertical perimeter markings on rectangular glass banks. Frame will be braced horizontally above the bank, using 2½" O.D. spreaders spaced on approximately 4' centers. All vertical and horizontal pipe connection points shall be die cut and welded, providing maximum strength and vibration resistance. Steel bank attachment fittings shall meet NCAA and NFSHSA regulations of 6" from frame front to backboard face.

The EZ-Fold Model DDTB-25-C shall be suspended using 2⅜" steel plate hangers. Support hangers will be offset 2" from frame center, properly weighting the unit to lock it in playing position.

The folding rear braces shall be jackknife (knee joint) type, fully adjustable and constructed of 2½" O.D. 13-gauge (outer) steel tubing and 2¼" O.D. gauge (inner) steel tubing. The backstop shall be supported from 4" O.D. 11-gauge steel mechanical tubing anchored to roof structure using heavy steel support hangers. Pivot or hinge joint (pin height) for folding shall not exceed 15" from roof structure except when required by architect for coordination with other trades. The backstop frame shall pivot on ¾" self-lubricating brass bushings secured in a milled bearing hole in steel plate hangers to insure accurate positioning of bank.

Backstop shall have a black or white powder coat finish. Other colors optionally available: contact Draper for details.

Backstop is raised or lowered by a ¼" (6.35 mm) aircraft cable, certified minimum break strength of 7,000 pounds (3178 kg), operating over aluminum alloy sheaves with bronze oilite bearings that do not require lubrication.

Operation: Backstop shall be operated by 503085 motorized winch or 503086 manually operated winch. For complete specifications, see separate sheets.

Options

Backstop can be provided with any of several different styles of backboards, goals and padding. Specify types desired. See separate sheets.

Accessories

Smart Gym Control System. For group control of Basketball Backstops with Electric Winches, Electric Divider Curtains, Electric Height Adjusters and other Auxiliary Devices. For complete specifications, see separate sheet.

503023 EZ Power Wireless Remote Control. For remote control operation of electric winch. For complete specifications, see separate sheet.

503029 Posilok™—Safety belt to automatically lock basketball backstop in position due to a sudden surge of speed created by a possible malfunction of the hoisting apparatus. For complete specifications, see separate sheet.

Height Adjusters (see separate sheets):

503093— For motorized 8'-10' Height Adjustment of rectangular bank.

503097— For motorized 8'-10' Height Adjustment of fan bank.

503095— For motorized 8'-10' Height Adjustment of rectangular bank with wireless remote control.

503098— For motorized 8'-10' Height Adjustment of fan bank with wireless remote control.

503096— For motorized 8'-10' Height Adjustment of rectangular bank with EZ Stick Power Wand.

503099— For motorized 8'-10' Height Adjustment of fan bank with EZ Stick Power Wand.

503092— For manual 8'-10' height adjustment of rectangular backboards.

503094— For manual 8'-10' height adjustment of fan backboards.

A0490—Portable Operator—To operate manual winch with heavy-duty electric drill. For complete specifications, see separate sheet.