

EZ Fold® A0267

Official 72" x 42" Rectangular
Steel Basketball Backboard

by DRAPER

Specifications—EZ Fold A0267

Official 72" x 42" Rectangular Steel Basketball Backboard

Product Description

A0267 Backboard shall be 72" x 42", constructed of a single piece of 12 gauge steel reinforced with four 12 gauge horizontal channel sections, and one heavy 10 gauge vertical channel. The shell shall have a ½" deep flange. All reinforced sections shall be welded to the main outer shell and to each other to make a single, vibration-free unit.

Mounting keyhole type slots shall be positioned in center of horizontal reinforced channels located on 20" vertical and 35" horizontal centers (standard fan shaped backboard mounting).

Bank shall be finished with a prime coat and two finished coats of special, white, non-glare enamel and orange perimeter and target area markings. Goal reinforcing channel shall have mounting holes (4) at 5" (horizontal) x 5" (vertical). Use Draper, Inc. No. A0576 Breakaway Goal, No. A0581 Breakaway Goal with Tube-Tie Attachment, No. A0570 Standard Goal or No. A0572 Heavy-Duty Goal.

Lifetime Limited Warranty

Backboard shall have a Lifetime Limited Warranty when installed on an EZ Fold basketball backstop with Goal Brace or Direct Mount Height Adjuster.

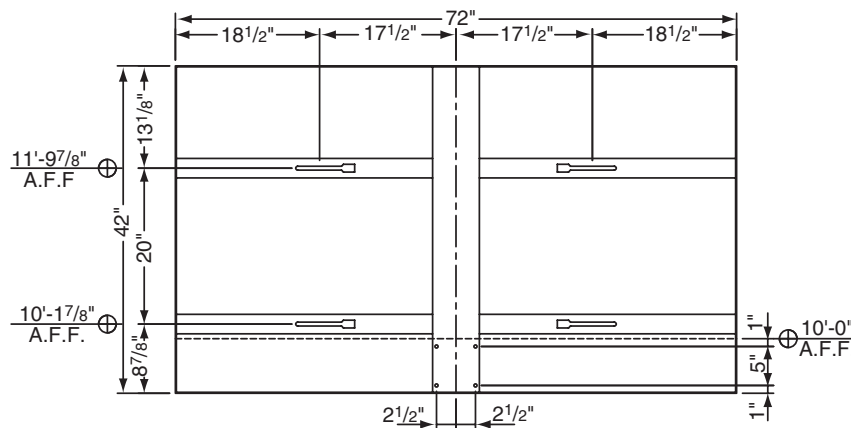
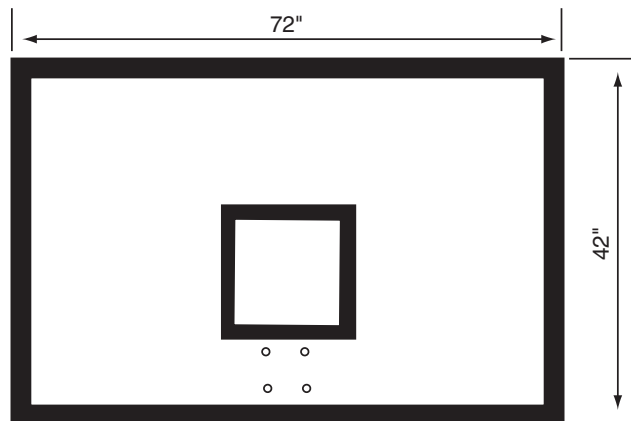
Optional 503264 Backboard Safety Padding

Padding to protect bottom and 15" up each side of the backboard to meet all NCAA, NFSHSA and professional requirements.

Padding of a durable neutral gray, open cell foam material providing full 2" thickness from the bottom and sides of backboard frame. Front and back surfaces of backboard frame shall be further protected by a 1" thick lip extending ¾" up from bottom and sides of backboard.

Padding shall be permanently secured to the backboard frame by an easily applied high strength glue. Glue and brush provided.

For use with all rectangular shaped wood, fiberglass, steel and aluminum backboards.



DRAPER

411 S. Pearl St., Spiceland, IN 47385 USA ■ 765-987-7999
www.draperinc.com ■ fax 765-987-7142

Copyright © 2007 Draper Inc. Form EZ-A0267_Sub07 Printed in U.S.A.

PROJECT: _____

ARCHITECT: _____

CONTRACTOR: _____

SUPPLIER: _____

DATE: _____ REVISED: _____