

EZ Fold[®] A0135

Official 54" x 35½"
Fan Aluminum
Basketball Backboard

by DRAPER

Specifications—EZ Fold A0135

Official 54" x 35½" Fan Aluminum
Basketball Backboard

Product Description

A0135 Cast aluminum backboard shall be official size (54" x 35½") and shape. For use with EZ Fold indoor or outdoor backstops. Bank shall be cast in a permanent mold process from high tensile #319 aluminum.

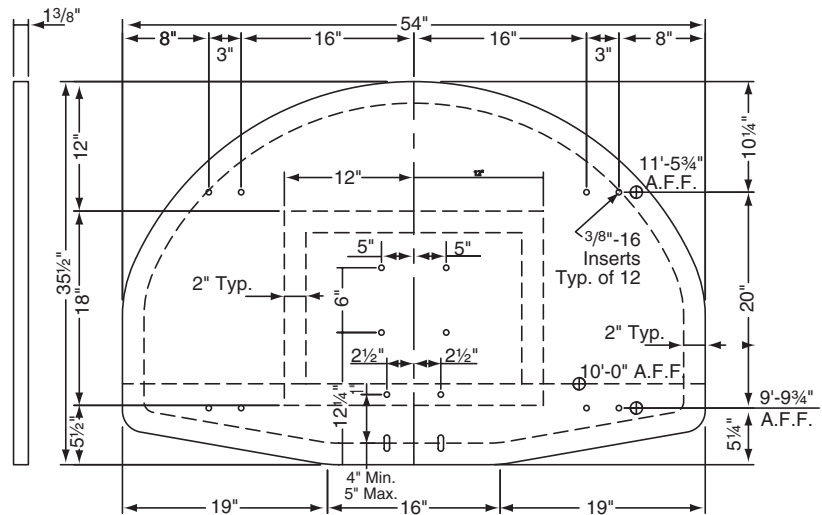
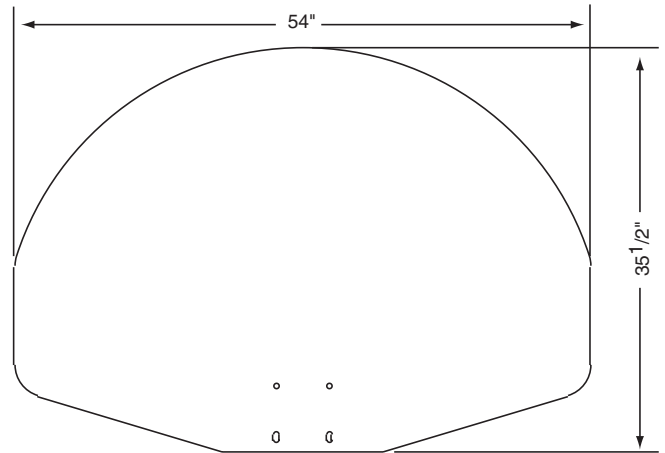
Backboard shall be cast with structural reinforcing ribs on backside with a heavy, 1⅜" deep perimeter flange to provide maximum strength. Back side of bank shall be furnished with twelve (12) tapped holes (⅜"-16) to fit standard mounting attachment without exposed bolt heads on face of backboard.

Backboard shall be finished with a special white, non-glare enamel.

Backboard shall be drilled for a front mount type goal (5" horizontal x 4½" vertical). Use Draper, Inc. No. A0576 Breakaway Goal, No. A0581 Breakaway Goal with Tube-Tie Attachment, No. A0570 Standard Goal or No. A0572 Heavy-Duty Goal.

Lifetime Limited Warranty.

Backboard shall be covered by a Lifetime Limited Warranty. Contact Draper to request full warranty text.



DRAPER

411 S. Pearl St., Spiceland, IN 47385 USA ■ 765-987-7999 ■ fax 765-987-7142
e-mail draper@draperinc.com ■ www.draperinc.com

Copyright © 2004 Draper Inc.

Form EZ-A0135_Sub04-R

Printed in U.S.A.

PROJECT: _____

ARCHITECT: _____

CONTRACTOR: _____

SUPPLIER: _____

DATE: _____ REVISED: _____