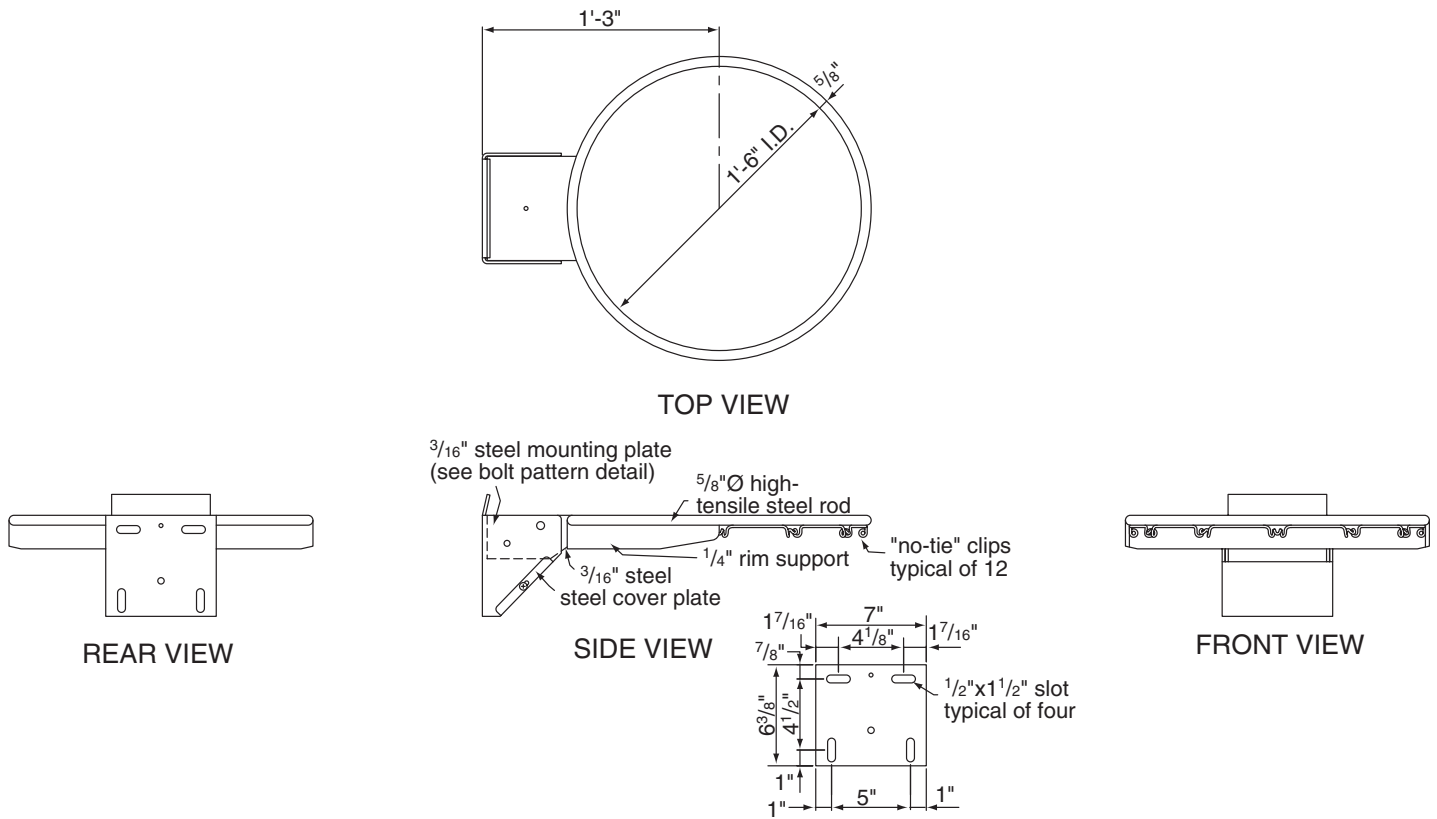


EZ Fold[®] 503576

Breakaway Basketball Goal by

DRAPER



Specifications—EZ Fold 503576
Breakaway Basketball Goal with Hardware and Net

Product Description

503576 breakaway goal is designed to withstand shock loads due to a player slam dunking and/or hanging on the rim. The rim shall deflect down when a static load of 230 pounds is applied. The rim will return to the playing position once the load is removed.

The function of the breakaway goal shall meet NCAA specifications which state "A movable basket ring shall have rebound characteristics identical to those of a non-moveable ring." Goal shall be set at factory for proper flex and rebound requirements.

Rim shall be fabricated from a 5/8" diameter steel rod formed into an 18" inside diameter ring. Inside of ring shall be positioned 6" from the face of backboard by a heavy-duty mounting plate with mounting holes centered to match 5" x 5" or 5" x 4" backboard mounting holes. Goal will mount on standard glass, fiberglass and wood banks.

Rim shall be rigidly braced by means of die cut steel braces formed and welded to underside of rim for maximum support. Goal shall be provided with twelve "no tie" net attachment clips, welded to rim for net attachment.

Goal shall be painted in an official durable orange powder coat. Goal shall be furnished with zinc plated mounting hardware and high quality white nylon anti-whip net. The top half of the anti-whip net is made of durable fibers encased in tough 100% nylon, preventing the net from whipping up on the rim. The lower half is all nylon.

DRAPER[®]

411 S. Pearl St., Spiceland, IN 47385 USA ■ 765-987-7999
www.draperinc.com ■ fax 866-637-5611

Copyright © 2010 Draper Inc. Form EZ-503576BreakawayGoal_Sub10 Printed in U.S.A.

PROJECT: _____

ARCHITECT: _____

CONTRACTOR: _____

SUPPLIER: _____

DATE: _____ REVISED: _____