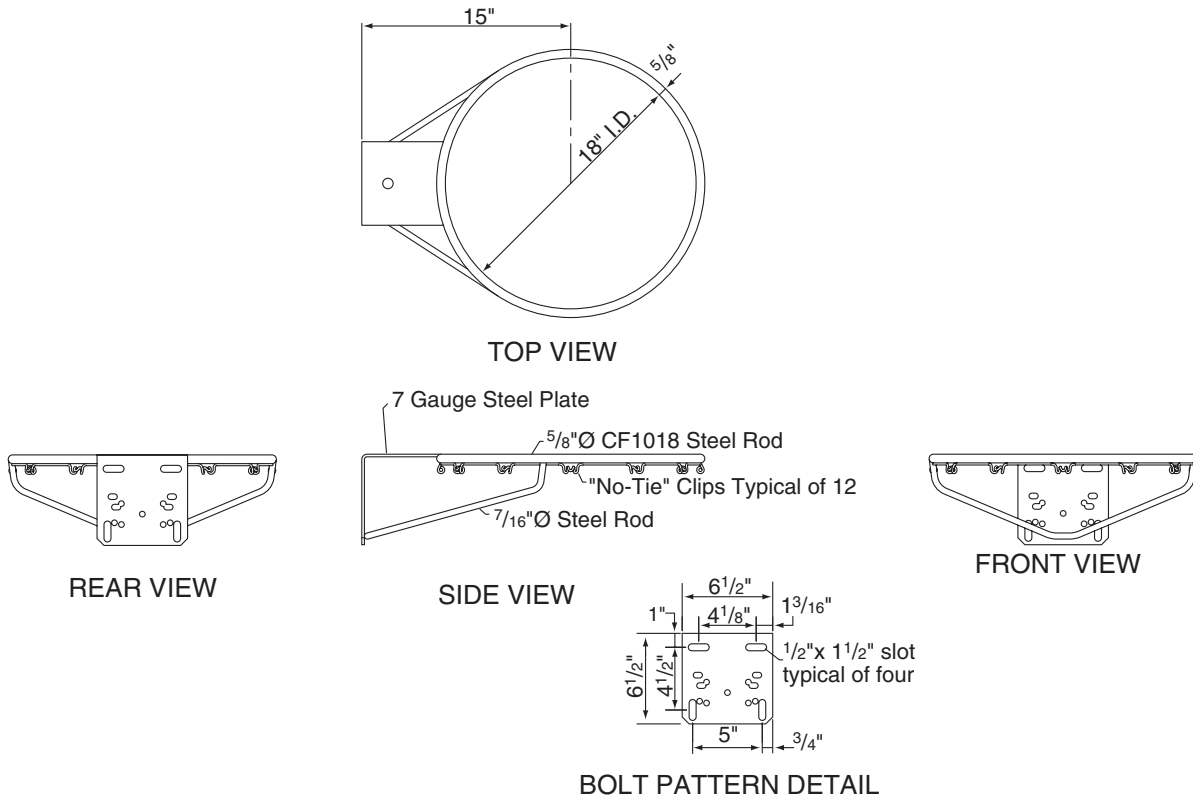


EZ Fold[®] 503570

Stationary Basketball Goal

by DRAPER



Specifications—EZ Fold 503570
Stationary Basketball Goal with Hardware and Net

Product Description

503570 rim shall be fabricated from a 5/8" diameter steel rod formed into an 18" inside diameter ring. Inside of ring shall be positioned 6" from the face of backboard by a heavy-duty mounting plate with mounting holes centered to match 5" x 5" or 5" x 4" backboard mounting holes. Goal will mount on standard glass, fiberglass, aluminum, steel and wood banks.

Rim shall be rigidly braced by means of a 7/16" diameter steel rod, welded to rim and mounting plate, for maximum support. Goal shall be provided with twelve "no tie" net attachment clips, welded to rim for net attachment.

Goal shall be painted in an official durable orange powder coat.

Goal shall be furnished with zinc plated mounting hardware and high quality white nylon net.



411 S. Pearl St., Spiceland, IN 47385 USA ■ 765-987-7999
 www.draperinc.com ■ fax 866-637-5611

Copyright © 2010 Draper Inc. Form EZ-503570-StationaryGoal_Sub10 Printed in U.S.A.

PROJECT: _____

ARCHITECT: _____
CONTRACTOR: _____
SUPPLIER: _____
DATE: _____ REVISED: _____