

EZ Fold[®] 503156

Official 72" x 48" Rectangular
Glass Backboard with Strut

by DRAPER

Specifications—EZ Fold 503156 EZ Strut Bank
Official 72" x 48" Rectangular Glass Basketball
Backboard

Product Description

Backboard shall be 72" x 48" to meet all NCAA and NFHSA requirements, for use with Wall-Mounted, Double-Drop and other four-corner mount backstops.

Backboard frame of a heavy, brushed aluminum extrusion for maximum durability. Extended frame section of high tensile aluminum (6063-TS). Ends of the frame extrusions mitered and fitted with a flush, plated steel gusset type mounting bracket on all four corners, incorporating keyhole slots for mounting the backboard to the support structure at standard mounting centers.

Frame shall include a vertical center strut to transmit undue loading during slam-dunks, etc. directly through the glass and into the strut frame to alleviate stress on the glass.

Goal mounting structure of a heavy, formed steel assembly which is secured to the lower horizontal frame member to minimize stress on the glass section. Special steel sleeves provided at the goal mounting hole locations to secure rear structure to front mounting plate to form a unitized assembly to minimize shock to the glass. Entire frame including goal mounting structure fitted with a shock absorbing neoprene material to cushion and protect the glass section.

Glass ½" thick, fully tempered (heat-treated) glass section with uniform load and impact strength. Official white border and target area is "fired in" permanently on front side of glass section so that it cannot wear away.

Goal mounting holes (4) to be standard 5" (horizontal) x 5" (vertical) mounting centers. **503156 is not compatible with a direct goal attachment.**

Backboard net weight shall be 220 lbs.

Backboard shall have a lifetime limited warranty when installed on an EZ Fold basketball backstop. Contact Draper to request full warranty text.

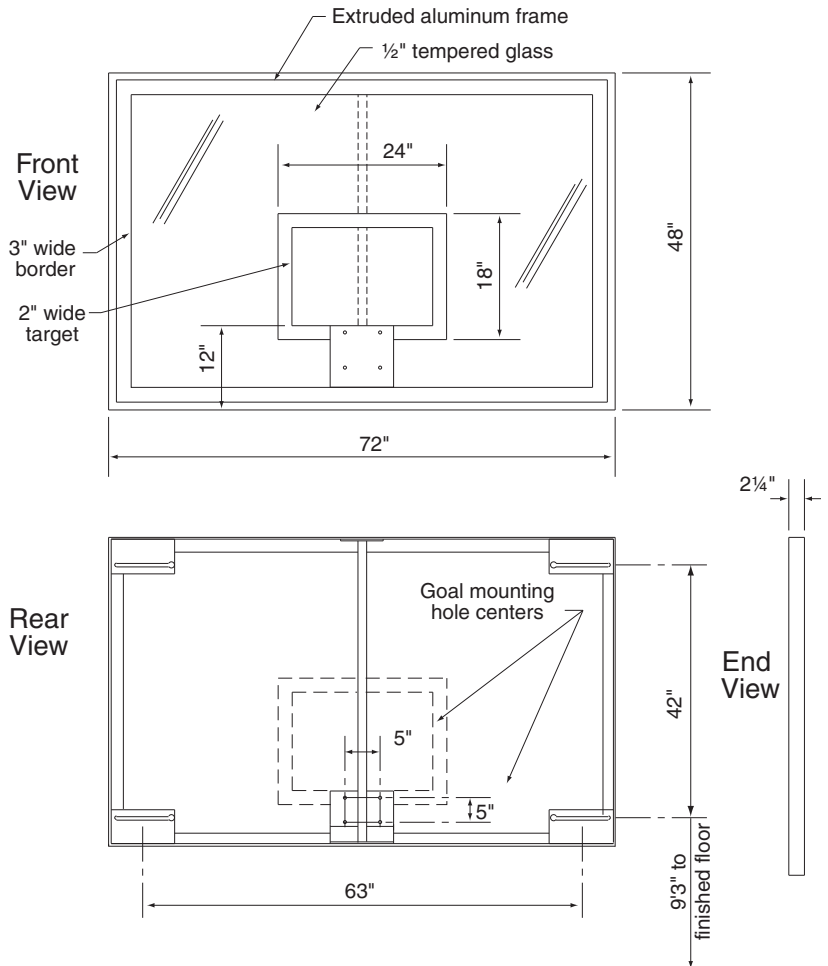
Optional 503253 Backboard Safety Padding

Optional padding shall protect the bottom and 15" up each side of the backboard to meet all NCAA, NFHSA, and professional requirements.

Padding of a durable neutral gray, open cell foam material providing a full 2" thickness from the bottom and sides of the backboard frame. Front and back surfaces of the backboard frame further protected by a 1" thick lip extending ¾" up from bottom and sides of backboard.

Padding shall be permanently secured to the backboard frame by an easily applied high strength glue. Glue and brush provided.

NOTICE: 72" x 48" Backboards should not be used for new construction or major renovations. All basketball sanctioning bodies require or recommend the use of 72" x 42" backboards for new installations or replacements.



5032XX Backboard Padding Kit
(Optional Equipment)

New molding process produces a super tough "skin" on the outside of the foam padding for long life. Pre-molded square corners for improved player safety. Molded-in steel track and bolt-on attachment system eliminate frustrating regluing or taping.

Fits all official rectangular glass backboards.

Meets or exceeds all NCAA and High School Federation specifications. Available in NCAA-approved gray color. Also available in Dark/Royal Blue, Red/Scarlet, Navy, Marine/Columbia Blue, Kelly Green, Yellow/Gold, Forest Green, Orange, Purple, Black, and Maroon.

5-year warranty when installed indoors.



411 S. Pearl St., Spiceland, IN 47385 USA ■ 765-987-7999
www.draperinc.com ■ fax 765-987-7142

Copyright © 2010 Draper Inc. Form EZ-503156_Sub10-R Printed in U.S.A.

PROJECT: _____

ARCHITECT: _____

CONTRACTOR: _____

SUPPLIER: _____

DATE: _____ REVISED: _____