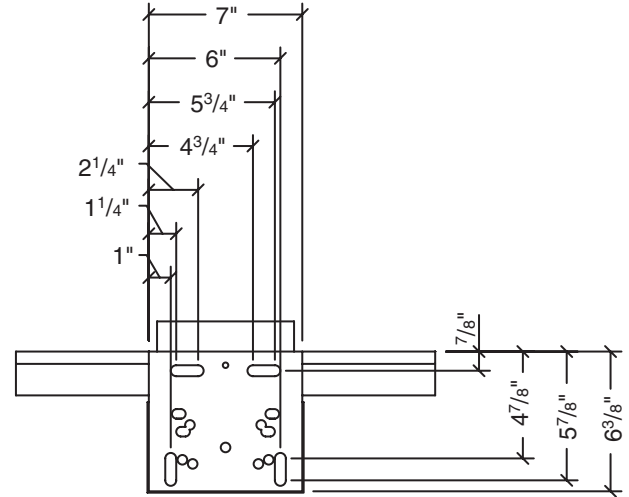
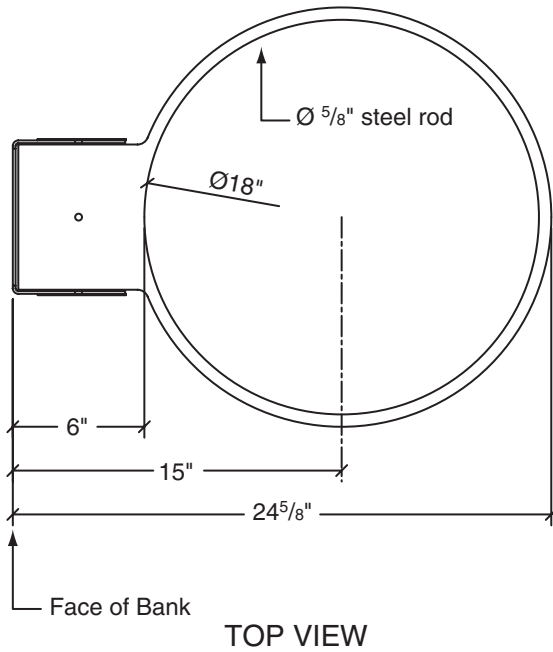


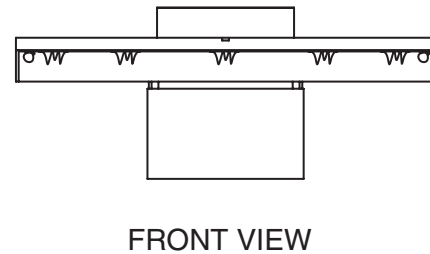
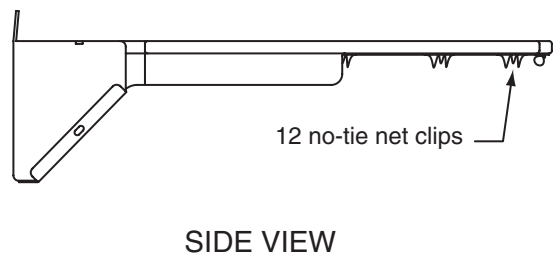
EZ Fold® 503079

Outdoor Breakaway Basketball Goal with Nylon Net

by DRAPER



* All slots dia. 1/2" *



Specifications—EZ Fold 503079 Outdoor Breakaway Basketball Goal with Nylon Net

Product Description

Breakaway goal is designed to withstand shock loads due to a player slam-dunking and/or hanging on the rim. Breakaway action shall be provided by a compression spring. A steel cover plate shall enclose breakaway mechanism. The rim will return to playing position once the load has been removed.

The ring shall be an official size 5/8" diameter high strength steel supported by a 3/16" x 1" support that is welded around 180° of the bottom of the ring. Inside the ring shall be positioned 6" from the face of the backboard by a 3/16" mounting plate with holes to attach to virtually any front mount backboard. Goal shall have one-piece continuous wire net attachment system. Goal shall be supplied with zinc plated mounting hardware and a heavy-duty nylon net. Goal shall have an orange powder coat finish.

Goal shall weigh approximately 27 lbs. and is covered by a one-year warranty.

DRAPER

411 S. Pearl St., Spiceland, IN 47385 USA ■ 765-987-7999 ■ fax 765-987-7142
e-mail draper@draperinc.com ■ www.draperinc.com

Copyright © 2004 Draper Inc. Form EZ-503079_Sub04 Printed in U.S.A.

PROJECT: _____

ARCHITECT: _____

CONTRACTOR: _____

SUPPLIER: _____

DATE: _____ REVISED: _____