

503016 Portable Recreational Basketball System by DRAPER

Specifications—503016 Portable Recreational Basketball System

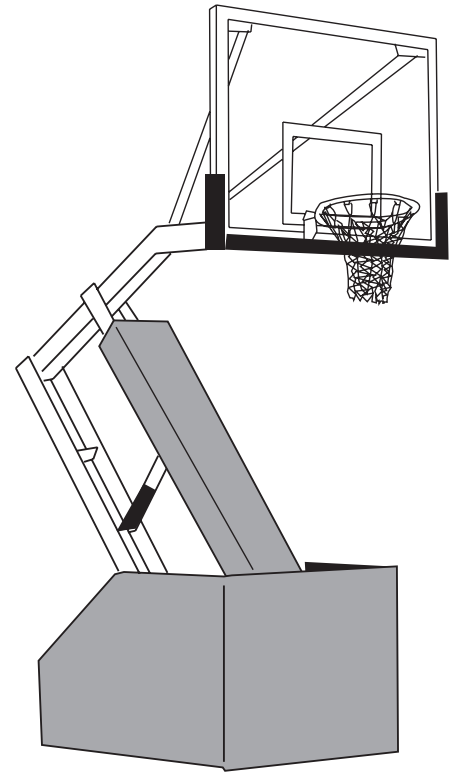
Portable Recreational Basketball System shall be Model No. 503016 provided by Draper, Inc., of Spiceland, IN.

503016 Portable Recreational Basketball System shall provide a 42" x 54" glass backboard and competition breakaway goal on a fully padded portable base. Face of backboard shall be 54" from the front of the padded base when rim is set at 10' playing height. Backboard shall be ½" tempered glass with official white border and target and extruded aluminum frame. Backboard shall be designed so that the basketball rim mounts through the glass into the horizontal extension of the base to reduce stress on the glass during play. Breakaway goal shall have no-tie net attachment. Backboard padding shall be bolt-on molded urethane with steel inserts molded into the padding.

Backboard and goal shall be suspended by means of a pivoting, welded steel structure that uses extension spring technology to counterbalance the weight of the backboard and goal to raise and lower the goal for play and storage. Primary structural steel components shall be a minimum of 4" x 4" and 4" x 2" tubing. All pivot points to facilitate lowering for storage shall be 1¼" steel pivot pins riding on oil impregnated bronze bearings. Welded base shall provide a fully enclosed ballast compartment that is properly loaded with ballast at the factory. Goal shall be raised and lowered by one person and locked at the desired rim height or storage position by means of a telescoping height adjustment mechanism that has permanent rim height markings. Rim shall be capable of height settings from 8' to 10' in 6" increments. All steel components shall have a white powder coated finish. Entire basketball system shall rest on the floor when in the storage position on four (4), 8" diameter, 2" wide urethane casters. When rolled into playing position, front of system shall be lifted from the front wheels onto two urethane stabilizer pads. Stabilizer pads shall be independently lowered by means of a threaded lead screw located at the top front corners of the base.

Entire front and sides of the base and front of the structural upright shall be padded a minimum of 2" thick in choice of 12 colors. Rear hold-downs are optional accessories. System weight shall be approximately 1550 pounds.

Components shall carry the following minimum warranties. Backboard, limited life-time; structure, 10-year limited; padding, 1-year and breakaway goal, 1 year.



Please Mark Appropriate Selections

Select Options

- Optional Rear Hold-Downs

Select Padding Color

- Royal Blue
- Scarlet
- Black
- Maroon
- Navy*
- Forest Green*
- Gold*
- Purple*
- Orange*
- Kelly Green*
- Columbia Blue*
- Grey*

* These colors may require longer lead time. Contact Draper, Inc. for details.

DRAPER®

411 S. Pearl St., Spiceland, IN 47385 USA ■ 765-987-7999

www.draperinc.com ■ fax 765-987-7142

Copyright © 2009 Draper Inc. Form 503016-PortableBasketball_Sub09 Printed in U.S.A.

PROJECT: _____

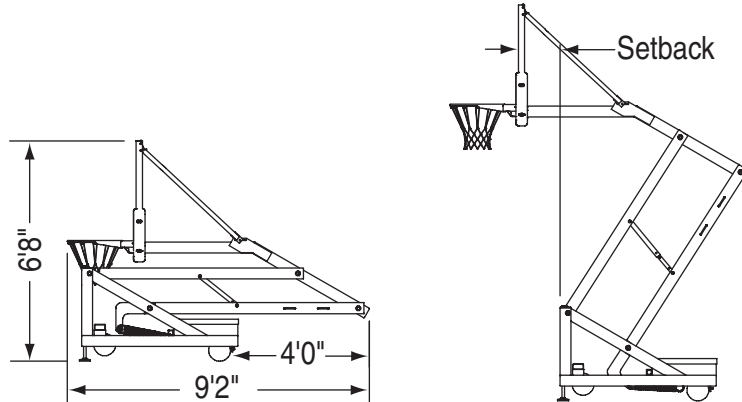
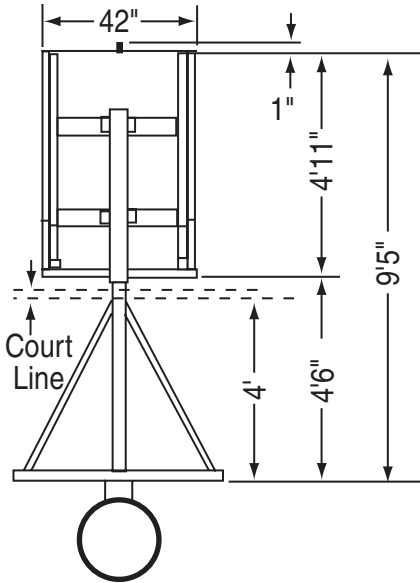
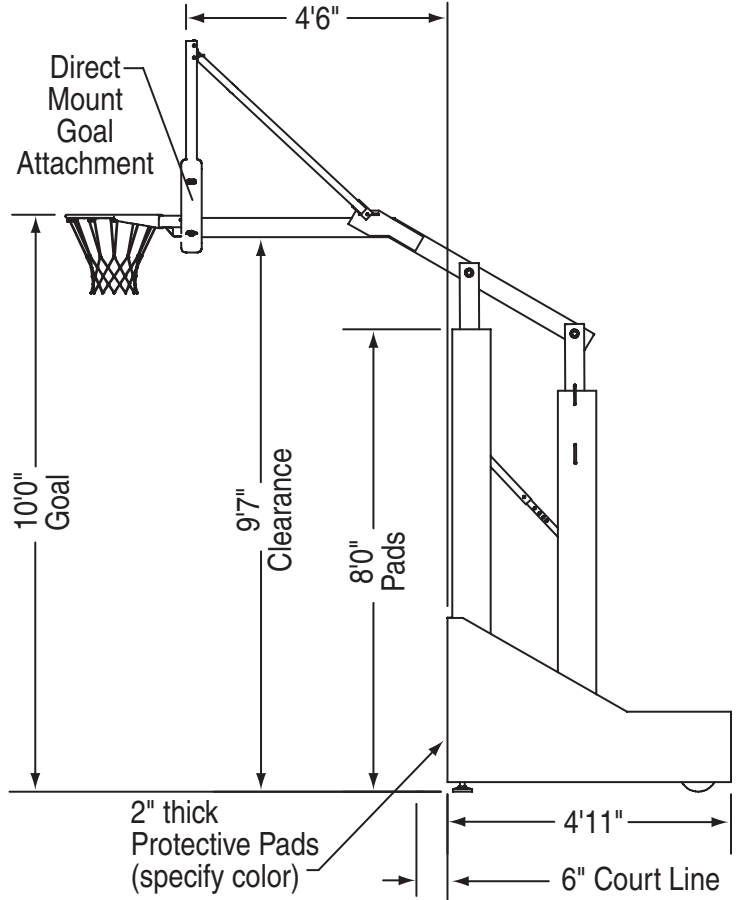
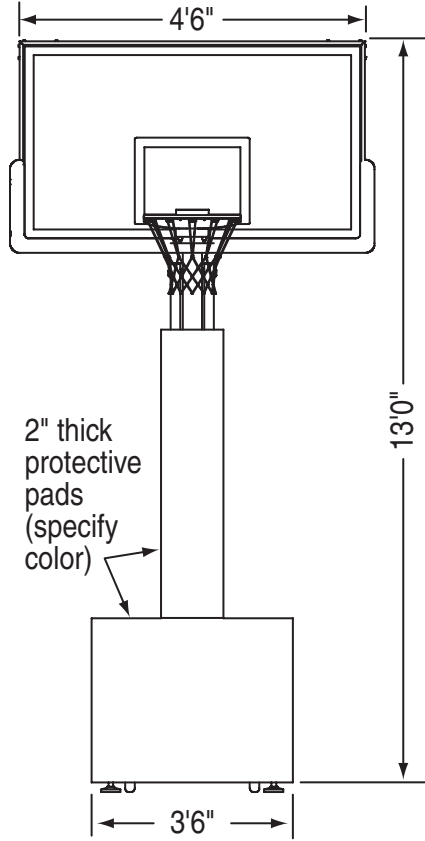
ARCHITECT: _____

CONTRACTOR: _____

SUPPLIER: _____

DATE: _____ REVISED: _____

Dimensions—503016 Portable Recreational Basketball System



Approximate Face-of-Bank to Pad Setback

Height	Setback
10'	54"
9'	13"
8'	0"