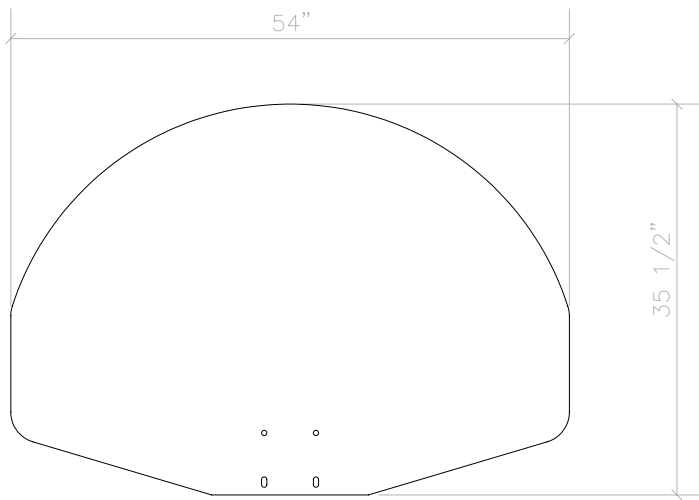
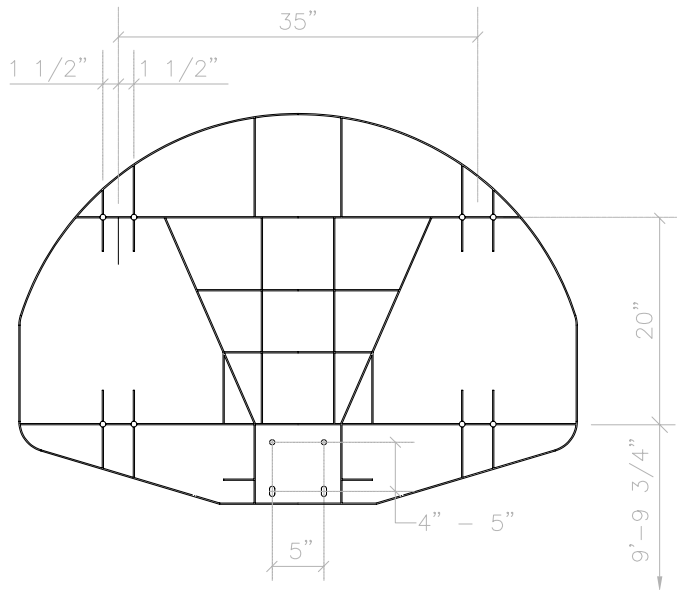


FRONT VIEW
W/STRIPING
#A0133

2" WIDE BRIGHT
ORANGE TARGET
AND BORDER



FRONT VIEW
W/O STRIPING
#A0135 - WHITE
503042 - NATURAL ALUM



REAR VIEW



END VIEW

DRAPER

A0133/A0135/503042 Fan Alum Bank

DRAPER, Inc., 411 S. Pearl Street, Spiceland, Indiana 47385
EMAIL drapercontract@draperinc.com, PH 765-987-7999, FAX 866-637-5611