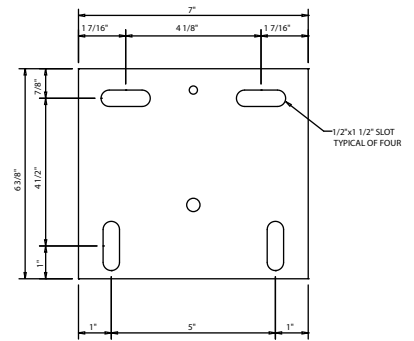
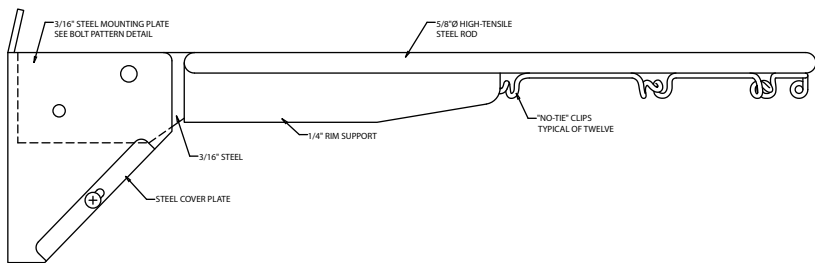


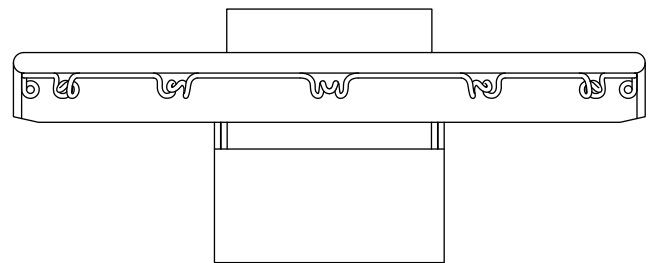
TOP VIEW



REAR VIEW



SIDE VIEW



FRONT VIEW

DRAPER

503576 Breakaway Goal

DRAPER, Inc., 411 S. Pearl Street, Spiceland, Indiana 47385
 EMAIL drapercontract@draperinc.com, PH 765-987-7999, FAX 866-637-5611