

LCD Lift

Motorized Ceiling-Recessed
LCD Projector Lift

by **DRAPER**

Specifications—LCD Lift

_____ LCD projector lifts, Model (A/B), electrically operated 110-120V AC, 60 Hz, to accept projectors weighing up to 65 lbs. Motor is UL, CSA, and CE recognized, instantly reversible & lifetime lubricated. Draws .41 amp (LCD A) or .42 Amp (LCD B). Unit designed to be ceiling recessed, with aluminum panels formed to serve as both frame and enclosure, suitable for use in return air plenum. Ceiling closure to be sheet metal (doors/ceiling closure panel), finished in white baked textured powder coat. Doors shall be hinged to open "bomb bay" style. Ceiling closure panel shall be attached to unit via threaded rods. Projector to be suspended from 11¼" x 18" (A)/16¼" x 18" (B) mounting plate of 1/8" thick aluminum attached by Z-brackets to internal aluminum tray operated by sprocket and ladder system. Factory set limit switches to automatically stop travel at open and closed positions. One 110-120V AC 60 Hz fused duplex outlet, automatically energized in the fully down position, to be mounted within the unit. (Option: Video and control cables to be factory installed inside unit.) Unit to be furnished with knockouts for cable passage. AC sensor to delay upward operation until projector's ventilation system has shut off. Three-position, 110-120V control switch (Option: two or more 24v switches and/or infrared remote transmitter and/or radio frequency remote transmitter) to stop or reverse cycle at any point.

Ceiling Access Door: Provides access to projector and lift when unit is installed above hard ceiling. Metal finish or accepts ceiling tile. Specifications subject to change without notice.

Please Check All Appropriate Selections

Select Model:

- LCD Lift A
- LCD Lift B

Select Closure:

- "Bomb Bay" Doors
- Ceiling Closure Panel

Select Options:

- Optional ceiling access door to allow access above finished ceilings
 - Ceiling access door, white painted finish
 - Ceiling access door, accepts ceiling tile
- Optional Universal Projector Mount

Select Controls:

Please Note: This Draper motorized screen comes with one 110V-120V AC 3-position wall switch (silver wall plate with black rocker).

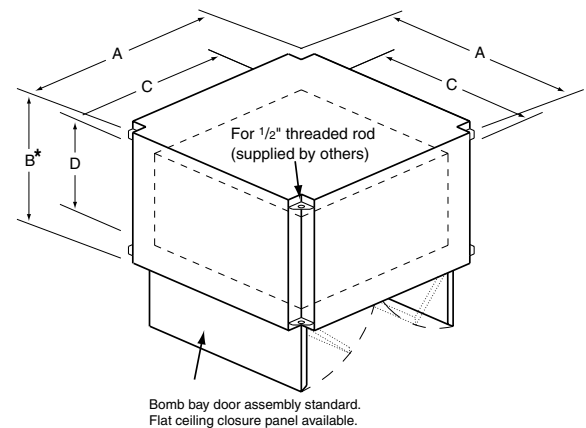
- _____ Total number of 110-120V AC switches (switches operate independently)
- Optional Lift Low Voltage Control Module (Lift LVC)
 - 24 Volt 3-Button Switch How many switches? _____
 - Radio Frequency Remote Control (only with 24v)
 - Infrared Remote Control (only with 24v)
- Optional Key Operated Switch
 - Power Supply Key Switch (On-off)
 - 3-Position Key Control
 - 3-Position Switch with Hinged Key-Locking Coverplate
- Optional Video Interface Control
 - VIC-115 (not compatible with Lift LVC)
 - Override Switch
- Factory Installed Cables (see Planning Sheet)

Dimensions & Data

	LCD Lift A	LCD Lift B
Overall Unit Size (HWL):	17¾" x 24" x 24"	22¾" x 29" x 29"
Projector Space (HWL) ¹ :	11" x 18" x 18"	16" x 23" x 23"
Required Space Above Ceiling:	17¾"	22¾"
Clearance Below Ceiling:	12"	14½"
Ceiling Opening:	24½" x 24½"	29½" x 29½"
Capacity:	65 lbs.	65 lbs.
Shipping Weight:	95 lbs.	130 lbs.
Amperes ² :	1	1
Downward Travel Distance:	11½"	16½"
Travel Time:	16 sec.	21 sec.

- ¹ Add ¾" to height dimension if Ceiling Closure Panel is specified.
² Does not include any load placed on LCD Lift's internal switched outlets.

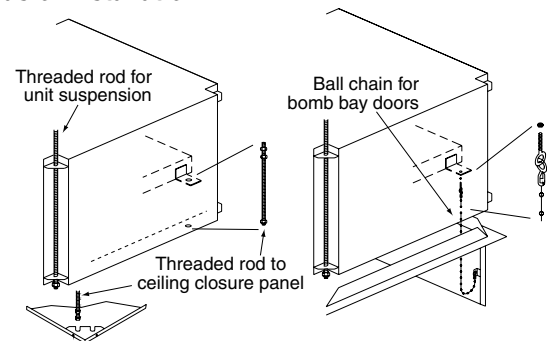
Dimensions



	A	B*	C	D	Travel	Lift Capacity
LCD Lift A	24"	17¾"	18"	11"	11½"	65 lbs.
LCD Lift B	29"	22¾"	23"	16"	16½"	65 lbs.

* Ceiling Closure Panel adds ¾" to this dimension

Methods of Installation



PROJECT: _____

ARCHITECT: _____

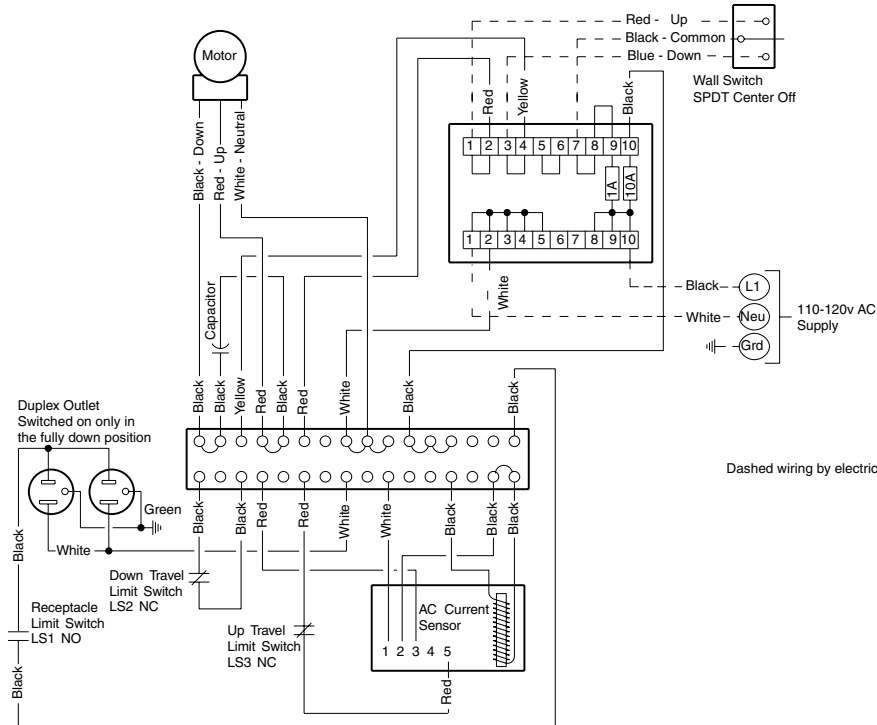
CONTRACTOR: _____

SUPPLIER: _____

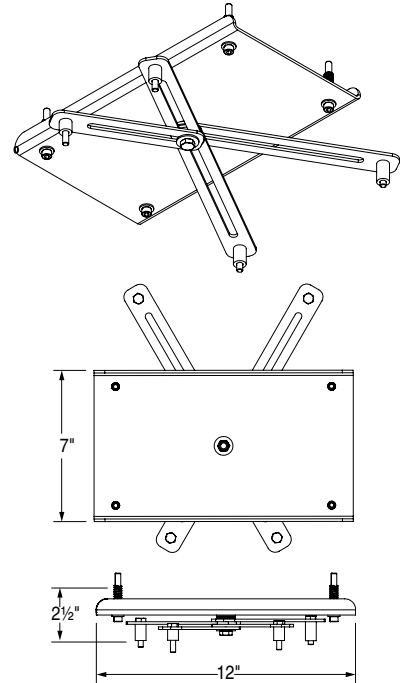
DATE: _____ REVISED: _____

DRAPER

Wiring Diagram—Single Station Control



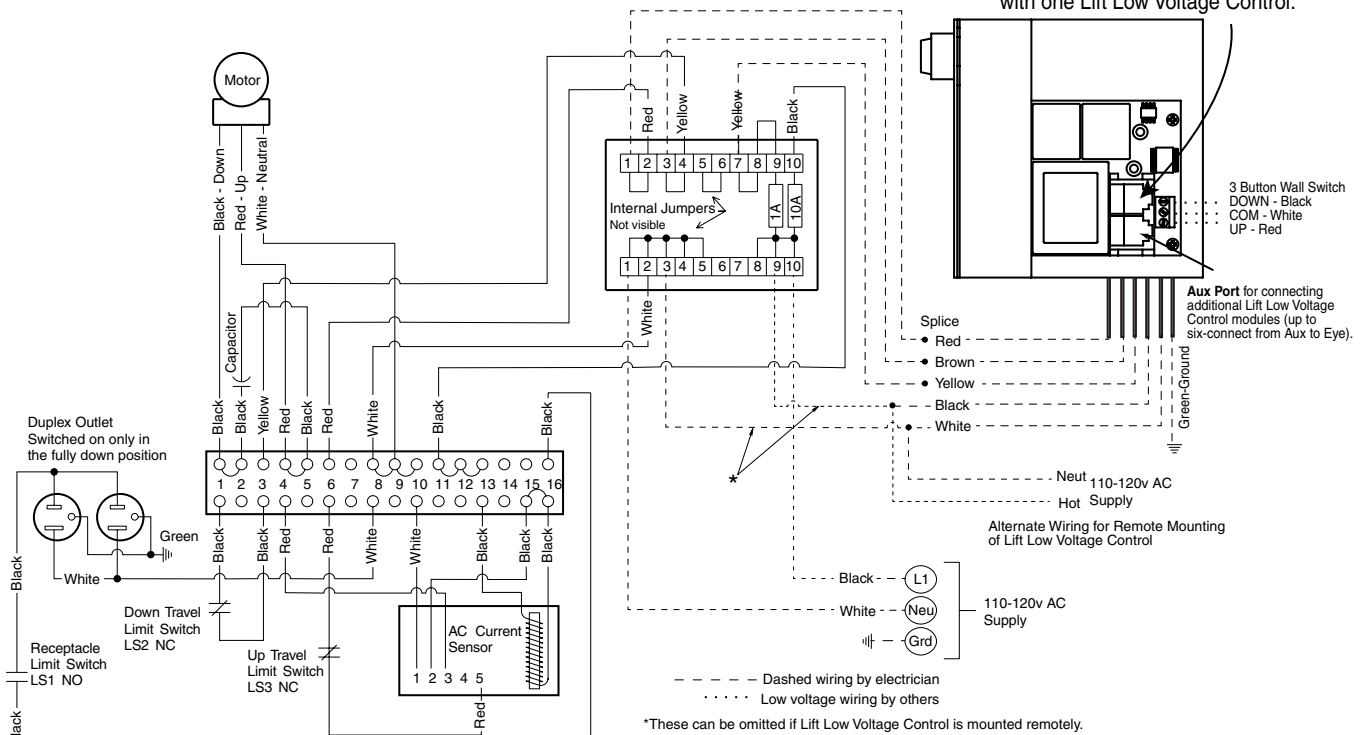
Optional Universal Mounting Bracket



Wiring Diagram—Infrared and Radio Frequency Remote Control

Lift LVC — LCD Lift Wiring Diagram

Eye Port for IR Eye or RF Receiver. Splitter is required if both are used with one Lift Low Voltage Control.



PROJECT: _____

SUPPLIER: _____

DATE: _____ REVISED: _____