

Installation Instructions

Adjustable Tension Breakaway Basketball Goal by Draper

⚠ Caution

- ① Before beginning, locate hardware pack and verify you have received all required parts.
- ② Do not remove, loosen or otherwise tamper with any other screws or bolts. Assembly is under pressure; any disassembly may cause injury and void all warranties.
- ③ The two vertical springs can be tightened if minor looseness or rattling occurs. One or two turns of the hex nut below the spring is sufficient. DO NOT OVERTIGHTEN as it will damage goal mechanism and not allow the rim to breakaway at the prescribed pressure leading to backboard damage and/or player injury.
- ④ In order to maintain warranty, goals should be greased and lubricated before each season or more often if they become stiff or tight to breakaway.

Mounting Goal to the Backboard

- ① Locate hardware pack that is packed in each goal and verify contents are accurate. Each hardware pack should include the following:
 - 2 each – $\frac{3}{8}$ "-16 x 2 $\frac{1}{2}$ " Carriage Bolt
 - 2 each – $\frac{3}{8}$ "-16 x 2 $\frac{1}{2}$ " Hex Head Bolt
 - 2 each – $\frac{3}{8}$ "-16 x 4" Carriage Bolt
 - 2 each – $\frac{3}{8}$ "-16 x 4" Hex Head Bolt
 - 4 each – $\frac{3}{8}$ "-16 Flange Lock Nut
 - 4 each – $\frac{3}{8}$ " x 1" OD Fender Washer
 - 2 each – $\frac{1}{4}$ "-20 x $\frac{1}{2}$ " Pan Head Screw (to attach Mechanism Cover)
 - 1 each – $\frac{3}{4}$ " Flat Wrench
 - 1 each – $\frac{3}{16}$ " Round Tool with Rubber Handle
 - 1 each – 1mm Goal Mounting Shim
 - 1 each – Instruction Sheet
- ② Remove cover plate (if installed) by removing the two Phillips head screws on either side of the goal.
- ③ Select the attachment hardware that best fits your installation condition. Bolts that minimize the excess threads protruding beyond the backboard should be utilized. For most situations the 2 $\frac{1}{2}$ " bolt will work best, but if a height adjuster is present 4" bolts may be required.
 - Carriage bolts should be inserted in the top mounting holes from the front of the goal.
 - Use Hex Head Bolts with $\frac{3}{8}$ " Flat Washers between the bolt head and goal plate in bottom mounting holes.
 - If using goal on a glass backboard with two threaded studs on front plate, place lower goal mounting holes onto studs and thread on $\frac{3}{8}$ " Flange Lock Nut with a $\frac{3}{8}$ " Flat Washer.
 - If using goal on 48" backboard or other backboards with a 5" x 5" hole pattern, use $\frac{3}{8}$ " x 1" OD fender washer on bottom mounting point to insure good contact between hardware and goal plate.
- ④ Install $\frac{3}{8}$ " Flange Lock Nuts to bolts from backside of backboard and tighten all hardware with the rim level and at 10'.
- ⑤ Install goal mechanism cover.

ATTENTION

Because not all backboards are installed perfectly plumb and/or level, Draper provides goal shims as a tool to assist in a level goal installation. Shims are to be inserted from above the goal bolts and should nest over goal bolts. NOTE: Shims should only be installed with the open side of the slots pointed toward the playing surface to eliminate any opportunity for the shim to fall out (see Fig. 1).

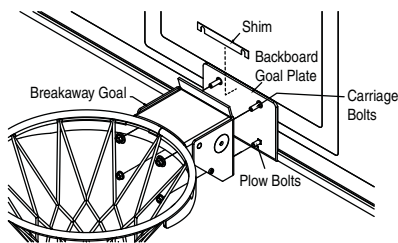


Figure 1

DRAPER®

411 S. Pearl St., Spiceland, IN 47385 USA ■ 765-987-7999
 www.draperinc.com ■ fax 765-987-7142
 Copyright © 2012 Draper Inc. Form EZ-BreakawayGoal_Inst12 Printed in U.S.A.

Installing the shims at the top bolt locations will cause the front of the rim to move closer to the playing surface installing it on the bottom bolt locations will cause the front of the goal to move away from the playing surface.

Adjusting Breakaway Strength

Using adjustment wrench and round tool provided with the goal, you can adjust the amount of force required to release the ball detent positive locking mechanism. Only adjust the goal after it has been installed. The amount of adjustment required to change the breakaway force is minimal. If necessary remove the goal mechanism cover and insert $\frac{3}{16}$ " Round Tool in hole in adjustment screw mechanism. Place flat wrench provided with goal over Hex Head portion of adjusting screw (see Fig. 2.) Moving the wrench and round tool away from one another will increase the breakaway force required and moving them toward each other will decrease the breakaway force.

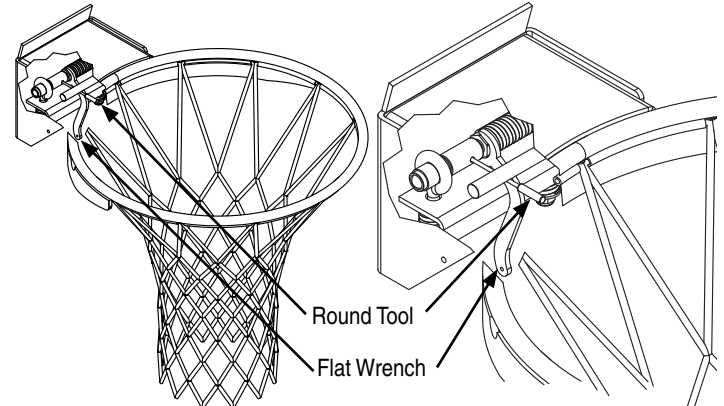


Figure 2

⚠ Warning

Do not remove, loosen or otherwise tamper with any other screws or bolts, as assembly is under pressure and any disassembly may cause injury and void all warranties.

Note:

The two vertical springs can be tightened if minor looseness or rattling occurs. One or two turns of the hex nut below the spring is sufficient. DO NOT OVERTIGHTEN as it will damage goal mechanism and not allow the rim to breakaway at the prescribed pressure leading to backboard damage and/or player injury.

Note:

In order to maintain warranty, goals should be greased and lubricated before each season or more often if they become stiff or tight to breakaway.

Tube-tie Net Attachment

Tube-tie Breakaway Goal should be supplied with net already attached. To install or replace net, locate the largest opening between the net lock tubes which should be located near the goal mechanism housing. Starting at this point, insert the steel net spline into the net lock tube. Hold the top of one of the net loops to the bottom of the goal ring and push the steel net spline so the end becomes visible at next break in the net lock tube. Make sure steel net spline passes through the net loop and enters the next net lock tube. Repeat process until net is installed. When the net is fully attached, secure net spline with screw through formed loop, attaching it to the goal mechanism (see Fig. 3).

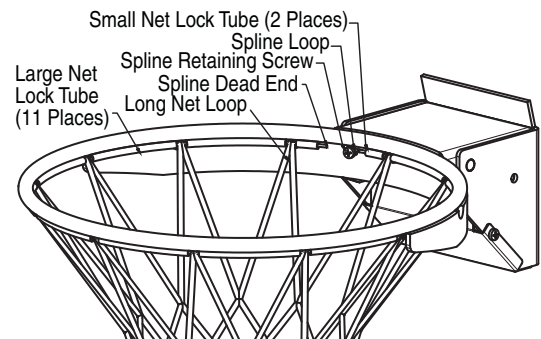


Figure 3

If you encounter any difficulties installing or servicing your Breakaway Basketball Goal, call your dealer or Draper, Inc. in Spiceland, Indiana, 765-987-7999, or fax 765-987-7142. Outside the United States, fax (765) 987-1689.