

# Sun Sensor

Part #9154043A

SOLUTIONS FOR BIOCLIMATIC FAÇADES

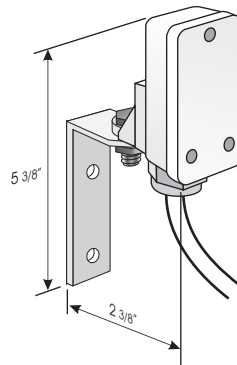
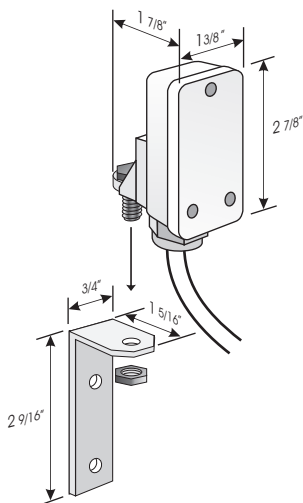
## DESCRIPTION

Sun Sensor enables the measurement of the ambient luminosity of the light level on the façade with a measurement range between 5 Klux and 65Klux.

## INSTALLATION PROCEDURES

1. The sun sensor is mounted on the façade in the direction facing the sun using the bracket furnished with the sensor. Optionally the sensor can be pole mounted on a mast furnished by others with the wiring routed on either the interior or exterior of the mast. The sensor mounting position on the façade surface should not be shaded by trees, overhangs or other building structures.
2. The sensor is furnished with a 2 meter wiring whip to facilitate termination into a typical construction J-Box. If the J-Box is mounted on the exterior of the building it must be weather proof.
3. Wiring from the J-Box to the Somfy Outside Sensor box is via 2 conductor 14AWG stranded wire. Wiring is not polarity sensitive. Wiring distance between the sensor and the outside sensor box should not exceed 300 feet.

## DIMENSIONS



## TECHNICAL SPECIFICATIONS

- Box Material: Lexan
- Colour: white
- Protection factor: IP43
- Cable Color: black
- Number of wires: 2
- Section of wires: 0,75 mm<sup>2</sup>
- Diameter of the cable: 6 mm
- Length of cable 2 meters
- Electromagnetic compatibility CEI 801-2 8 kV minimum
- Temperature range Working -20°C to +60°C
- Storing -20°C to +70°C
- Reception lobe directivity with half sensitivity ±80°
- Rate of relative humidity 90% max. to 25°C
- Weight 145 g