

# Outside Sensor Box

animeo Solo

animeo IB+

animeo IP

animeo KNX

animeo LON

SOLUTIONS FOR BUILDING CONTROL



Ref. 9001606

Interface between the sensor stations or individual sensors to the animeo building control solutions.

It requires an external 24 V AC / DC power supply (ref. 1860093).

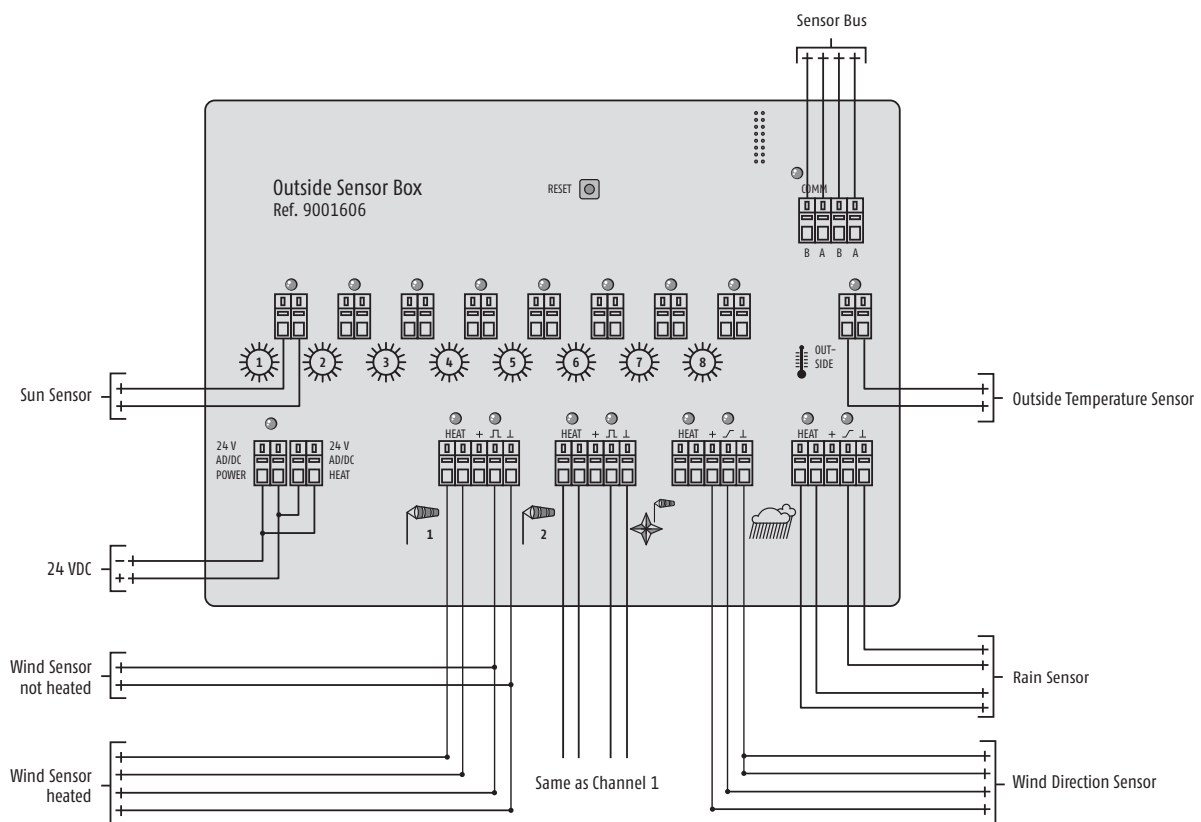
The Outside Sensor Extension Box (ref. 9001607) offers extension capabilities of 2 additional wind speed sensors and 4 sun sensors.

## Installation advantages

- > Only two cables (power supply 24 V AC/DC and data cable) must be laid to the outside. All wires easily integrated through spring clamb connectors.
- > Can directly be fixed to the sensor stations.
- > Up to 8 sun sensors, 2 wind speed sensors (standard or heated), 1 wind direction sensor, 1 rain sensor, 1 outside temperature sensor as well can be connected to the Outside Sensor Box.

## Functional advantages

- > Easy and quick start-up in combination with animeo building control solutions.
- > Status display through LED's for clear monitoring of connected and functioning individual sensors.



### CHARACTERISTICS

Supply voltage	24 V AC/DC SELV
Max. operating current	3 A
Stand-by current (primary)	100 mA
Terminals	Spring connectors
Operating temperature	- 30 °C to 70 °C
Relative humidity	85 %
Material of housing	PS (Polystyrol)
Housing dimensions (w x h x d)	255 x 210 x 100 mm
Weight	830 g
Degree of protection	IP 44
Protection class	III
Conformity	<a href="http://www.somfy.com/ce">www.somfy.com/ce</a>