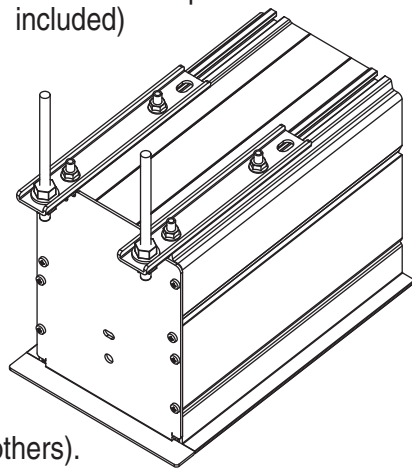
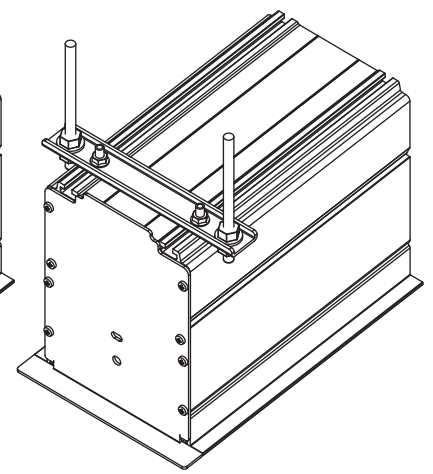


Alternate Installation (additional set of brackets required but not included)



Typical Installation



Shown with 7/8" threaded rod (by others).



Ultimate Access FlexShade

DRAPER, Inc., 411 S. Pearl Street, Spiceland, Indiana 47385
 EMAIL drapercontract@draperinc.com, PH 765-987-7999, FAX 866-637-5611