

# Access V

Ceiling-recessed, tab-tensioned screen



## SUBMITTAL TECHNICAL INFO

Please check all appropriate selections and attach room schedule with verified dimensions.

### Specifications

**QUANTITY:** \_\_\_\_\_ **SIZE:** \_\_\_\_\_ h. x \_\_\_\_\_ w. Projection screens, recessed ceiling mounted.

**HOUSING:** Case back, top, and front constructed of steel. Endcaps are steel. Bottom panel forms slot for passage of viewing surface, easily removable for access. Symmetrical housing to allow for left or right-hand motor location, and for viewing surface to unroll from the back or front of the roller. Case to include bottom flange for trim around edges of ceiling opening.

**ROLLER/FABRIC ASSEMBLY:** May be installed in case at factory or job site. Brackets supporting roller/fabric assembly to slide in track inside top of case, allowing viewing surface to be centered in case regardless of screen size. Roller of 3" (76 mm) dia. steel.

**VIEWING SURFACE:** Top of viewing surfaces masked by 12" (30cm) black drop. Viewing surface flame and mildew resistant. Matt White XT1000V and Contrast Grey XH600V (for tab tension screens only) viewing surfaces are certified to GREENGUARD standards for low chemical emissions into indoor air during product usage. For more information, visit [ul.com/gg](http://ul.com/gg).

**MOTOR:** Electrically operated 110-120V AC, 60 Hz. 4-wire motor mounted inside screen roller, max 1.1 amp current draw, instantly reversible, lifetime lubricated, with internal thermal overload protector and electric brake, standard motor with preset accessible switches. Optional quiet motor operates at 44 Db (motor noise is approximately 30% less than standard tubular motors). Housing to feature internal junction box, allowing it to be installed and wired to building supply wires at an early stage of construction. Junction box to have plug-in style connector, accepting the mating half of the connector from the motorized roller/fabric assembly.

**CONTROLS:** 3-position control switch (or switches—specify number) to stop or reverse screen at any point. Switch(es) furnished with cover plate.

**MOUNTING METHODS:** Case may be mounted with a 3/8" (9.5 mm) threaded rod, lag screws, or with wire in a grid ceiling.

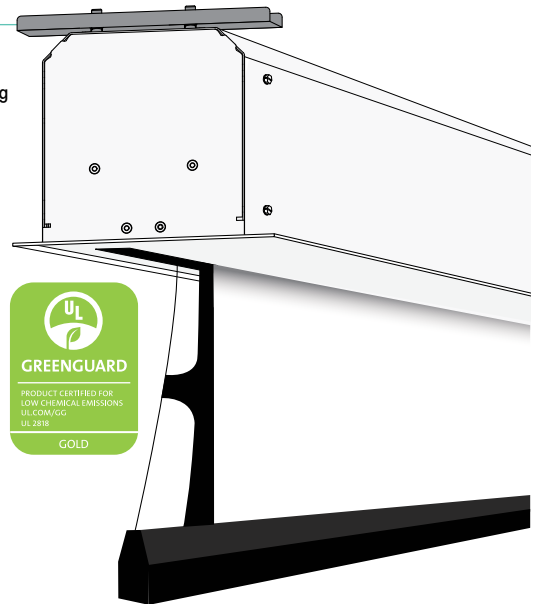
**MOUNTING BRACKETS:** Slide in 18" (457 mm) long channels on top of case, allowing brackets to be moved to avoid interference with conflicting building structures. Brackets must be locked in position by tightening screws. Brackets may also be angled to meet installation requirements.

**PLENUM RATED CASE** (UL approved "Suitable for Use in Environmental Air Space").

**SPECIFICATIONS SUBJECT TO CHANGE WITHOUT NOTICE.**

**DOWNLOADABLE 3-PART SPECIFICATIONS:** available at [www.draperinc.com](http://www.draperinc.com)

Please note: Dimensions of rollers, operators, and hardware at manufacturer's discretion.



### Select Shipping Option

**Please note:** When ordering a motor with internal low-voltage controller, if case ships separately from "guts," case includes 25' (7.6 m) cable and special low-voltage switch

- Case Now, Screen Assembly Later
- Complete Unit Now

### Select Case Color

- White (standard)
- Black (optional)

### Select Motor Location

- Left end (standard)
- Right end

### Optional Accessories

- Additional set of mounting brackets for alternate mounting (see page 3)
- Extra Drop
  - Black (standard)
  - Same color as viewing surface
  - Length of Total Drop: \_\_\_\_\_

**Please Note:** Extra drop increases case and dowel length. Specify at time of order and contact Draper if this dimension is critical. Includes 3/4" (19 mm) flange on each end of case. Subtract 1 1/4" (32 mm) for rough ceiling cutout size.

### Select Viewing Surface:

#### OptiFlex (Flexible)

- Black Backed Matt White XT1000VB (1.0 gain) (GREENGUARD Gold Certified)
- Grey XH600V (0.6 gain) (GREENGUARD Gold Certified)

#### CineFlex (Rear/Dual Projection)

- CineFlex CH1200 (1.2 gain)
- CineFlex White XT700V(0.7 gain)
- Other: \_\_\_\_\_

#### ClearSound (Acoustically Transparent)

- ClearSound Perf XT1000V (1.0 gain)
- Other: \_\_\_\_\_

#### TECVISION® Premium Optical Surface

- XH700X Grey (0.7 gain) Certified
- XH800X ALR (0.8 gain) Certified
- XH900X ALR (0.9 gain) Certified
- MS1000X ALR (1.0 gain) Certified
- CS1000X ALR (1.0 gain) Certified
- XT1000X White (1.0 gain) Certified
- XT1100X White (1.1 gain) Certified
- CS1200X ALR (1.2 gain) Certified
- XT1300X White (1.3 gain) Certified
- XT1600X White (1.6 gain) Certified
- XT1800X White (1.8 gain) Certified
- XH700X Grey NanoPerf (0.7 gain) Certified
- XH900X ALR NanoPerf (0.9 gain) Certified
- MS1000X ALR NanoPerf (1.0 gain) Certified
- XT1000X White NanoPerf (1.0 gain) Certified
- XT1100X White NanoPerf (1.1 gain) Certified
- XT1300X White NanoPerf (1.3 gain) Certified
- XT1600X White NanoPerf (1.6 gain) Certified
- XT1800X White NanoPerf (1.8 gain) Certified

See Pages 2 & 3 for Motor and Control Options, as well as Standard Dimensions and Data



Draper, Inc. | 411 S. Pearl St. Spiceland, IN 47385  
draperinc.com | 765.987.7999 | 800.238.7999  
© 2023 All Rights Reserved | FORM: AccessV\_Sub23

PROJECT: \_\_\_\_\_

ARCHITECT: \_\_\_\_\_

CONTRACTOR: \_\_\_\_\_

SUPPLIER: \_\_\_\_\_

DATE: \_\_\_\_\_ REVISED: \_\_\_\_\_

## Select Motor and Controls

### Standard Voltage Motor and Control Options:

- 110-120V AC (*standard*)
- Optional Quiet Motor

Quiet Motor Size Limitations			
16:10	HDTV	NTSC	AV
165	161"	180"	108" x 144"

**Please Note:** These motors come with one 110V-120V AC 3-position wall switch (*silver wall plate with black rocker*).

### High-Voltage Switch Options

- Substitute white switch(es) for silver wall plate with black rocker
- Optional Key Operated Switch
  - Power Supply Key Switch (*On-off*) (KS-1)
  - 3-Position Key Control (KS-3)

### Low-Voltage Motor and Control Options:

- Internal LVC-IV (*Low-Voltage Control Module*)
- External LVC-IV (*Low-Voltage Control Module*)

### Select Control Options for Low-Voltage from below:

- 24 Volt 3-Button Switch (*Number of 24V switches: \_\_\_\_\_*)
- Radio Frequency Remote Control (*only with 24V*)
- Infrared Remote Control (*only with 24V*)
- Optional Key Operated Switch
  - 3-Position Switch with Hinged Key-Locking Coverplate (SP-KPS-1)
  - 3-position Key Control (SP-KSM)

## Dimensions and Data

### 16:10 Format

H x W / Diagonal	Image Area	Case Length	Dowel Length	Net Weight	Quantity
94"	50" x 80"	103 3/8"	90 7/8"	115	
109"	57 1/2" x 92"	116 3/8"	103 7/8"	124	
113"	60" x 96"	120 3/8"	107 3/4"	128	
123"	65" x 104"	128 3/8"	115 7/8"	130	
137"	72 1/2" x 116"	141 1/2"	125 7/8"	148	
165"	87 1/2" x 140"	167"	154 3/8"	174	
189"	100" x 160"	187"	174 3/8"	365	
198"	105" x 168"	195 1/2"	182 7/8"	383	
226"	120" x 192"	221 1/8"	208 1/2"	419	

### 16:9 HDTV Format

H x W / Diagonal	Image Area	Case Length	Dowel Length	Net Weight	Quantity
92"	45" x 80"	103 3/8"	80 7/8"	111	
100"	49" x 87"	110 3/8"	97 7/8"	121	
106"	52" x 92"	115 3/8"	102 7/8"	124	
110"	54" x 96"	120 3/8"	107 7/8"	128	
119"	58" x 104"	128 3/8"	115 7/8"	131	
133"	65" x 116"	140 3/8"	127 7/8"	151	
161"	79" x 140"	165 1/2"	152 7/8"	173	
184"	90" x 160"	187"	174 3/8"	360	
193"	94 1/2" x 168"	195"	182 3/8"	375	
220"	108" x 192"	219 1/2"	206 7/8"	667	

### 4:3 NTSC Video Format

H x W / Diagonal	Image Area	Case Length	Dowel Length	Net Weight	Quantity
6'	42 1/2" x 56 1/2"	79 7/8"	67 3/8"	92	
7'	50" x 66 1/2"	89 7/8"	77 3/8"	99	
100"	60" x 80"	104 3/8"	91 7/8"	115	
10'	72" x 96"	121 1/2"	108 7/8"	129	
11'	78" x 104"	129 1/2"	116 7/8"	129	
150"	87" x 116"	143"	130 3/8"	135	
15'	108" x 144"	171 1/2"	158 7/8"	159	
200"	118" x 158"	187 1/8"	174 5/8"	370	
210"	126" x 168"	197 1/8"	184 1/2"	381	
220"	132" x 176"	205 1/8"	192 1/2"	665	
240"	144" x 192"	222 7/8"	210 1/4"	689	

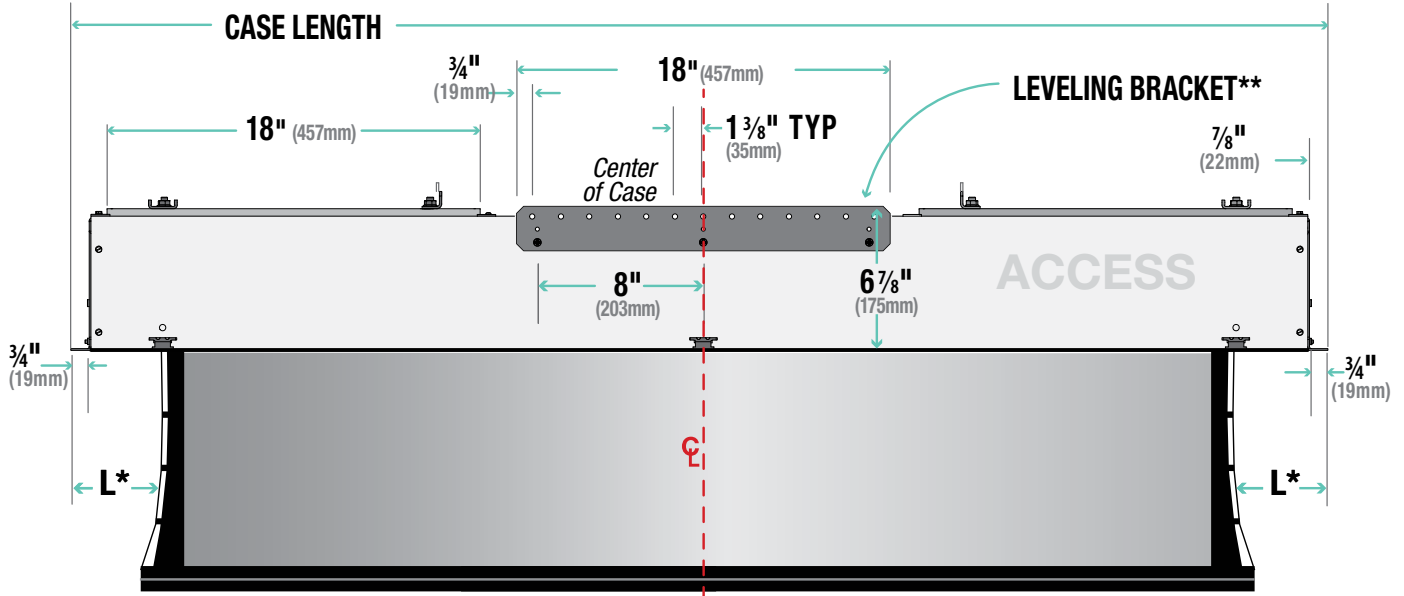
### AV Format

H x W / Diagonal	Case Length	Dowel Length	Net Weight	Quantity
96" x 96"	123"	110 3/8"	135	
7' x 9'	133 1/2"	120 7/8"	143	
9' x 9'	135 1/2"	122 7/8"	161	
8' x 10'	147"	134 3/8"	191	
10' x 10'	149 1/8"	136 5/8"	158	
9' x 12'	171 1/2"	158 7/8"	159	
12' x 12'	174 7/8"	162 3/8"	214	
10' 6" x 14'	197 1/8"	184 1/2"	637	
14' x 14'	203"	190 3/8"	689	
12' x 16'	222 7/8"	210 1/4"	689	

### Custom Size (up to 168" x 168")

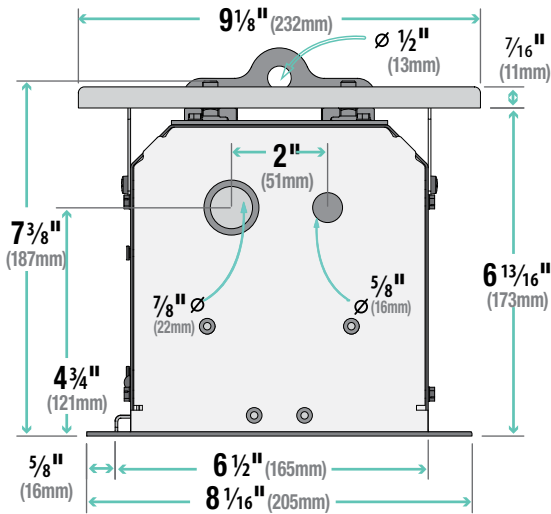
--	--	--	--	--	--

## Case Dimensions and Methods of Installation



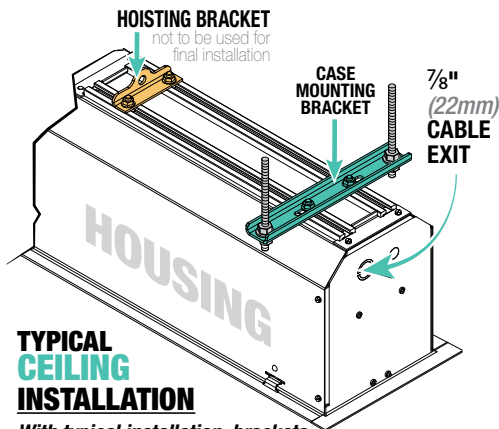
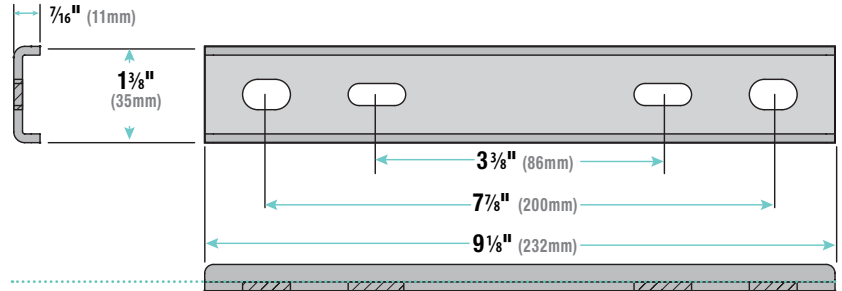
\*L = Varies

- For minimum length of ceiling cutout: subtract 1/4" (32mm) from case length (measured from outer edge of flanges).
- For minimum width of cutout (front to back): see case width dimensions below.
- \*\*Leveling bracket is used to level the case and should NOT be used to support the weight of the unit.
- The leveling bracket is screwed to the side of the case and remains stationary. Hardware used for leveling provided by others.
- There are several knock-outs in the screen housing to allow the Leveling Bracket to be adjusted laterally up to 16" (40.6cm) in either direction.



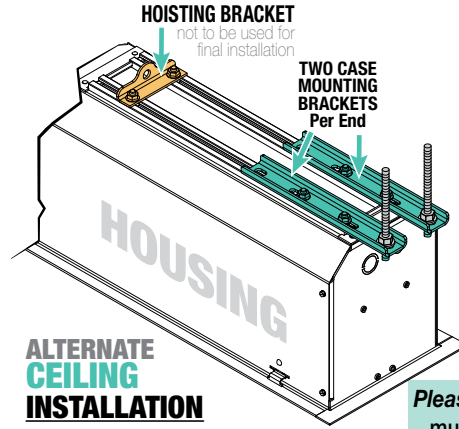
Standard Motor Wiring is on the AUDIENCE LEFT END of Screen Case.

### Mounting Brackets



### TYPICAL CEILING INSTALLATION

With typical installation, brackets may be angled to meet installation requirements.



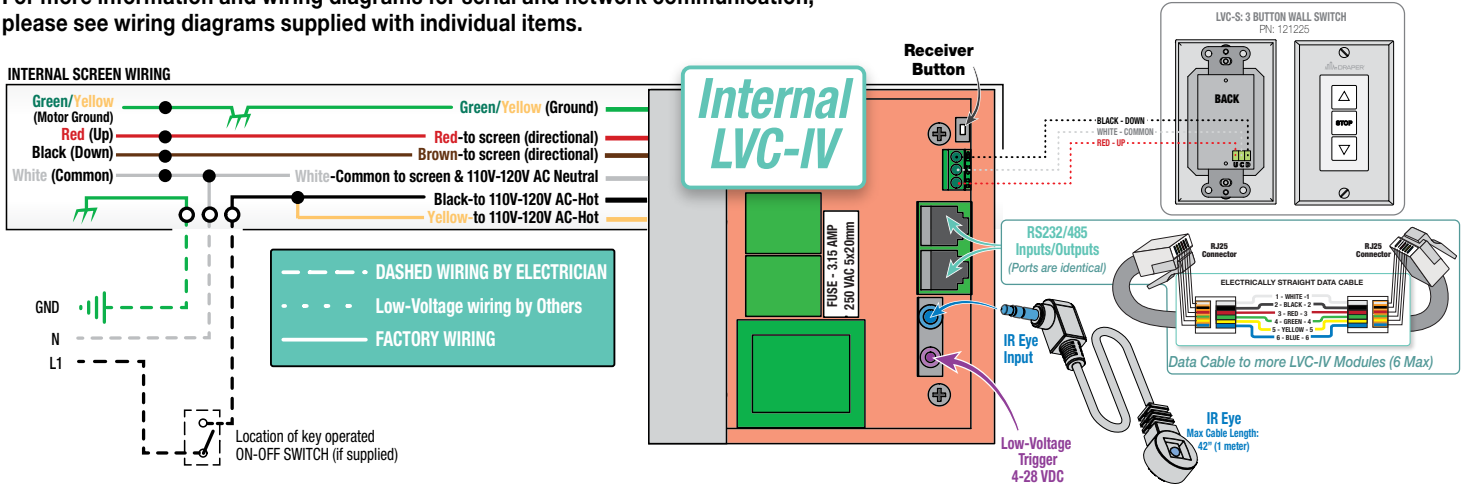
### ALTERNATE CEILING INSTALLATION

Additional set of brackets required, but **NOT** included.

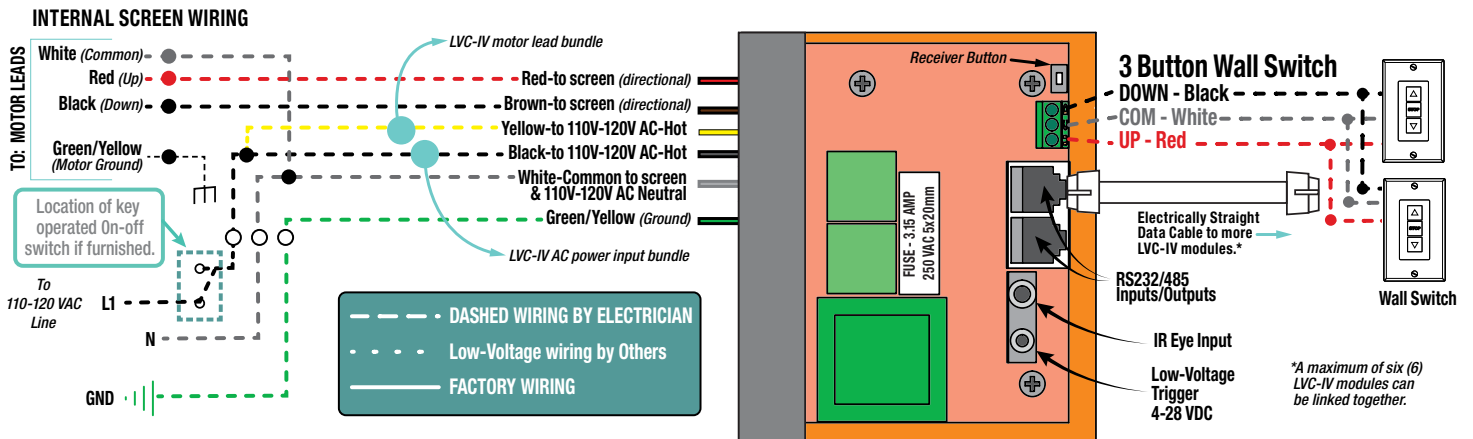
Please Note: Extra brackets must be ordered for alternate installation.

## Wiring Diagrams

For more information and wiring diagrams for serial and network communication, please see wiring diagrams supplied with individual items.

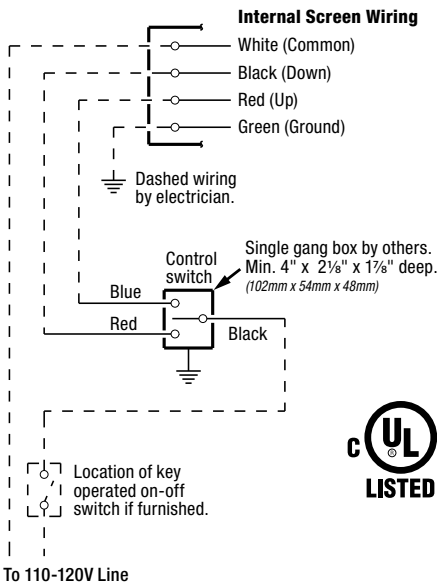


## WIRING DIAGRAM - External LVC-IV (Low-Voltage Control Module)



## 110-120V MOTOR

### Single Station Control



**Please Note:** For external low-voltage (LVC-IV), serial (LVC-IV) and network (LVC-IV) wiring diagrams, please consult instructions for those modules.

PROJECT: \_\_\_\_\_

ARCHITECT: \_\_\_\_\_

CONTRACTOR: \_\_\_\_\_

SUPPLIER: \_\_\_\_\_

DATE: \_\_\_\_\_ REVISED: \_\_\_\_\_