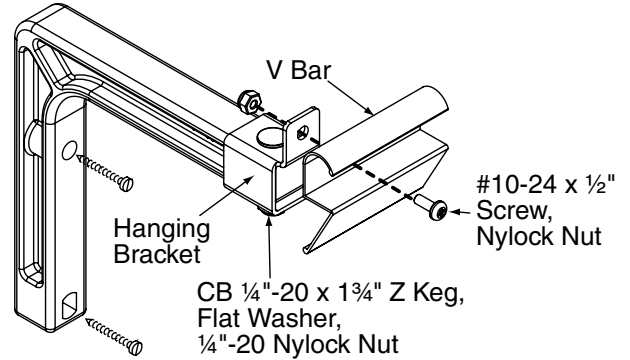


# Installation Instructions

## V Screen Hanging Bracket Kit for Wall Brackets by Draper

*Extension brackets can be used to mount the V Screen extended from the wall. Brackets are not supplied with screen and must be ordered separately. Specify "V Screen Extension Brackets".*

- ① Mount the brackets to the wall, making sure they are level and vertically plumb. Installer must insure fasteners (not included) are of adequate strength and suitable for chosen mounting surface.
- ② Attach hanging bracket to wall bracket as shown.
- ③ Mount the screen to the front of the bracket using the V Screen Bracket Mounting Kit provided with the brackets.

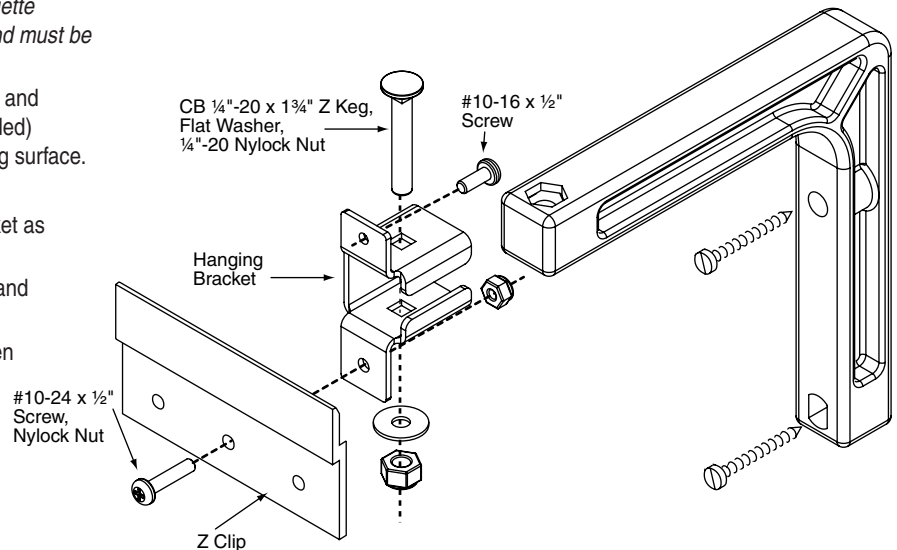


# Installation Instructions

## Silhouette Hanging Bracket Kit for Wall Brackets by Draper

*6" or 10"-14" extension brackets are needed to mount Silhouette extended from wall. Brackets are not supplied with screen and must be ordered separately. Specify "Silhouette Extension Brackets".*

- ① Mount the brackets to the wall, making sure they are level and vertically plumb. Installer must insure fasteners (not included) are of adequate strength and suitable for chosen mounting surface.
- ② Attach hanging bracket to wall bracket as shown.
- ③ Attach (1) "Z" Clip (supplied with screen) to hanging bracket as shown.
- ④ Engage the lip on back of screen case with lip of "Z" Clip and gently pull down to fully engage case to brackets.
- ⑤ Screw in #10-16 x 1/2 inch screw on each bracket to lock screen case in place (see drawing).



# DRAPER