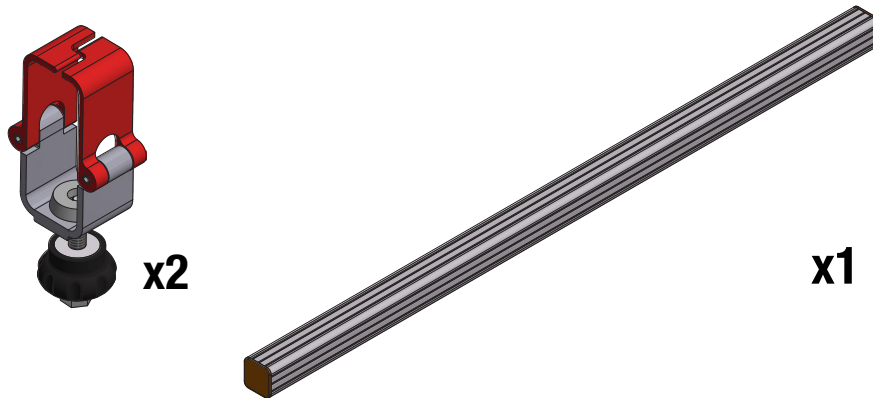


# Ultimate Folding Screen Brace Clamp

## INSTRUCTIONS

### INSTALLATION

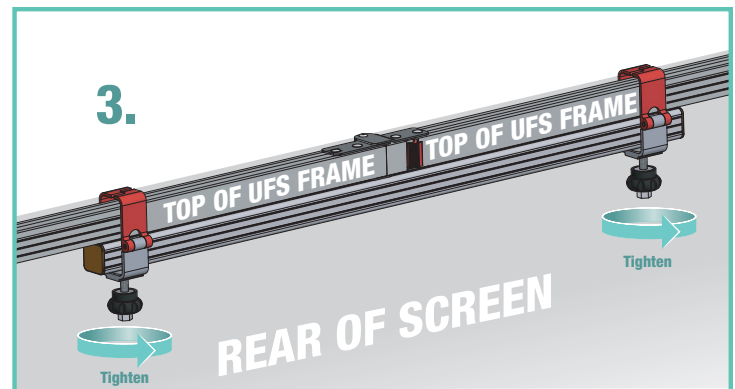
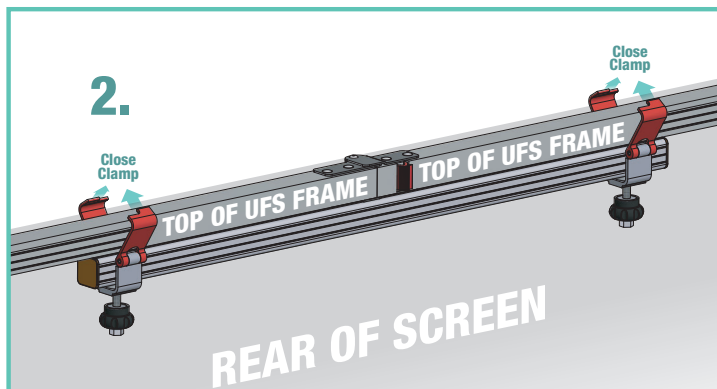
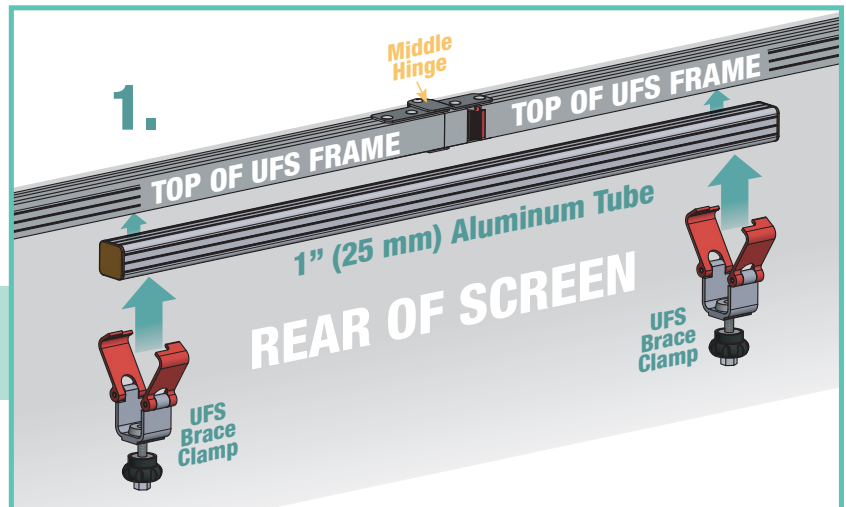
#### Section 1 - Brace Clamp Components



#### Section 2 - Attaching Brace Clamp to UFS Frame

1. Center the 1" Aluminum Tube to the underside of the TOP of the UFS frame, centered on the hinge (see Fig. 1).
2. Slide one (1) open clamp over the Aluminum Tube, and close the clamp jaws around the UFS Frame (see Fig 2.). The teeth in clamp jaws will engage with ribs of the UFS frame. Repeat on the other end of the Aluminum Tube.
3. Tighten both clamps (see Fig.3).

**Please Note:** If using a REAR PROJECTION VIEWING SURFACE, the following steps will apply EXCEPT the Brace Clamps will be inverted (clamp knobs will be pointing UP) to avoid blocking the light path from the projector.



If you have any difficulties installing or servicing your UFF Brace Clamp, call your dealer or Draper, Inc.