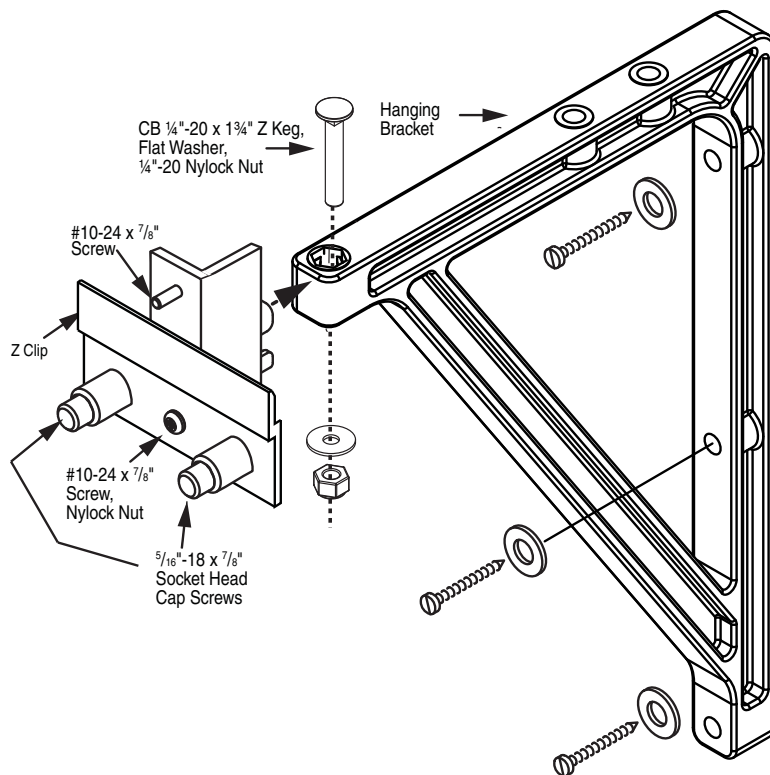


## Installation Instructions

### 227226/227228 Silhouette Hanging Bracket Kit for 10"/14" Wall Brackets by Draper

6" or 10"/14" extension brackets are needed to mount Silhouette extended from wall. Brackets are not supplied with screen and must be ordered separately. Specify "Silhouette Extension Brackets". 227226 and 227228 must be attached to 10"/14" wall brackets.

- 1 Back  $\frac{5}{16}$ "-18 x  $\frac{7}{8}$ " Cap Screws and 10-24 x  $\frac{7}{8}$ " screws out until they are flush.
- 2 Attach hanging bracket to wall bracket as shown. Use a rubber mallet to make sure the hanging bracket is fully seated on the wall bracket.
- 3 Mount the 10"/14" brackets to the wall, making sure they are level and vertically plumb. Installer must insure fasteners (not included) are of adequate strength and suitable for chosen mounting surface.
- 4 Engage the lip on back of screen case with lip of "Z" Clip and gently pull down to fully engage case to brackets.
- 5 Tighten  $\frac{5}{16}$ "-18 x  $\frac{7}{8}$ " Cap Screws and 10-24 x  $\frac{7}{8}$ " screws on each bracket to lock screen case in place (see drawing).



# DRAPER®

411 S. Pearl St., Spiceland, IN 47385 USA ■ 765-987-7999  
www.draperinc.com ■ fax 765-987-7142

Copyright © 2010 Draper Inc. Form 227226-SilhouetteBrackets\_Inst10 Printed in U.S.A.

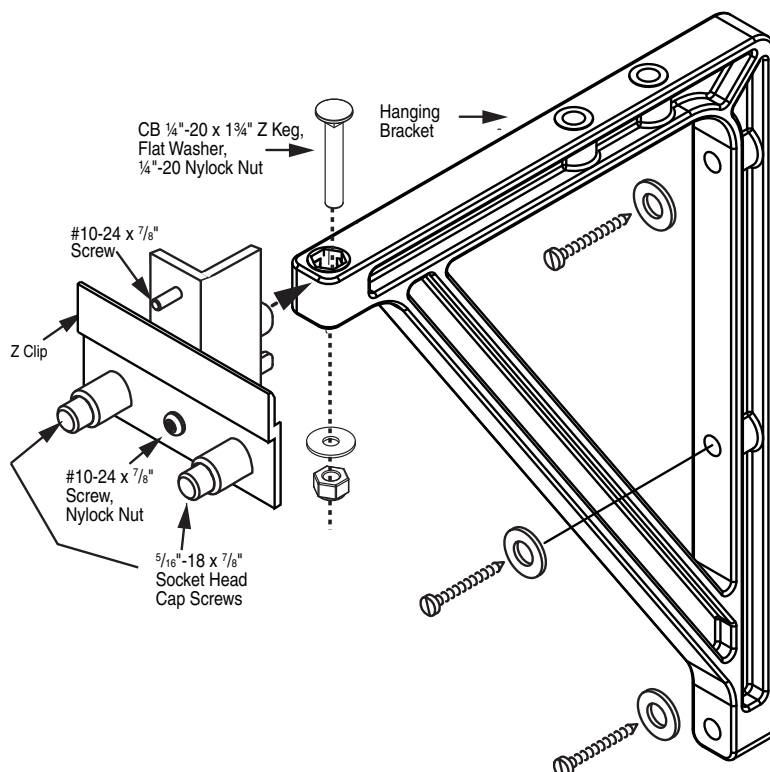
If you encounter any difficulties installing or servicing your Silhouette brackets, call your dealer or Draper, Inc., Spiceland, Indiana, (765) 987-7999; or fax (765) 987-7142.

## Installation Instructions

### 227226/227228 Silhouette Hanging Bracket Kit for 10"/14" Wall Brackets by Draper

6" or 10"/14" extension brackets are needed to mount Silhouette extended from wall. Brackets are not supplied with screen and must be ordered separately. Specify "Silhouette Extension Brackets". 227226 and 227228 must be attached to 10"/14" wall brackets.

- 1 Back  $\frac{5}{16}$ "-18 x  $\frac{7}{8}$ " Cap Screws and 10-24 x  $\frac{7}{8}$ " screws out until they are flush.
- 2 Attach hanging bracket to wall bracket as shown. Use a rubber mallet to make sure the hanging bracket is fully seated on the wall bracket.
- 3 Mount the 10"/14" brackets to the wall, making sure they are level and vertically plumb. Installer must insure fasteners (not included) are of adequate strength and suitable for chosen mounting surface.
- 4 Engage the lip on back of screen case with lip of "Z" Clip and gently pull down to fully engage case to brackets.
- 5 Tighten  $\frac{5}{16}$ "-18 x  $\frac{7}{8}$ " Cap Screws and 10-24 x  $\frac{7}{8}$ " screws on each bracket to lock screen case in place (see drawing).



# DRAPER®

411 S. Pearl St., Spiceland, IN 47385 USA ■ 765-987-7999  
www.draperinc.com ■ fax 765-987-7142

Copyright © 2010 Draper Inc. Form 227226-SilhouetteBrackets\_Inst10 Printed in U.S.A.

If you encounter any difficulties installing or servicing your Silhouette brackets, call your dealer or Draper, Inc., Spiceland, Indiana, (765) 987-7999; or fax (765) 987-7142.