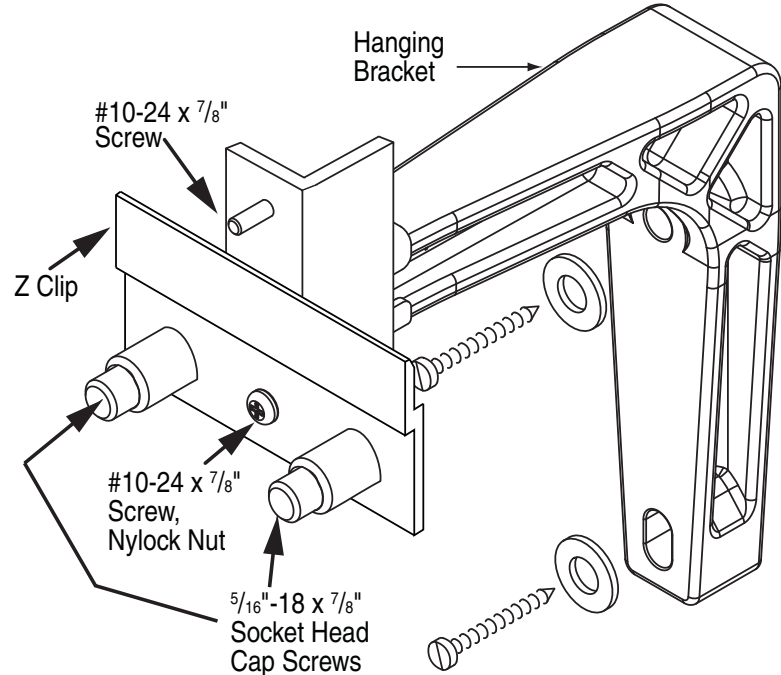


Installation Instructions

227225/227227 Silhouette Hanging Bracket Kit for 6" Wall Brackets by Draper

6" or 10"-14" extension brackets are needed to mount Silhouette extended from wall. Brackets are not supplied with screen and must be ordered separately. Specify "Silhouette Extension Brackets".
227225 and 227227 come pre-assembled on 6" wall brackets.

- ① Back $\frac{5}{16}$ "-18 x $\frac{7}{8}$ " Cap Screws and 10-24 x $\frac{7}{8}$ " screws out until they are flush.
- ② Mount the 6" brackets to the wall, making sure they are level and vertically plumb. Installer must insure fasteners (not included) are of adequate strength and suitable for chosen mounting surface.
- ③ Engage the lip on back of screen case with lip of "Z" Clip and gently pull down to fully engage case to brackets.
- ④ Re-tighten $\frac{5}{16}$ "-18 x $\frac{7}{8}$ " Cap Screws and 10-24 x $\frac{7}{8}$ " screws on each bracket to lock screen case in place (see drawing).



DRAPER®

411 S. Pearl St., Spiceland, IN 47385 USA ■ 765-987-7999
www.draperinc.com ■ fax 765-987-7142

Copyright © 2010 Draper Inc. Form 227225-SilhouetteBrackets_Inst10 Printed in U.S.A.

If you encounter any difficulties installing or servicing your Silhouette brackets, call your dealer or Draper, Inc., Spiceland, Indiana, (765) 987-7999; or fax (765) 987-7142.