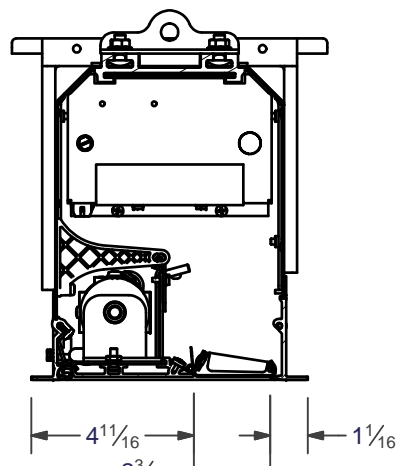
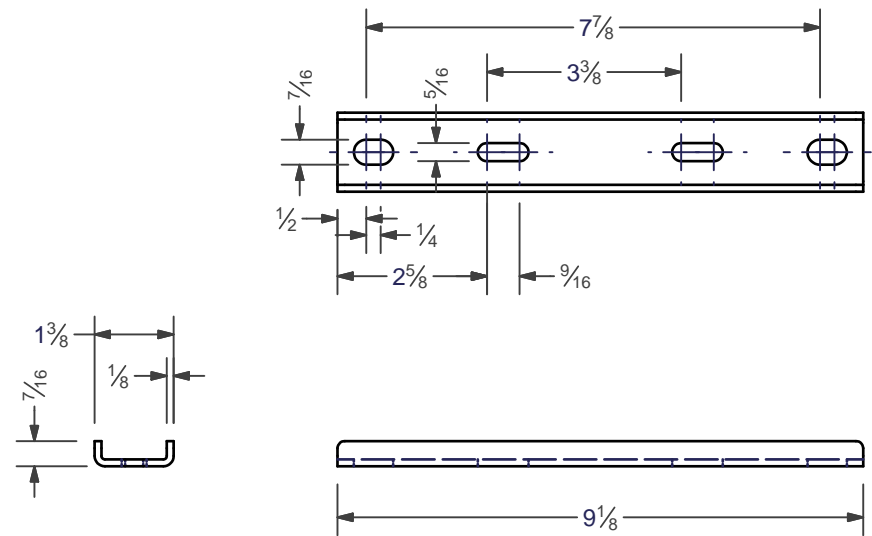


B

A

B

A



SECTION A-A

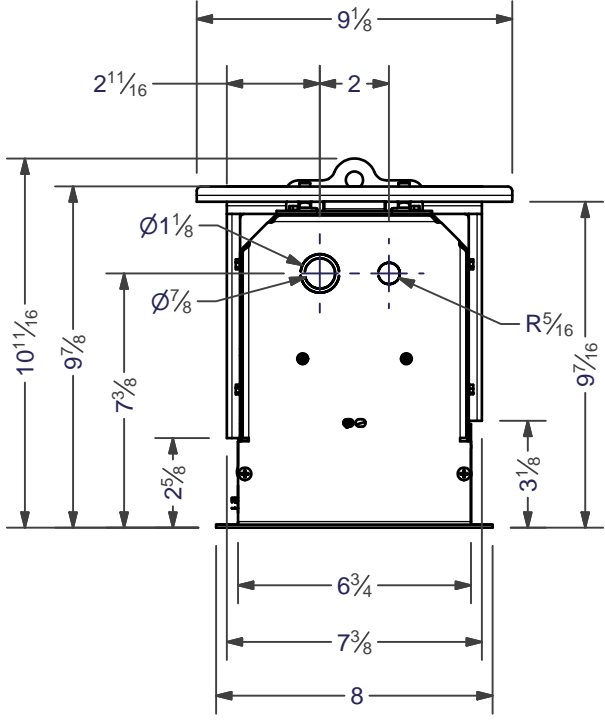
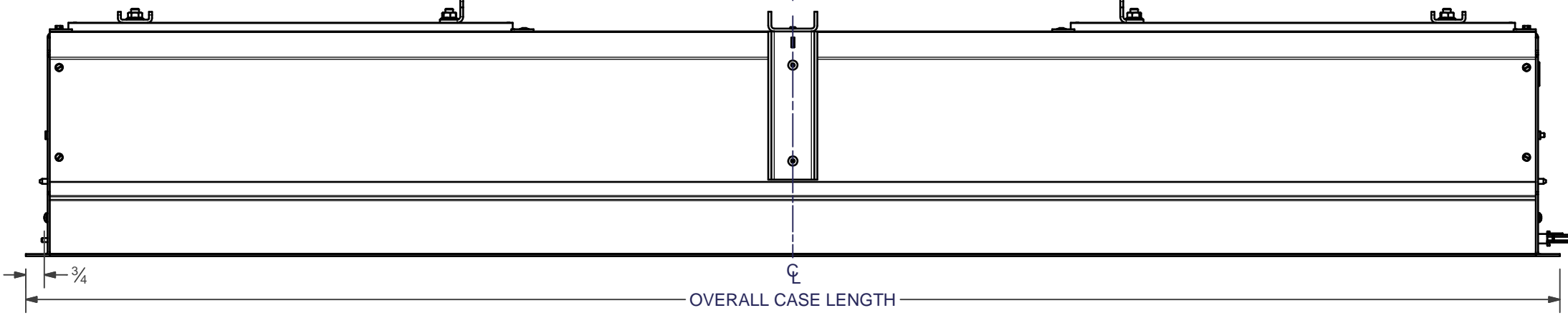
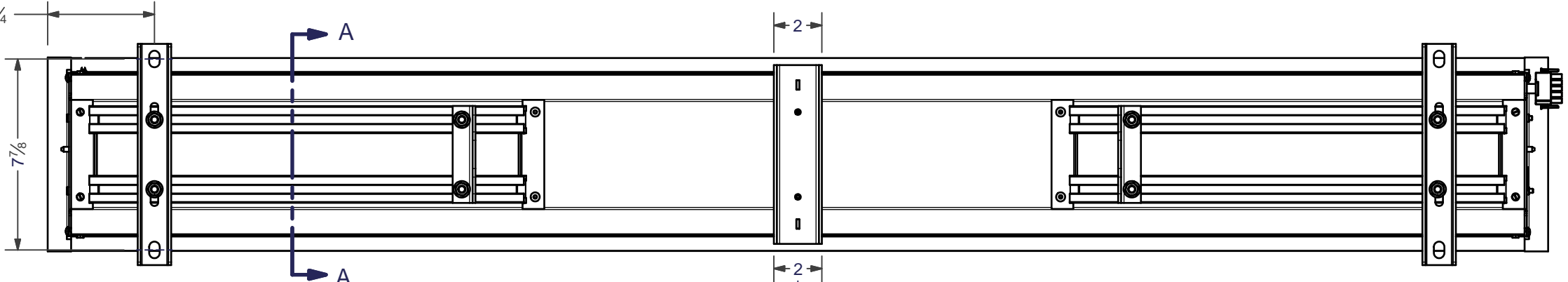
HOISTING BRACKETS

DOOR SUPPORT BRACKET

DOOR LATCH

DOOR SUPPORT BRACKET SCREW

FROM 2-¹³/₁₆ TO 18-³/₄
(BOTH ENDS)



DATE:	DRAWN BY:
DATE:	APPROVED BY:
PROPRIETARY DRAWING NOTICE: THIS DOCUMENT CONTAINS CONFIDENTIAL, PROPRIETARY INFORMATION OF DRAPER, INC., IS THE PROPERTY OF DRAPER, INC., AND MUST BE RETURNED UPON REQUEST. NEITHER RECEIPT NOR POSSESSION THEREOF CONFERS ANY RIGHT TO OWN, REPRODUCE, USE, OR DISCLOSE IN WHOLE OR IN PART, ANY SUCH INFORMATION WITHOUT WRITTEN AUTHORIZATION FROM DRAPER, INC.	


 DRAPER, INC.
 411 S. PEARL ST.
 SPICELAND, IN 47385
 www.draperinc.com

TITLE:

DWG NO. - PART NO.	REV. 000	SHEET 1 OF 1
--------------------	----------	--------------