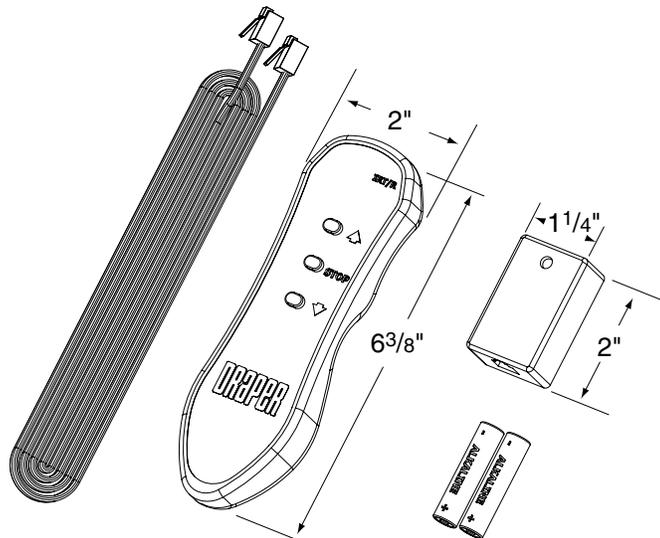


# Technical Data Sheet

## IRT/R—Infrared Transmitter/Receiver By Draper

- USES:** Up, Down and Stop control of an LVC-III or MC1 via IR (infrared).
- COMPATIBILITY:** The IRT/R can be used with either the LVC-III or the MC1. Other controls may be connected to the LVC-III or MC1 simultaneously:
- LVC-S low voltage wall switch (or Auxiliary control systems employing "dry" contacts).
  - WRT/R radio frequency remote control package (splitter required).
  - LVC-SL LED low voltage wall switch (splitter required).
- With the LVC-III, for simultaneous use of an IR and RF or IR & LVC-SL a splitter is required. With the MC1, the above is also true, but additionally a power supply is required when using a WRT/R or LVC-SL.
- The IRT/R operates on a proprietary IR protocol.
- The transmitter part of this package, the IRT, is available as a replacement part.
- CONTACTS:** None. This package merely consists of the transmitter and receiver. The contacts are part of the LVC-III or MC1.
- RATING:** Not available. The IRT/R operates on IR protocol.
- DESCRIPTION:** The IRT/R is a package consisting of a receiver and hand-held transmitter which control an LVC-III or MC1 via infrared. Its range with fresh batteries is approx. 50 feet. The 1-channel transmitter is approx. 2" wide, 6<sup>3</sup>/<sub>8</sub>" long, and 1" thick. Operates on two AAA batteries (included). The receiver is approx. 1<sup>1</sup>/<sub>4</sub>" x 2" x <sup>3</sup>/<sub>4</sub>", with an 10' long data cable, which plugs into a standard RJ-11 plug on the LVC-III or MC1. It must be located within sight of the transmitter user.
- PART NUMBERS:** 121065—IRT/R, Transmitter and Receiver  
121066—IRT, Transmitter only

**ILLUSTRATION:**



# DRAPER®

411 S. Pearl St., Spiceland, IN 47385 USA ■ 765-987-7999  
www.draperinc.com ■ fax 765-987-7142