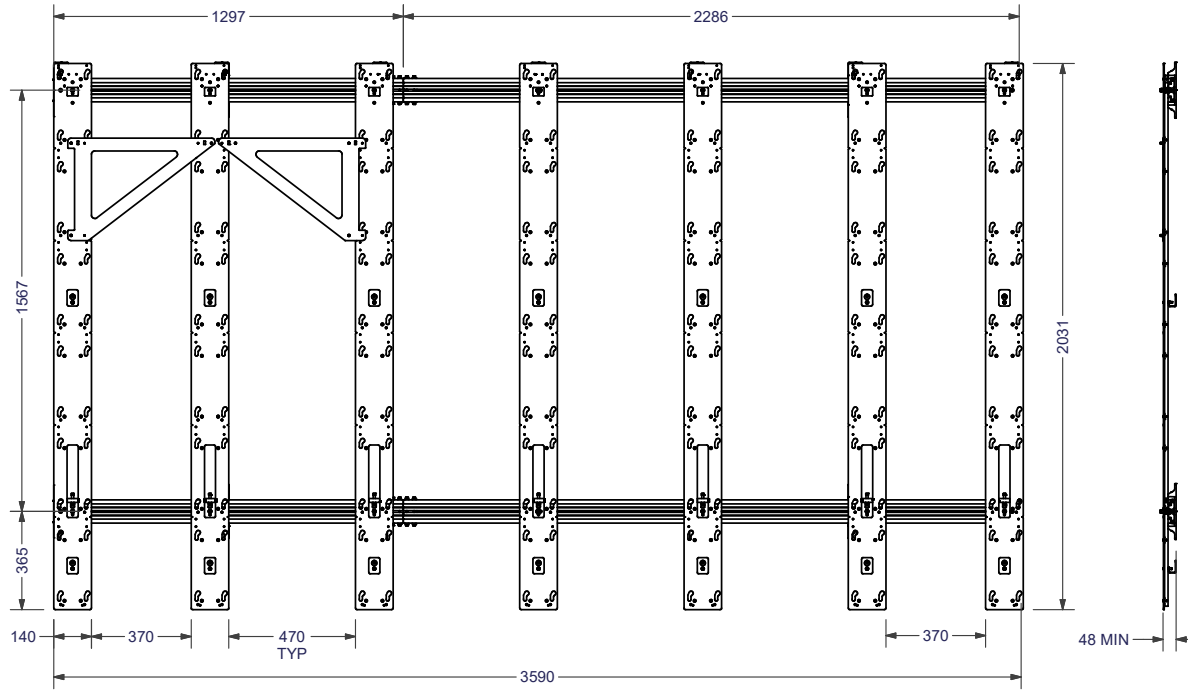


4

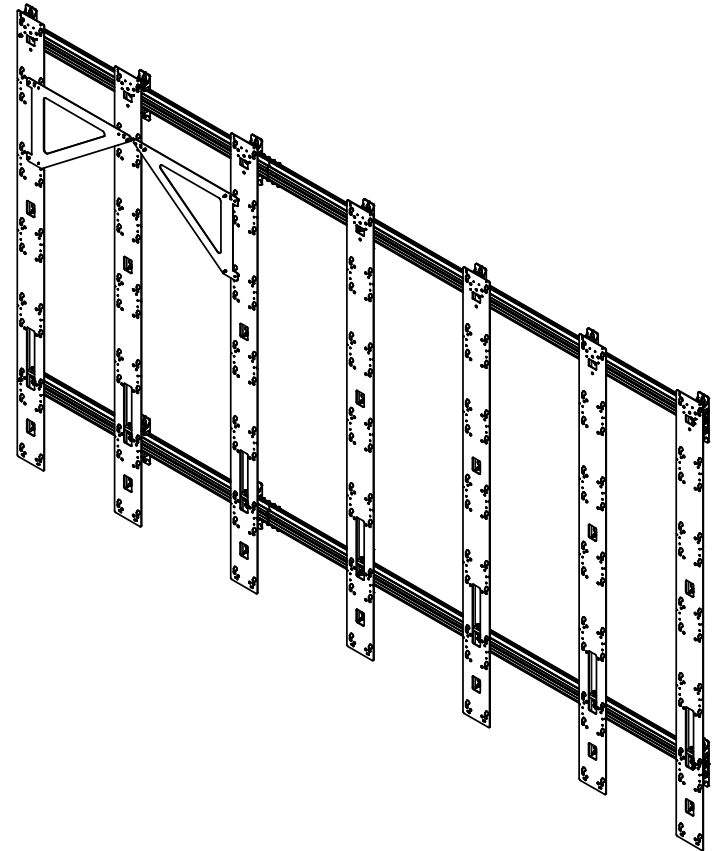
3

2

1



FRAME ONLY



Machining Tolerances (mm)	
0 < L ≤ 6	± 0.1
6 < L ≤ 30	± 0.2
30 < L ≤ 120	± 0.3
120 < L ≤ 400	± 0.5
400 < L ≤ 1000	± 0.8
1000 < L ≤ 2000	± 1.2
2000 < L ≤ 4000	± 2

NOTES:
 1. FRAME WEIGHT = 73 kg (161 lbs)

PROPRIETARY DRAWING NOTICE: THIS DOCUMENT CONTAINS CONFIDENTIAL, PROPRIETARY INFORMATION OF DRAPER, INC., IS THE PROPERTY OF DRAPER, INC., AND MUST BE RETURNED UPON REQUEST. NEITHER RECEIPT NOR POSSESSION THEREOF CONFERS ANY RIGHT TO OWN, REPRODUCE, USE, OR DISCLOSE IN WHOLE OR IN PART, ANY SUCH INFORMATION WITHOUT WRITTEN AUTHORIZATION FROM DRAPER, INC.

TOLERANCES UNLESS NOTED	DESIGNED BY: senochs	7/2/2020
	DRAWN BY: senochs	3/5/2020
	CHECKED BY:	
	MATERIAL:	

DRAPER, INC.
 411 S. PEARL ST.
 SPICELAND, IN 47385
 www.draperinc.com

DRAPER®

TITLE: FOUNDATION 6 X 6 ABS EN ACCLAIM AND ACCLAIM PLUS MOUNT WITHOUT TRIM

FINISH:	DWG SIZE: B	REV: OF:	SHEET: 1 OF: 4	DWG NO.: 302203
---------	-------------	----------	----------------	-----------------



4

3

2

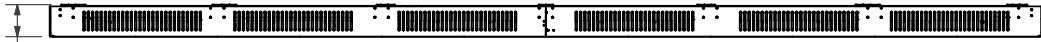
1

4

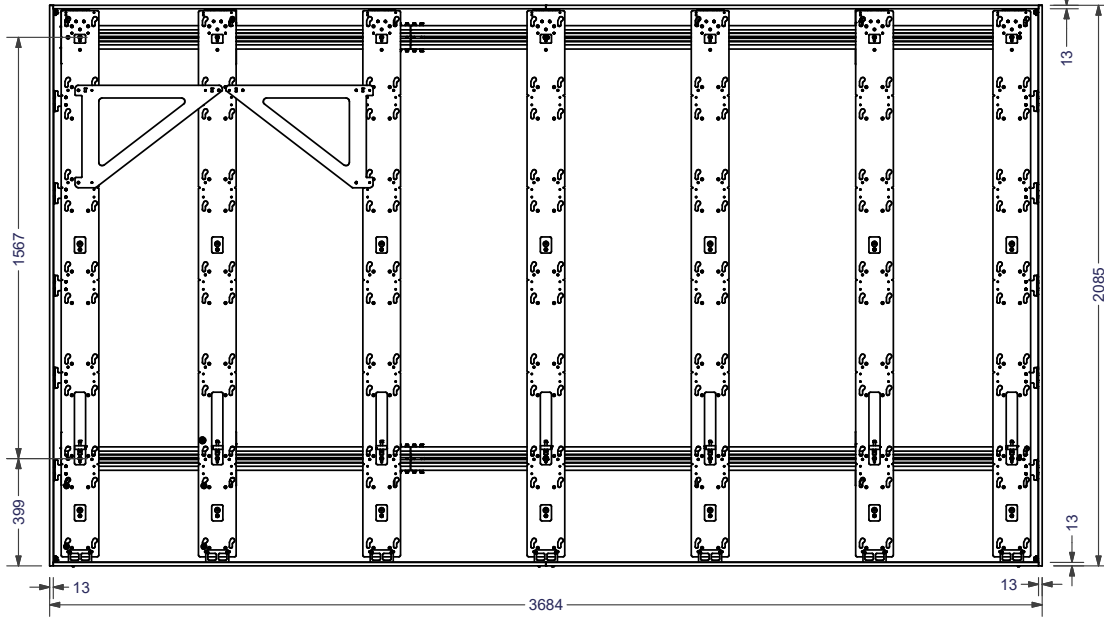
3

2

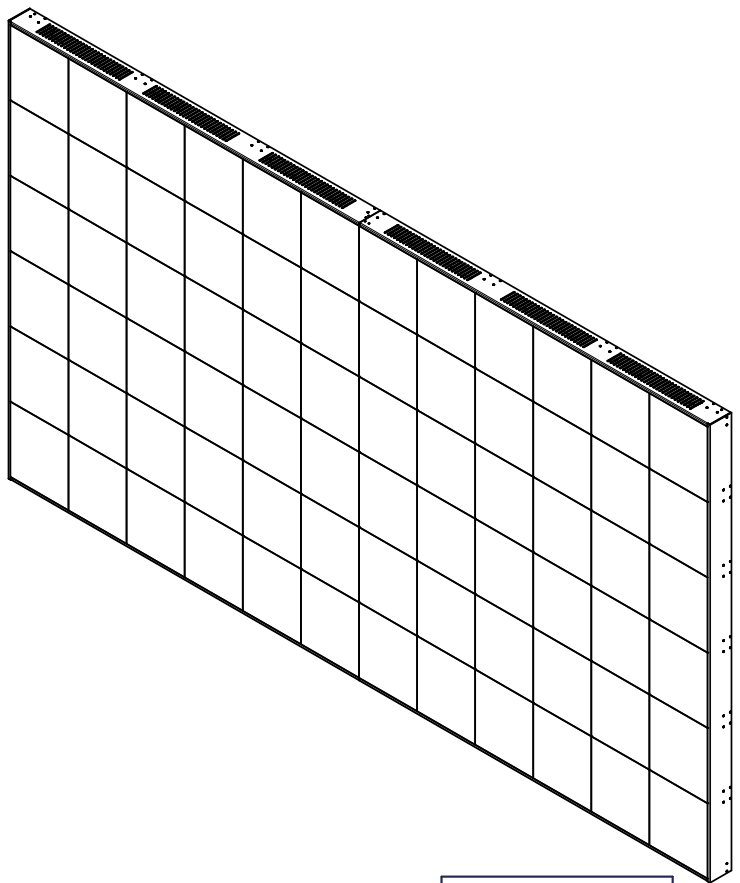
1



119 MIN



FRAME WITH TRIM




Machining Tolerances (mm)	
0 < L <= 6	± 0.1
6 < L <= 30	± 0.2
30 < L <= 120	± 0.3
120 < L <= 400	± 0.5
400 < L <= 1000	± 0.8
1000 < L <= 2000	± 1.2
2000 < L <= 4000	± 2

UNITS IN MILLIMETERS

- NOTES:
 1. TRIM FINISH: TEXTURED BLACK POWDERCOAT PAINT.
 2. COMBINED FRAME AND TRIM WEIGHT = 86 kg (190 lbs)

PROPRIETARY DRAWING NOTICE: THIS DOCUMENT CONTAINS CONFIDENTIAL, PROPRIETARY INFORMATION OF DRAPER, INC., IS THE PROPERTY OF DRAPER, INC., AND MUST BE RETURNED UPON REQUEST. NEITHER RECEIPT NOR POSSESSION THEREOF CONFERS ANY RIGHT TO OWN, REPRODUCE, USE, OR DISCLOSE IN WHOLE OR IN PART, ANY SUCH INFORMATION WITHOUT WRITTEN AUTHORIZATION FROM DRAPER, INC.

TOLERANCES UNLESS NOTED	DESIGNED BY: senochs	7/2/2020
	DRAWN BY: senochs	4/29/2020
	CHECKED BY:	
	MATERIAL:	
THIRD ANGLE PROJECTION	FINISH:	
	DO NOT SCALE	

 DRAPER, INC. 411 S. PEARL ST. SPICELAND, IN 47385 www.draperinc.com		TITLE: FOUNDATION 6 X 6 ABSEN ACCLAIM MOUNT WITH TRIM	
		DWG SIZE: B	REV: OF: 2 4

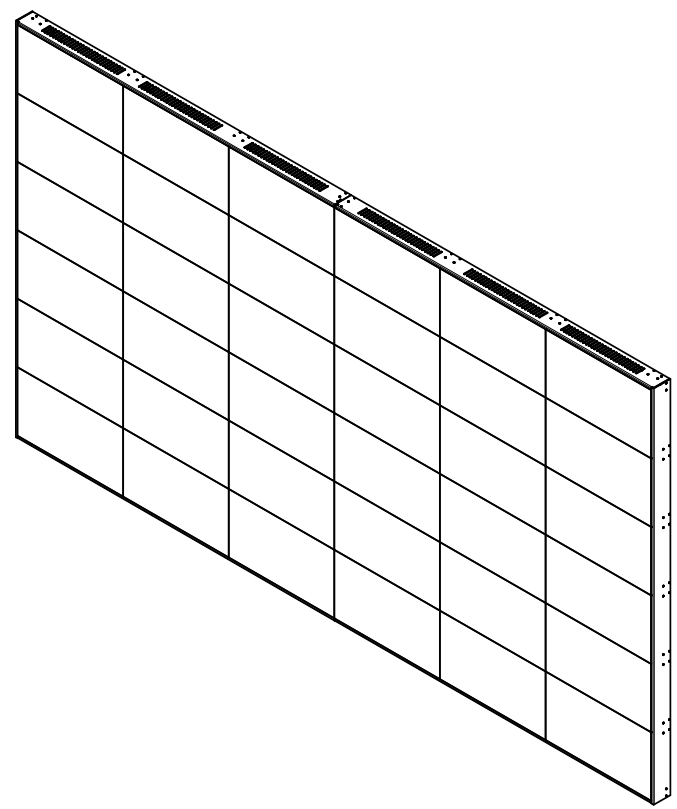
4

3

2

1

4 3 2 1

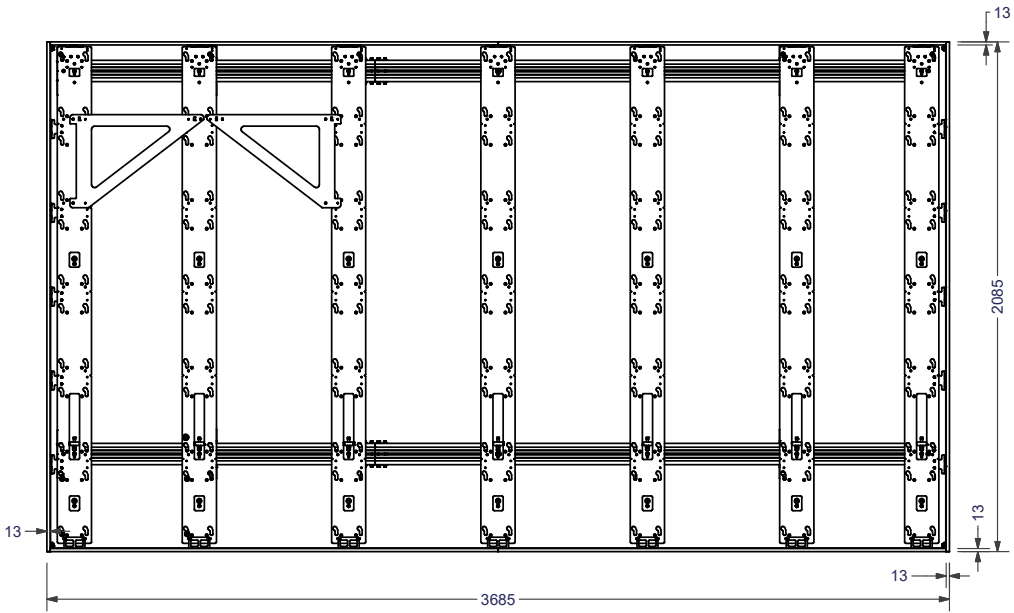


B

B

A

A



- NOTES:
1. TRIM FINISH: TEXTURED BLACK POWDERCOAT PAINT.
 2. COMBINED FRAME AND TRIM WEIGHT = 86 kg (190 lbs)

PROPRIETARY DRAWING NOTICE: THIS DOCUMENT CONTAINS CONFIDENTIAL, PROPRIETARY INFORMATION OF DRAPER, INC., IS THE PROPERTY OF DRAPER, INC., AND MUST BE RETURNED UPON REQUEST. NEITHER RECEIPT NOR POSSESSION THEREOF CONFERS ANY RIGHT TO OWN, REPRODUCE, USE, OR DISCLOSE IN WHOLE OR IN PART, ANY SUCH INFORMATION WITHOUT WRITTEN AUTHORIZATION FROM DRAPER, INC.

TOLERANCES UNLESS NOTED DO NOT SCALE	DESIGNED BY: senochs	7/2/2020	DRAPER, INC. 411 S. PEARL ST. SPICELAND, IN 47385 www.draperinc.com
	DRAWN BY: senochs	11/5/2020	
	CHECKED BY:		
	MATERIAL:		
TITLE: FOUNDATION 6 X 6 ABSEN ACCLAIM PLUS MOUNT WITH TRIM			
FINISH:	DWG SIZE : B	REV: OF:	SHEET: 3 OF: 4
			DWG NO. :

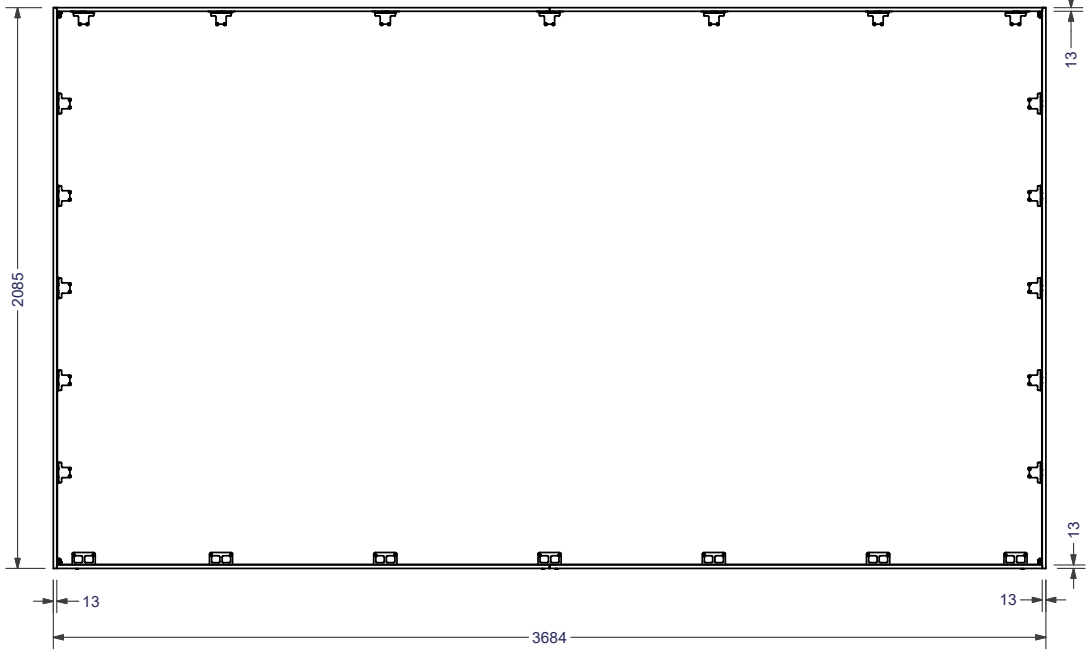
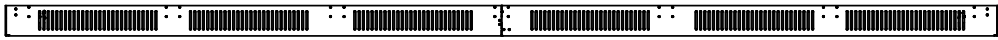
4 3 2 1

4

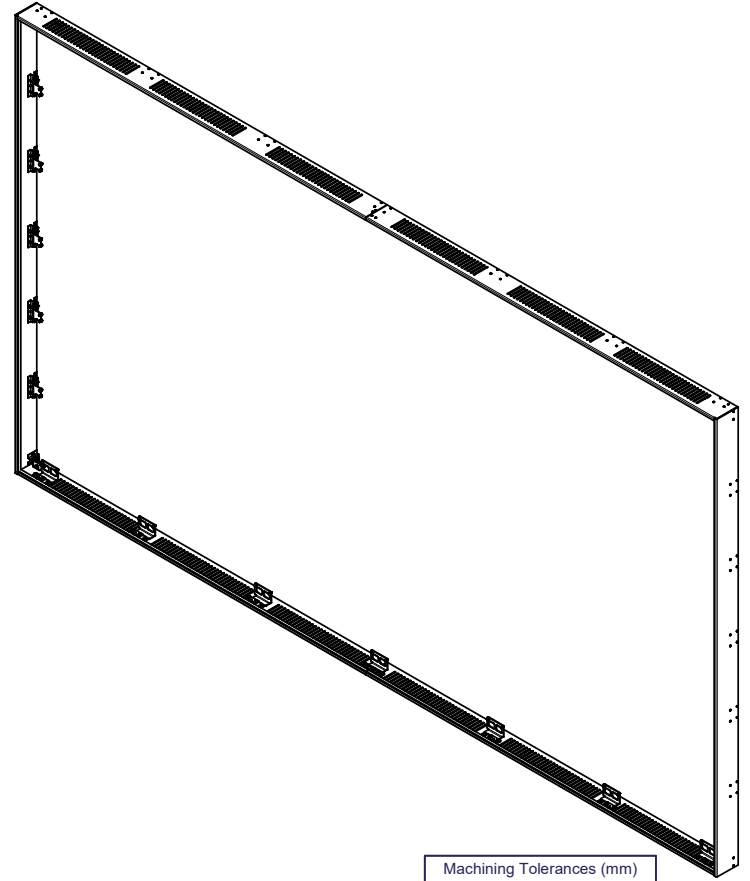
3

2

1



TRIM ONLY





Machining Tolerances (mm)	
0 < L ≤ 6	± 0.1
6 < L ≤ 30	± 0.2
30 < L ≤ 120	± 0.3
120 < L ≤ 400	± 0.5
400 < L ≤ 1000	± 0.8
1000 < L ≤ 2000	± 1.2
2000 < L ≤ 4000	± 2

NOTES:
 1. TRIM WEIGHT = 13 kg (28 lbs)

UNITS IN MILLIMETERS

PROPRIETARY DRAWING NOTICE: THIS DOCUMENT CONTAINS CONFIDENTIAL, PROPRIETARY INFORMATION OF DRAPER, INC., IS THE PROPERTY OF DRAPER, INC., AND MUST BE RETURNED UPON REQUEST. NEITHER RECEIPT NOR POSSESSION THEREOF CONFERS ANY RIGHT TO OWN, REPRODUCE, USE, OR DISCLOSE IN WHOLE OR IN PART, ANY SUCH INFORMATION WITHOUT WRITTEN AUTHORIZATION FROM DRAPER, INC.

TOLERANCES UNLESS NOTED	DESIGNED BY: senochs	7/2/2020	 DRAPER, INC. 411 S. PEARL ST. SPICELAND, IN 47385 www.draperinc.com
	DRAWN BY: senochs	3/5/2020	
	CHECKED BY:		
	MATERIAL:		
 DO NOT SCALE	FINISH:		TITLE: FOUNDATION 6 X 6 ABSSEN ACCLAIM MOUNT TRIM ONLY DWG SIZE : B REV: SHEET: 4 DWG NO. : OF: 4

4

3

2

1