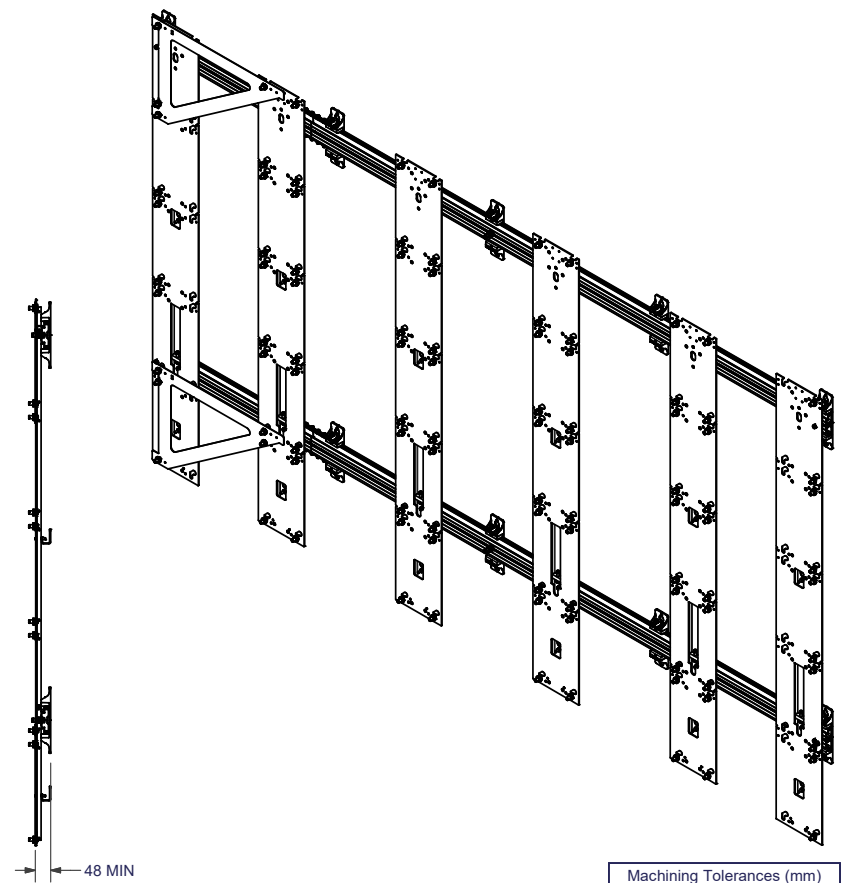


FRAME ONLY





Machining Tolerances (mm)	
0 < L ≤ 6	± 0.1
6 < L ≤ 30	± 0.2
30 < L ≤ 120	± 0.3
120 < L ≤ 400	± 0.5
400 < L ≤ 1000	± 0.8
1000 < L ≤ 2000	± 1.2
2000 < L ≤ 4000	± 2

UNITS IN MILLIMETERS

- NOTES:
 1. FRAME WEIGHT = 72 kg (157 lbs)

PROPRIETARY DRAWING NOTICE: THIS DOCUMENT CONTAINS CONFIDENTIAL, PROPRIETARY INFORMATION OF DRAPER, INC., IS THE PROPERTY OF DRAPER, INC., AND MUST BE RETURNED UPON REQUEST. NEITHER RECEIPT NOR POSSESSION THEREOF CONFERS ANY RIGHT TO OWN, REPRODUCE, USE, OR DISCLOSE IN WHOLE OR IN PART, ANY SUCH INFORMATION WITHOUT WRITTEN AUTHORIZATION FROM DRAPER, INC.

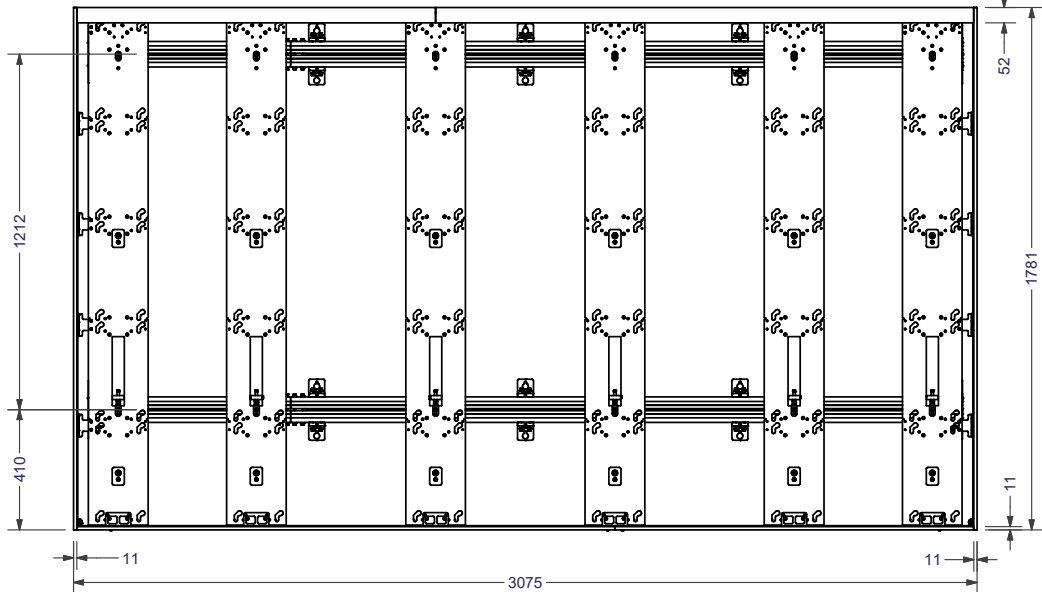
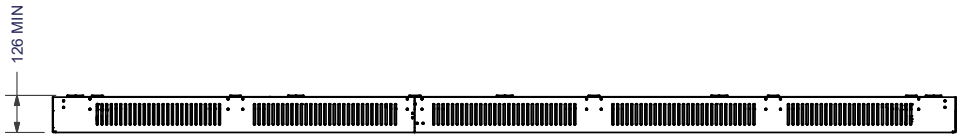
TOLERANCES UNLESS NOTED	DESIGNED BY: senochs	12/17/2019	 DRAPER, INC. 411 S. PEARL ST. SPICELAND, IN 47385 www.draperinc.com
	DRAWN BY: senochs	3/5/2020	
	CHECKED BY:		
	MATERIAL:		
 DO NOT SCALE	FINISH:		TITLE: FOUNDATION 5 X 5 BARCO XT MOUNT - WITHOUT TRIM
	DWG SIZE : B	REV: 1 OF: 3	SHEET: 1 OF: 3
		DWG NO. :	302002

4

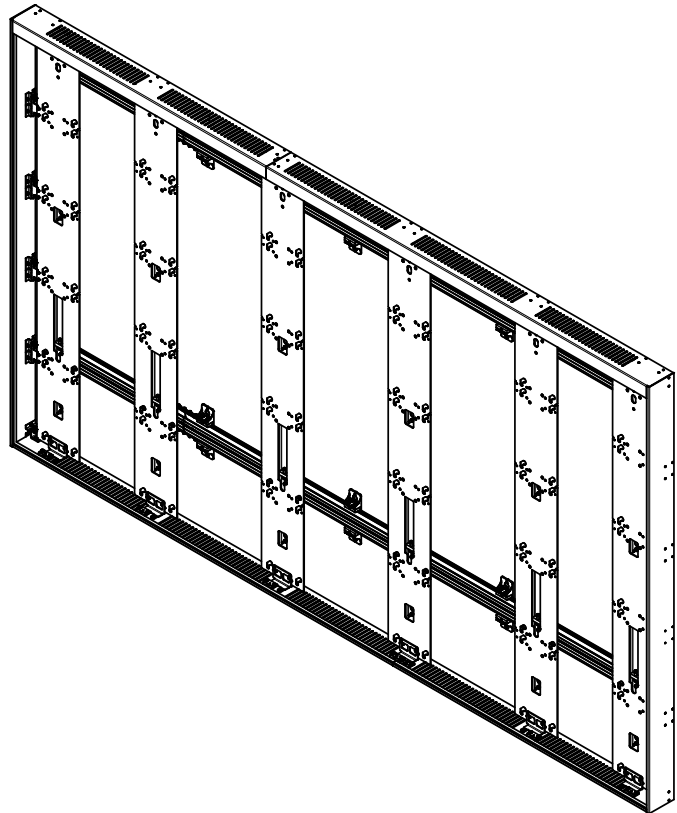
3

2

1



FRAME WITH TRIM



Machining Tolerances (mm)	
0 < L ≤ 6	± 0.1
6 < L ≤ 30	± 0.2
30 < L ≤ 120	± 0.3
120 < L ≤ 400	± 0.5
400 < L ≤ 1000	± 0.8
1000 < L ≤ 2000	± 1.2
2000 < L ≤ 4000	± 2

UNITS IN MILLIMETERS

- NOTES:
1. TRIM FINISH: TEXTURED BLACK POWDERCOAT PAINT.
 2. COMBINED FRAME AND TRIM WEIGHT = 82 kg (178 lbs)

PROPRIETARY DRAWING NOTICE: THIS DOCUMENT CONTAINS CONFIDENTIAL, PROPRIETARY INFORMATION OF DRAPER, INC., IS THE PROPERTY OF DRAPER, INC., AND MUST BE RETURNED UPON REQUEST. NEITHER RECEIPT NOR POSSESSION THEREOF CONFERS ANY RIGHT TO OWN, REPRODUCE, USE, OR DISCLOSE IN WHOLE OR IN PART, ANY SUCH INFORMATION WITHOUT WRITTEN AUTHORIZATION FROM DRAPER, INC.

TOLERANCES UNLESS NOTED	DESIGNED BY: senochs	12/17/2019	 DRAPER, INC. 411 S. PEARL ST. SPICELAND, IN 47385 www.draperinc.com
	DRAWN BY: senochs	4/29/2020	
	CHECKED BY:		
	MATERIAL:		
 DO NOT SCALE	FINISH:		TITLE: FOUNDATION 5 X 5 BARCO XT MOUNT - WITH TRIM
	DWG SIZE: B	REV: OF:	SHEET: 2 OF: 3
			DWG NO.: 302052

4

3

2

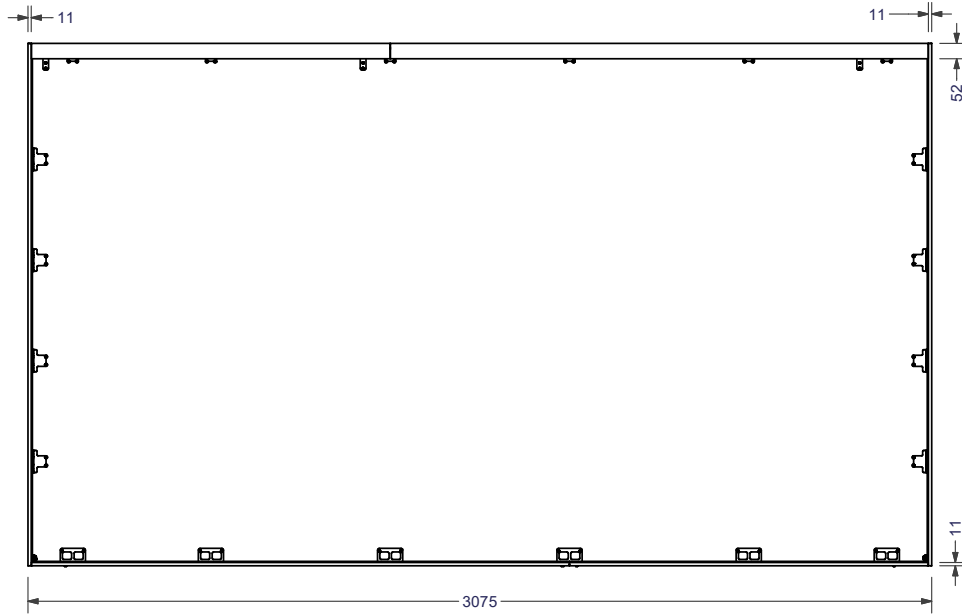
1

4

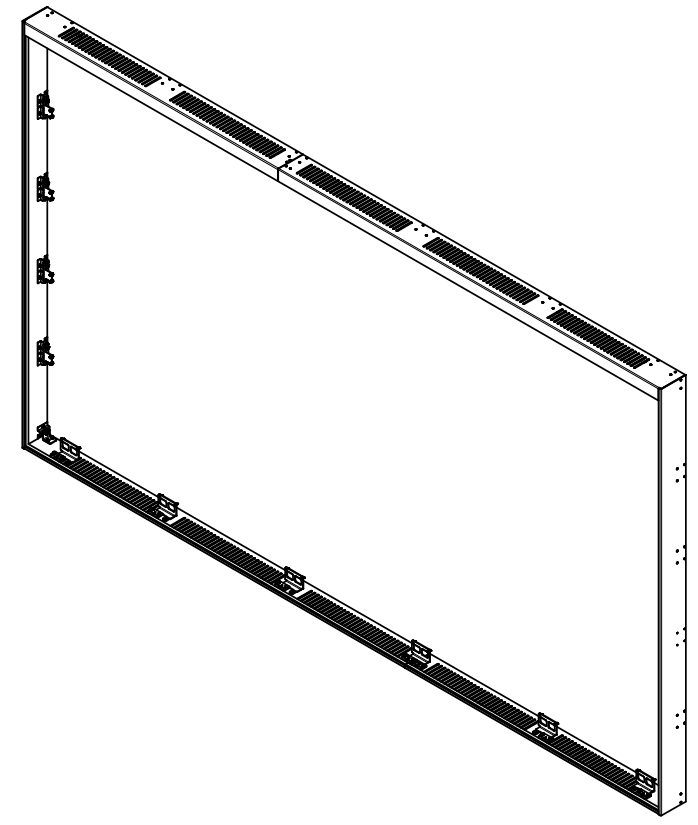
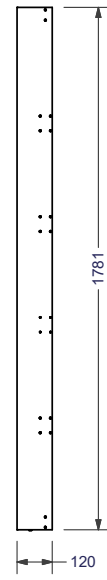
3

2

1



TRIM ONLY





Machining Tolerances (mm)	
0 < L ≤ 6	± 0.1
6 < L ≤ 30	± 0.2
30 < L ≤ 120	± 0.3
120 < L ≤ 400	± 0.5
400 < L ≤ 1000	± 0.8
1000 < L ≤ 2000	± 1.2
2000 < L ≤ 4000	± 2

NOTES:
 1. FRAME WEIGHT = 10 kg (21 lbs)

UNITS IN MILLIMETERS

PROPRIETARY DRAWING NOTICE: THIS DOCUMENT CONTAINS CONFIDENTIAL, PROPRIETARY INFORMATION OF DRAPER, INC., IS THE PROPERTY OF DRAPER, INC., AND MUST BE RETURNED UPON REQUEST. NEITHER RECEIPT NOR POSSESSION THEREOF CONFERS ANY RIGHT TO OWN, REPRODUCE, USE, OR DISCLOSE IN WHOLE OR IN PART, ANY SUCH INFORMATION WITHOUT WRITTEN AUTHORIZATION FROM DRAPER, INC.

TOLERANCES UNLESS NOTED	DESIGNED BY: senochs	12/17/2019	 DRAPER, INC. 411 S. PEARL ST. SPICELAND, IN 47385 www.draperinc.com	
	DRAWN BY: senochs	3/5/2020		
	CHECKED BY:			
	MATERIAL:			
TITLE: FOUNDATION 5 X 5 BARCO XT MOUNT - TRIM ONLY				
 DO NOT SCALE	FINISH:	DWG SIZE : B	REV: OF: SHEET: 3 OF: 3	DWG NO. :

4

3

2

1