

AeroLift 35

Ceiling-Recessed Projector Lift with a 35 lb. (16kg) Lifting Capacity

SUBMITTAL

TECHNICAL INFO

Specifications **Please check all appropriate selections and attach room schedule with verified dimensions.**

QUANTITY: _____ **AEROLIFT 35**
VIDEO PROJECTOR LIFTS.
 Maximum capacity 35 lbs. (including projector, projector bracket, closure and ceiling material attached to closure). Electrically operated 110-120V, 60 Hz. 3-wire motor, instantly reversible, lifetime lubricated, with internal thermal overload protector and brake. UL approved motor. Designed to be ceiling recessed or surface mounted to fit within a standard 2" x 10" beam, 16" on center, ceiling joist pocket. Lift to have scissor arm for stabilization. Factory set limit switches automatically stop travel at open and closed positions. Three-position, 110-120V switch to stop or reverse cycle at any point. Maximum vertical drop to be 24½". Net weight 20 lbs. AeroLift 35 is approved to UL 2442 and CSA C22.2 No. 60065-03.

OPTIONS
OPTIONAL ENVIRONMENTAL AIR SPACE HOUSING: Aluminum and steel, for use in environmental air space. Choose from two sizes: [Small (149/16" x 237/8") Net weight 95½ lbs] and [Large (23½" x 23½") Net weight 139 lbs]. Includes trim ring for ceiling opening.
CEILING CLOSURE PANEL: Finished in white baked textured powder coat, shall descend smoothly with projector. Choose from two sizes: Choose from two sizes (trim edge to trim edge): [SMALL (155/8" x 25"); weight 7.5 lbs;] and [LARGE (25" x 25"); closure & angle brackets weigh 10 lbs].
CEILING FINISH KIT: Finished white. Trims ceiling opening when required. Choose from two sizes: [SMALL] and [LARGE]. Consists of trim ring and closure panel.

CEILING ACCESS DOOR: provides ceiling access when unit is installed above hard ceiling and access to projector is not convenient.
OPTIONAL UNIVERSAL PROJECTOR MOUNT: Fits most projectors up to 26 lbs. Tilt, yaw and pan adjustment.

OPTIONAL VIDEO CONFERENCING CAMERA ADAPTER BRACKET: Enables installation of a video conferencing camera in AeroLift 35. Available in two sizes (Dimensions Small 7½" x 9" x 7½" or Large 9" x 12" x 9"). Special brackets available for oversize or dual camera installation.

Please Note: The AeroLift 35 should be specified in conjunction with a Draper video format motorized screen. Specifications subject to change without notice.

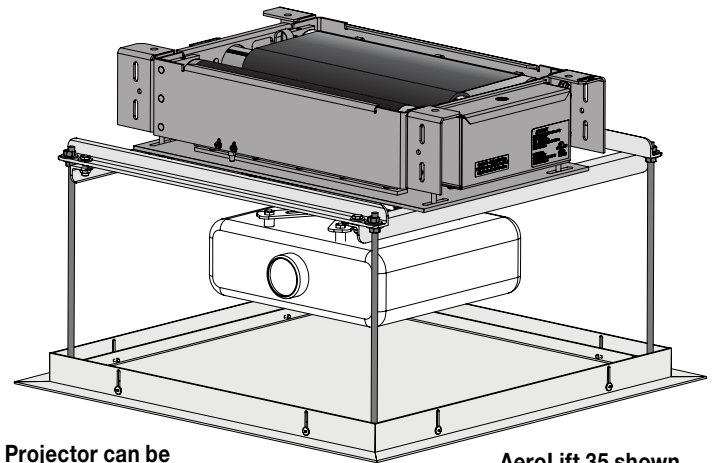
AeroLift 35 is approved to UL 2442 and CSA C22.2 No. 60065-03. Downloadable 3-part specifications: available at www.draperinc.com

Please note: Dimensions of rollers, operators, and hardware at manufacturer's discretion.

Select Control Options:

Please Note: This Draper motorized lift comes with one 110V-120V AC 3-position wall switch (silver wall plate with black rocker).

- _____ Total number of 110-120V AC switches (switches operate independently)
- Substitute white switch(es) for silver wall plate with black rocker
- Optional Lift Low Voltage Control Module
 - 24 Volt 3-Button Switch How many switches? _____
 - Radio Frequency Remote Control (only with 24V)
 - Infrared Remote Control (only with 24V)
- Optional Key Operated Switch
 - Power Supply Key Switch (On-off)
 - 3-Position Key Control
 - 3-Position Switch with Hinged Key-Locking Coverplate



Projector can be installed as shown or turned 90° depending on projector size.

AeroLift 35 shown with optional closure.

Select Optional Accessories (drawings on pages 2 & 3)

Please Note: Available colors listed where applicable. AeroLift is always black.

- Optional Ceiling Access Door:
 - Access above finished ceiling (recommended)
 - Accepts Ceiling Tile
- Optional Environmental Air Space Housing: Small Large (Optional Ceiling Closure Panel not included.)
 - Powder Coat Finish of Visible Trim:
 - White (Standard)
 - Black (Optional)
- Optional Ceiling Closure Panel: Small Large (Pairs with Environmental Air Space Housing.)
 - Powder Coat Finish:
 - White (Standard)
 - Black (Optional)
- Optional Ceiling Finish Kit: Small Large (Ceiling Closure Panel and Trim Kit used to finish ceiling opening when no Environmental Air Space Housing is needed.)
- Optional Universal Projector Mount (max. load 26 lbs).
- Optional Video Conferencing Camera Adapter Bracket
 - Small (9" w. x 7½" h. x 7½" d.) Large (12" w. x 9" h. x 9" d.)
 - Custom for oversize or dual cameras

Dimensions & Data	AeroLift 35 With Small Closure	AeroLift 35 With Large Closure
Height of lift in closed position ¹	4 ¹³ / ₁₆ "	4 ¹³ / ₁₆ "
Maximum Overall lift dimensions (WxL)	12½" x 22¼"	12½" x 22¼"
Ceiling opening (with closure)	23½" x 14 ³ / ₈ "	23½" x 23½"
Optional Env. Air Space Housing (WxL) ²	23 ⁷ / ₈ " x 14 ⁹ / ₁₆ "	23 ⁷ / ₈ " x 23 ⁷ / ₈ "
Max. projector size (with closure) (WxL) ³	8¾" x 18"	20" x 20"
Max. down travel	24½"	24½"
Approx. travel time to lowest position	14 sec.	14 sec.
Total Lifting Capacity (lbs.) ⁴	35	35
Net weight of lift (lbs.) ⁵	20	20
Amperes	1.2	1.2
Projector Outlet Amperage Draw	9.5	9.5

¹ Not including projector, mount or closure.

² Maximum Env. Air Space Housing Height: 20⁵/₈". Min. Env. Air Space Housing Height: 12⁵/₈".

³ Maximum Available Projector/Bracket Height (with Env. Air Space Housing): 15¾"

⁴ Minimum Available Projector/Bracket Height (with Env. Air Space Housing): 7¾"

⁵ Net Weight of Projector + Mount + Closure Panel + Cables

⁶ Unit Only: Does not include projector, mount, Env. Air Space Housing or closure.



Draper, Inc. | 411 S. Pearl St. Spiceland, IN 47385
 draperinc.com | 765.987.7999 | 800.238.7999
 © 2024 All Rights Reserved | FORM: AeroLift35_Sub

PROJECT: _____

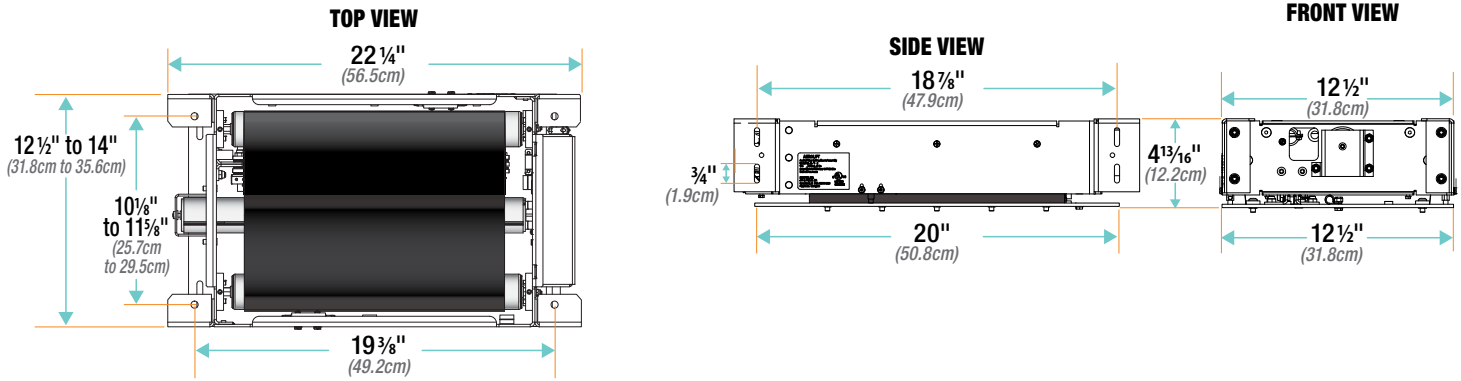
ARCHITECT: _____

CONTRACTOR: _____

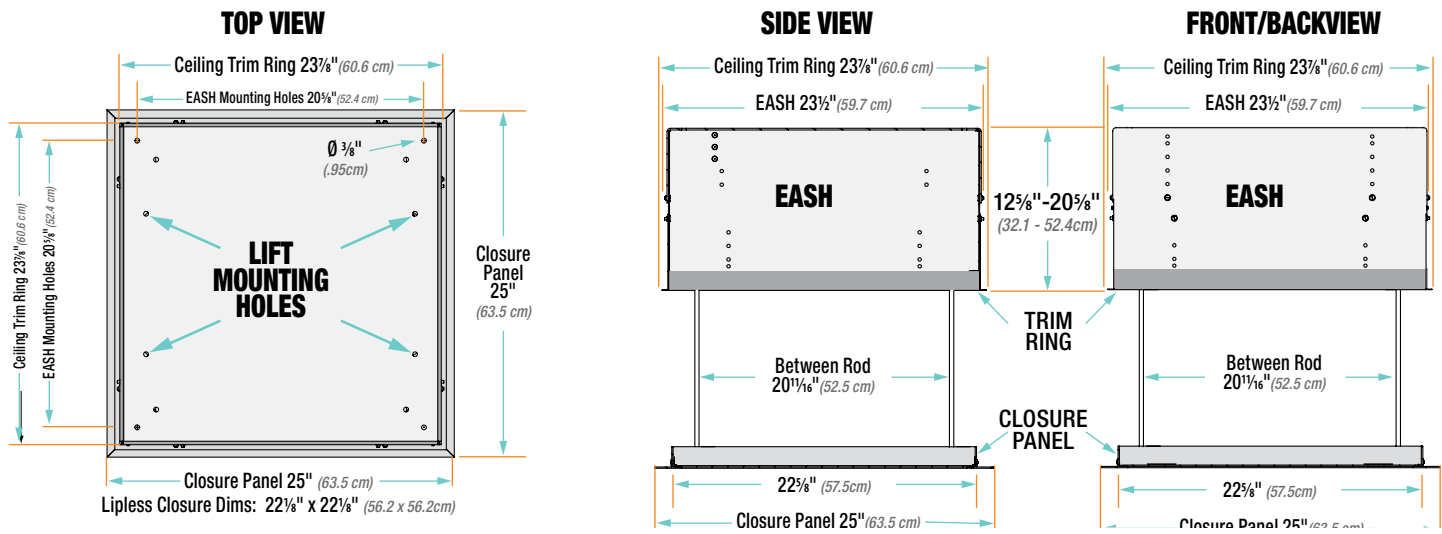
SUPPLIER: _____

DATE: _____ REVISED: _____

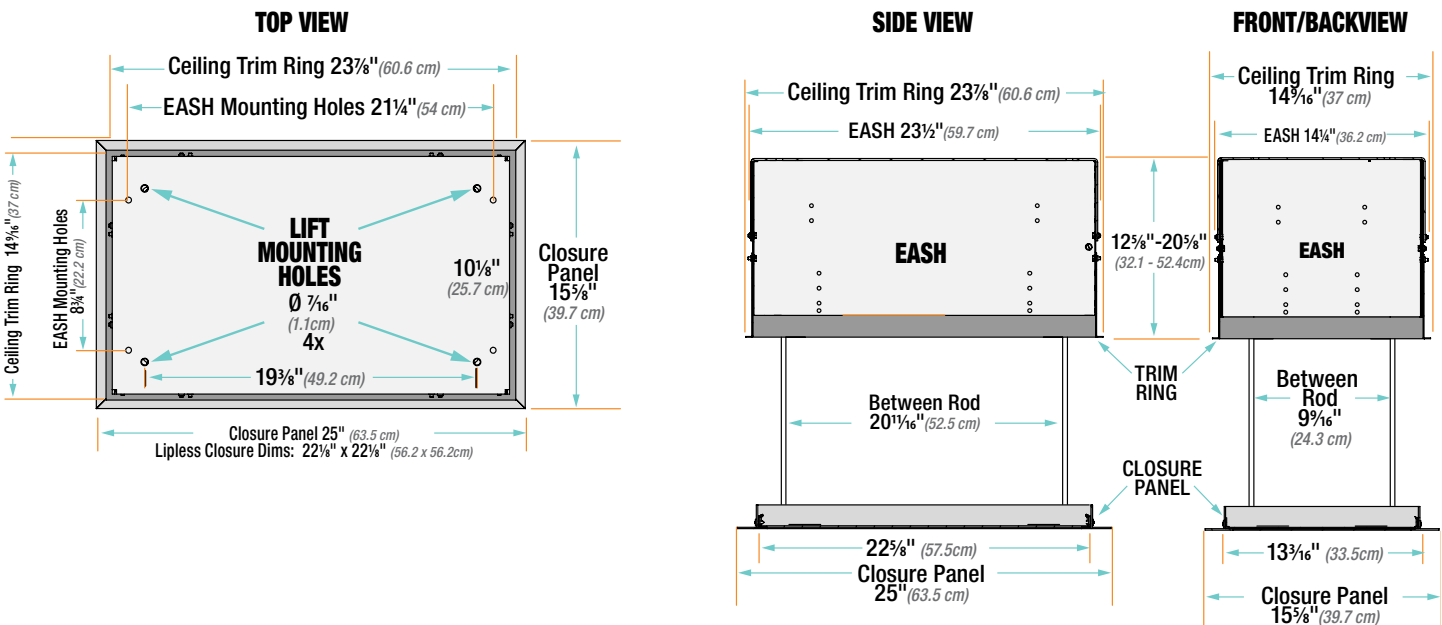
Dimensions



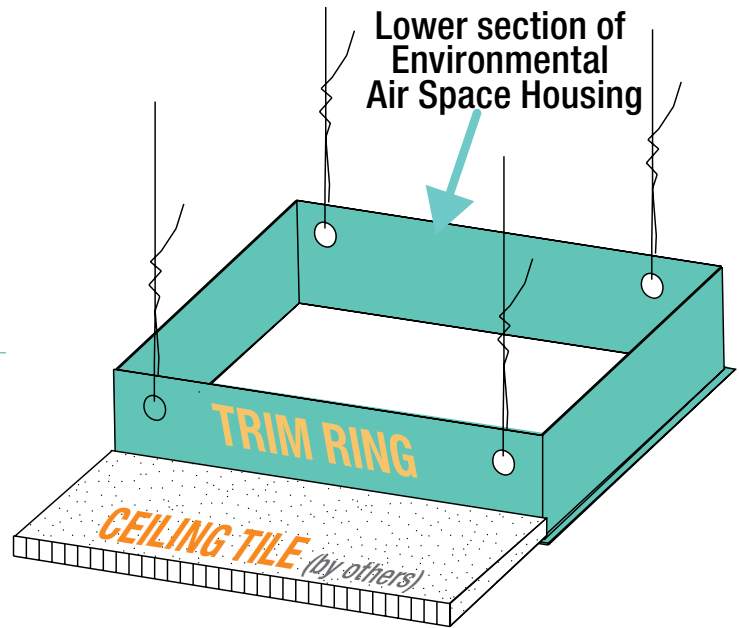
Section 8 - Dimensions: AeroLift 35 with MPL Environmental Air Space and Closure



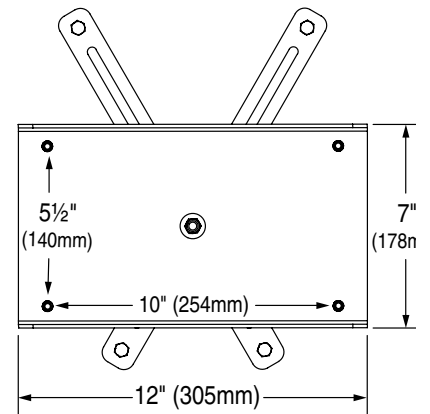
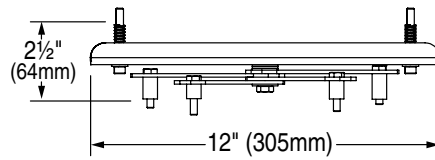
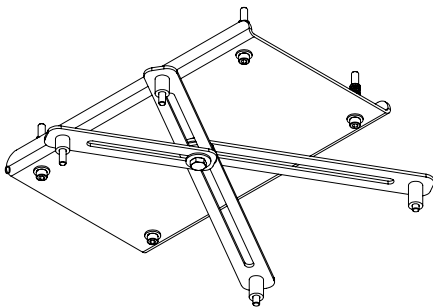
Dimensions - AeroLift 35 with Small Environmental Air Space and Closure



Ceiling Finish Trim Kit
 (includes Closure Panel - for
 use WITHOUT Environmental
 Air Space Housing)



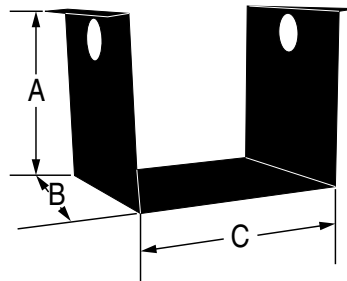
Optional Universal Projector Mount



Optional Video Conferencing Camera Adapter

Available Sizes:

	A	B	C
Small	7 1/2"	7 1/2"	9"
Large	9"	9"	12"



Wiring Diagrams

