

Important Safety/Installation/Operating Instructions

230V AC Scissor Lift SL Video Projector Lift by Draper

U.S. Patent
Number
D395,909

These Installation/Operating Instructions are available in the official language of the country where you purchase the product. Please contact your distributor to request a copy.

Vous pourriez demander les instructions d'installation et d'opération traduites dans la langue officielle du pays où vous achetez le produit. Veuillez demander à votre distributeur.

Die Gebrauchsanweisung für Installation und Konstruktion sind in der offiziellen Sprache des Landes, indem Sie das Produkt gekauft haben, vorhanden. Fragen Sie die jeweilige Verkaufs-Abteilung.

⚠ Caution:

IMPORTANT SAFETY INSTRUCTIONS

Read all instructions completely before proceeding.

⚠ DANGER: To reduce risk of shock:

- ① Always disconnect power from lift before cleaning.
- ⚠ **WARNING**—To reduce risk of burns, fires, electric shock or injuries to persons:
- ② Disconnect power from lift before putting on or taking off parts.
- ③ Use this lift only for its intended use as described in these instructions. Do not use attachments not recommended by the manufacturer.
- ④ Never operate this lift if it has a damaged cord or plug. If it is not working properly, call your dealer or the manufacturer for assistance/repair.
- ⑤ Keep cords away from heated surfaces.
- ⑥ Never operate lift with air opening blocked. Keep the air openings free of lint, hair, and the like.
- ⑦ Never drop or insert any object into any opening.
- ⑧ Do not use outdoors.
- ⑨ Route cords and cables as shown in the instructions.
- ⚠ **WARNING: Risk of Electric Shock—connect this product to a properly grounded electrical supply.**

IMPORTANT INSTALLATION/OPERATING INSTRUCTIONS

- ⚠ **WARNING: To prevent injury, this apparatus must be securely attached to the building structure in accordance with the instructions.**
- ⚠ **Caution: Do not operate Scissor Lift SL without a minimum of 7 kg of weight attached to the pan. Operating without weight may cause cables to unspool.**
- ⑩ Test lift prior to installation.
Please Note: Packaging must be removed from lift before testing.
- ⑪ Follow instructions carefully. Installation contrary to instructions invalidates warranty.
- ⑫ Do not obstruct operation of Scissor Lift SL with fingers or any object. Serious injury or damage could result.
- ⑬ Lift is intended for use with product weighing not more than 45kg.
- ⑭ Scissor Lift SL is designed to accommodate ceiling suspended equipment. **Equipment should not be allowed to rest on optional ceiling closure during operation (refer to section titled "Installing Projector").**
- ⑮ Entire bottom of unit must be unobstructed to permit proper operation. Sufficient clearance must be allowed below projector or optional ceiling closure: 122 cm for Model SL4, 309 cm for Model SL10, etc.
- ⑯ Unit must be installed level (use a carpenter's level).
- ⑰ Unit operates on 230V AC 50 Hz. current. 4.5 amps current draw (1 amp for lift, 3.5 amps for outlet).
- ⑱ Verify the show position when testing lift. Make required changes by referring to adjustment instructions on page 4 of this document.
- ⑲ The maintenance/service factory limit setting must not be adjusted to a lower position than the preset factory limit setting. In addition, Draper does not recommend setting show position at the maintenance/service position—for example, if you wish to have 244 cm show position, order a lift with at least a 305 cm maintenance position.
- ⑳ **When the Scissor Lift SL is to be installed in "other space used for environmental air" the optional environmental air space housing must be installed per instructions to isolate the lift from the "other space used for environmental air."**
- ㉑ When Scissor Lift SL is **NOT** installed in environmental air space housing and optional ceiling closure, the **ALTERNATE** wiring for up limit switch may be used (see Alternate Wiring schematic on page 5).

⚠ **CAUTION: Before servicing unit, disconnect hardwired control and any remote control.**

Note: Unit has been thoroughly inspected and tested at factory and found to be operating properly prior to shipment.

DRAPER

411 S. Pearl St., Spiceland, IN 47385 USA ■ 765-987-7999

www.draperinc.com ■ fax 765-987-7142

Copyright © 2015 Draper Inc.

Form ScissorLiftSL-230V_Inst17

Printed in U.S.A.

Electrical Connections

Unit operates on 230V AC, 50 Hz. current.

4.5 amps current draw (1 amp for lift, 3.5 amps for outlet).

Opening the electrical box exposes terminals for field connections.

Unit is shipped with internal wiring complete.

Wire to connect unit to power supply should be furnished by installer.

Connections should be made in accordance with wiring diagram, and wiring should comply with national and local electrical codes.

An appropriate disconnect device shall be provided as part of the building installation. All operating switches should be "off" before power is connected.

⚠ **Caution: Make sure electrical supply has been disconnected before attempting to connect Scissor Lift to electricity.**

Scissor Lift should be operated and checked prior to installing projector and/or optional ceiling closure.

Low Voltage Control Switch shown on Page 2 comes with 22.8 m of non-plenum rated cable and should be plugged in to Control Panel on top frame of lift for control of the "Up" and "Show" positions.

Momentary Key Switch shown on Page 2 comes with 22.8 m of cable and should be plugged in to Control Panel on top frame of lift for control of the "Service" position.

Planning

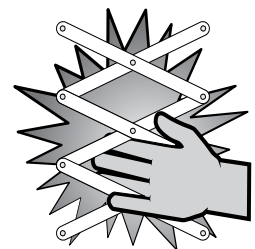
- ① Based on screen location and projector specifications, determine proper position for projector installation.
- ② Confirm that there is adequate space for installation and operation. Minimum clearance above ceiling level varies according to Scissor Lift model, plus height of projector, optional mounting bracket, optional ceiling closure, and optional Environmental Air Space Housing.
- ③ Arrange to provide service access to the unit.
- ④ Maximum lifting capacity is 45 kg.

As Soon As Scissor Lift Arrives

- ① Open carton and inspect for damage.
- ② Locate the following parts:
 - A. The unit itself
 - B. Controls
 - C. Optional equipment:
 - I. Environmental Air Space Housing,
 - II. Universal Projector Mount,
 - III. Closure Panel or Ceiling Finish Kit
(all ship in separate cartons).
- ③ Test lift prior to installation.

Please Note: Packaging must be removed from lift before testing.

⚠ **Caution: Beware of pinch points**



If you encounter any difficulties installing or servicing your Scissor Lift SL, call your dealer or Draper, Inc. in Spiceland, Indiana, 765-987-7999, or fax 765-987-7142.

Hanging Unit

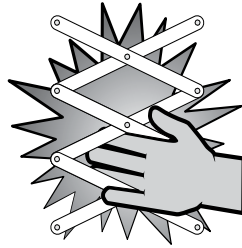
Please note: If using Environmental Air Space Housing option, go to Environmental Air Space Housing instructions on page 3.

The Scissor Lift may be installed in a variety of ways; recessed above the ceiling, or suspended below the ceiling. The lift should be supported by four 12.7 mm threaded mounting rods or bolts with locking nuts. If ceiling recessed, the entire unit (including the projector) should set approximately 38 mm above the finished ceiling in its "stored" position. The threaded rods should pass through the corner mounting flanges and be secured by nuts above and below. The unit should then be guy wired or blocked to prevent swinging.

All installations should observe the following guidelines:

- ① If installing above a hard ceiling, optional Draper Access Panels are available to allow access to the unit.
- ② Installer must ensure that all fasteners and supports are of adequate strength to securely support Scissor Lift and projector.
- ③ Fastening methods must be suitable for mounting surface, and securely anchored so that vibration or abusive pulling on unit will not weaken installation.
- ④ Unit should be level, with weight shared more or less equally by all four threaded mounting rods.
- ⑤ Bottom of unit must be unobstructed after installation. Sufficient clearance must be allowed below projector or optional ceiling closure.
- ⑥ Unit must be secured independent from suspended ceiling and do not use unit to support adjacent ceiling, light fixtures, etc.
- ⑦ Unit to be installed so when lowered to its lowest point, it is a minimum of 8 feet (2.44 m) above the floor.
- ⑧ Do not complete the ceiling below unit until electrical connections have been completed and unit has been operated successfully.
- ⑨ We recommend that safety cables be attached to the Scissor Lift SL for added security (a sound installation practice with overhead equipment).
- ⑩ **When the Scissor Lift SL is to be installed in "other space used for environmental air" the optional Environmental Air Space Housing must be installed per instructions to isolate the lift from the "other space used for environmental air."**

⚠ Caution: Beware of pinch points



Please Note: Scissor Lift SL must be installed in accordance with the requirements of the Local Building Codes, the Canadian Electrical Code (CEC), CAN/CSA C22.1 and the National Electric Code (NEC), NFPA 70, as required. An appropriate disconnect device shall be provided as part of the building installation.

Operation

Before operating or testing the unit, make sure the packaging has been removed from the unit. Remove the corrugated block from the cardboard sleeve (bottom-most packaging material), then collapse the sleeve and remove it, along with the rest of the packaging. Next, operate the lift in the "up" direction, so the lift's control encoder will recognize its "home" location. Until you do this, the Down function will not work. **You must also do this if the Scissor Lift ever loses or is disconnected from the power.**

When unit is first operated, be cautious! If unit fails to operate properly, press "off" and recheck electrical connections before proceeding. Cycle unit down and up several times to confirm satisfactory operation.

⚠ Caution: Do not pull on or touch safety belt when unit is in motion. If belt locks, the cables will unspool.

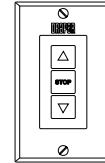
⚠ Caution: Obstructing bottom pan may cause cables to unspool.

⚠ Caution: Do not operate Scissor Lift SL without a minimum of 15 lbs. of weight attached to the pan. Operating without weight may cause cables to unspool.

Standard Single Station Low Voltage Control

(See Fig. 1)—One three-button switch with "up", "down", and "off" buttons. Lift starts up or down when appropriate button is pressed, and may be stopped by pressing "off" button. Factory set limit switches stop lift automatically when projector is in "show" position. One momentary key switch lowers lift from "show" to "service" position.

Lift LV Switch
Up & Show



SP-KSM Service

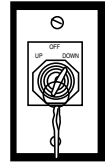


Figure 1

Optional Multiple Station Control—

Optional, moves lift from "stored" to "show" position only. Each switching station has a three-button switch with "up", "down", and "off" buttons. Lift starts up or down when appropriate button is pressed, and may be stopped by pressing "off" button. Factory set limit switches stop lift automatically when projector is in "show" position.

Optional Key Operated Switch—

If ordered, the standard Lift LV Switch can be replaced with a second single station, momentary key-operated three position (up/off/down) switch. Multiple Station Control required for this option. Moves lift from "stored" to "show" position only.

Optional Infrared or Radio Frequency Remote Control—

If ordered, a three-button transmitter is provided, with "up", "down", and "stop" buttons. Unit starts up or down when appropriate button is pressed, and may be stopped by pressing "off" button. Factory set limit switches stop unit automatically when projector is in "show" position. Only controls "show" and "stored" positions.

Optional RS232 Control—

For Serial communication an R2D7 Serial Communications Interface is optionally available.

Low Voltage Trigger—

Input provided for Low Voltage Trigger from projector (see diagram on page 4).

Adjusting for Level or Center of Gravity (See Fig. 2 Below)

Preferred Method—Adjusting Projector Pan

The Projector Pan can be moved forward or back.

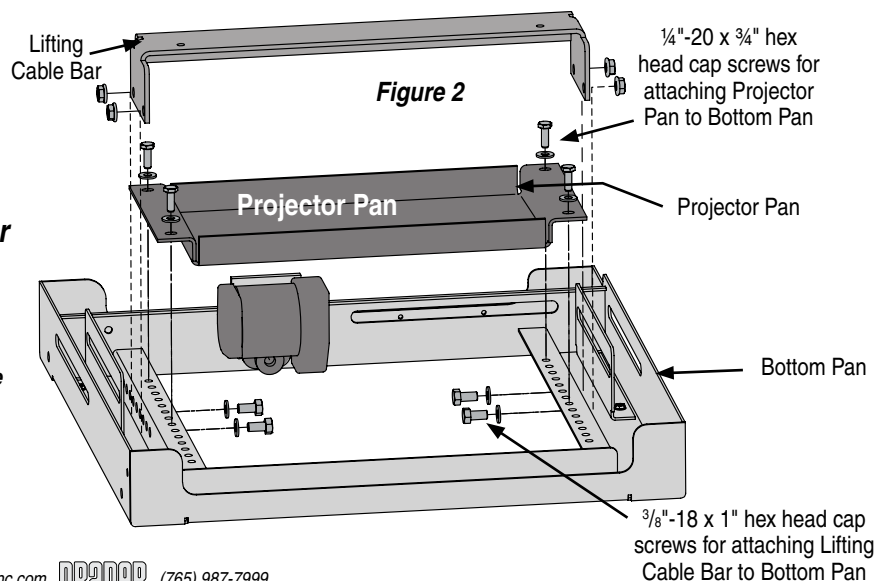
- ① **Make sure Bottom Pan is supported.**
- ② Remove the Lifting Cable Bar.
- ③ Remove screws holding Projector Pan on Bottom Pan.
- ④ Move Bottom Pan forward or back.
- ⑤ Replace screws.
- ⑥ Replace Lifting Cable Bar.

Secondary Method—Adjusting Lifting Cable Bar (if above does not work)

Run the unit to its "Service" position and make sure pan is level.

Try and set so that pan is not more than 19mm out of level. However, the pan does not have to be perfectly level, as long as the positioning is consistent and repeatable in "Show" and "Closed" positions.

- ① **Make sure Bottom Pan is supported.**
- ② Remove screws holding Lifting Cable Bar to the Bottom Pan.
- ③ Move Lifting Cable Bar forward or back.
- ④ Replace screws.
- ⑤ Check level again. If still not level, repeat.



Installing Projector

Generally, the video projector should be suspended from the Projector Pan according to projector manufacturer's instructions and recommended standard ceiling mounting hardware. Projector should be bolted to Projector Pan as in a normal ceiling mounting. Equipment should not be allowed to rest on optional ceiling closure during operation.

The Scissor Lift SLX has a grounded 230V AC, 50 Hz outlet for projector power supply.

Control cables should be laced through our Cable Management System on rear scissor mechanism only. Route the cables and attach with plastic wire ties similar to factory installed power cable. Make sure to use flexible cables. Plenum rated cables are typically too stiff and should not be used. Installer is responsible for ensuring cables do not stretch, kink, or interfere with the scissor mechanism as the unit raises and lowers. This will ensure that cords do not become tangled and damaged during Scissor Lift SL operation.

Unit and projection system should be operated, checked and adjusted as necessary at this time.

NOTE: Immediately upon completion of the surrounding ceiling, units should be operated to confirm that optional ceiling closure panel stops just short of touching ceiling in closed position.

Warning: Keep fingers and other objects away from automatic ceiling closure and scissor mechanisms when unit is operating. Serious injury or damage could result.

Installing Projector Using Universal Projector Mount

(Maximum Capacity 11.7 kg)

See **Installation Instructions** included with Universal Projector Mount.

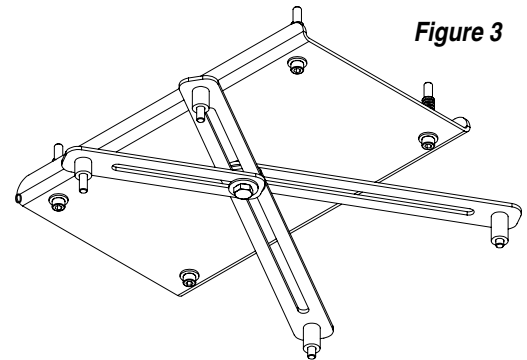
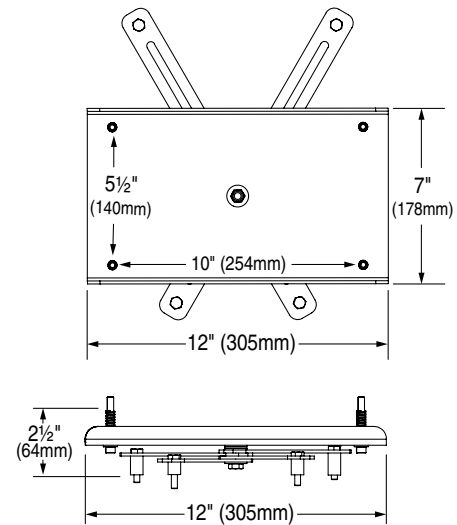


Figure 3



Attaching Universal Projector Mount to Projector Pan

If you ordered the unit with optional Universal Projector Mount pre-installed, disregard these instructions.

If you did not order the mount pre-installed, you will need to install a new Projector Pan, which includes the Universal Projector Mount's rectangular plate.

- ① Lower unit until the Bottom Pan is resting on a tabletop or other stable and sturdy surface.
- ② Remove Lifting Cable Bar from Bottom Pan (see Fig. 2).
- ③ Remove bolts holding Projector Pan to Bottom Pan (see Fig. 2).
- ④ Remove Projector Pan and set aside.
- ⑤ Place new Projector Pan with Universal Mount into place.
- ⑥ Re-attach Projector Pan to Bottom Pan.
- ⑦ Re-attach Lifting Cable Bar to Bottom Pan.

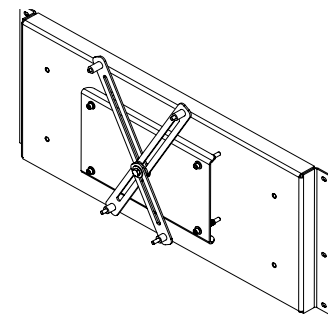
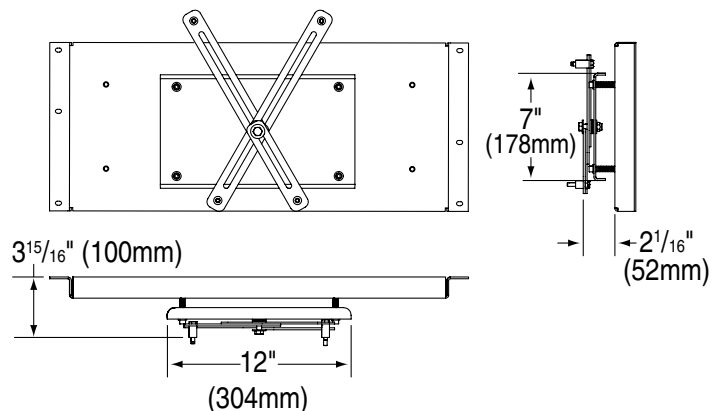


Figure 4

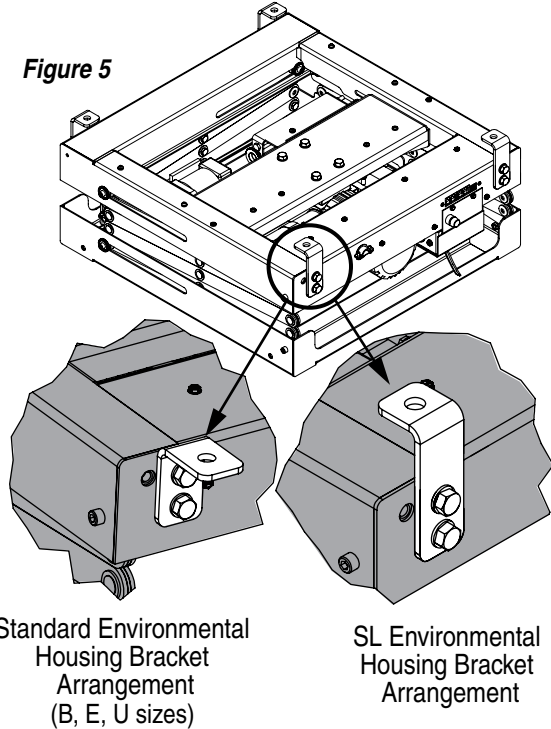


Installing Optional Environmental Air Space Housing

The Environmental Air Space Housing is shipped in pieces, and must be assembled by the installer. The height of the Environmental Air Space Housing is set by drilling out the knockouts at the desired locations then using screws to connect side panels. It is recommended that an access panel be installed in the ceiling to allow future access. The optional environmental air space housing must be installed to isolate the lift from the "other space used for environmental air." Includes trim ring for ceiling opening.

See installation instructions included with Environmental Air Space Housing.

Figure 5



Please Note: When using the Environmental Air Space House "SL" size, the mounting brackets attached to the top four corners of the Scissor Lift SL must be removed, and replaced with brackets which are shipped with the Environmental Air Space Housing (see Fig. 5).

Installing Optional Ceiling Closure

If your Scissor Lift SL is equipped with optional ceiling closure, it can be used as is, or in conjunction with a square of existing ceiling tile. See installation instructions included with ceiling closure.

Installing Optional Ceiling Trim Kit

The Scissor Lift SL is available with a ceiling trim kit, which consists of the lower section of the Environmental Air Space Housing and the optional closure panel. See installation instructions included with Ceiling Trim Kit.

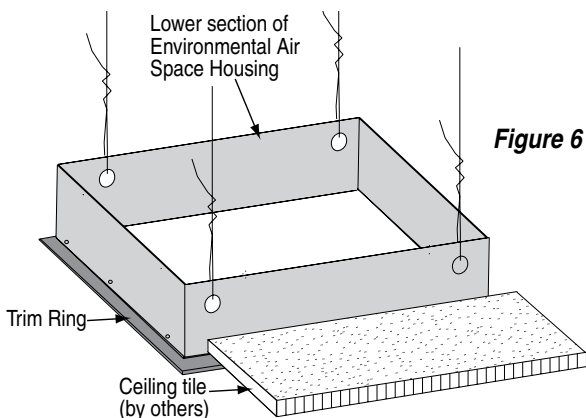
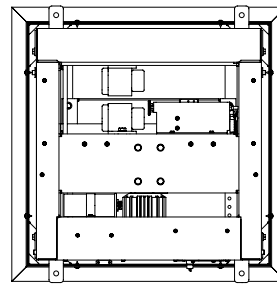
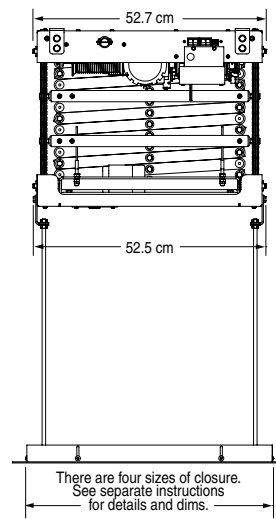


Figure 6

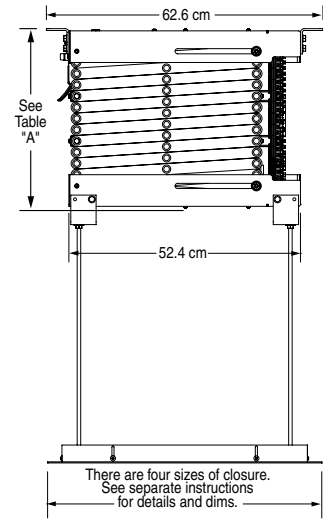
Scissor Lift SL Dimensions



Top View



Front View



Side View

Model	Table A	
	Closed Height	Extended Height
SLX4	20.3cm	1.2m
SLX6	25.4cm	1.8m
SLX8	30.5cm	2.4m
SLX10	35.5cm	3.0m
SLX12	40.6cm	3.6m

Scissor Lift SL Inspection and Maintenance

Draper recommends inspecting the Scissor Lift SL at least annually or every 300 cycles—whichever comes first.

A recommended maintenance schedule includes:

-Cables:

Check for fraying.

-Drive Chain Gears:

Check for rust, breaks, secure attachment.

-Fasteners along scissor arm assemblies:

Make sure they are not loose. If any are loose, hand tighten the nuts.

Please Note:

There is no need to tighten nut in the top scissor which slides back and forth in the side slot in the lift. Tightening this fasteners assembly will cause the unit to lock up and lead to damage to the unit.

-Closure:

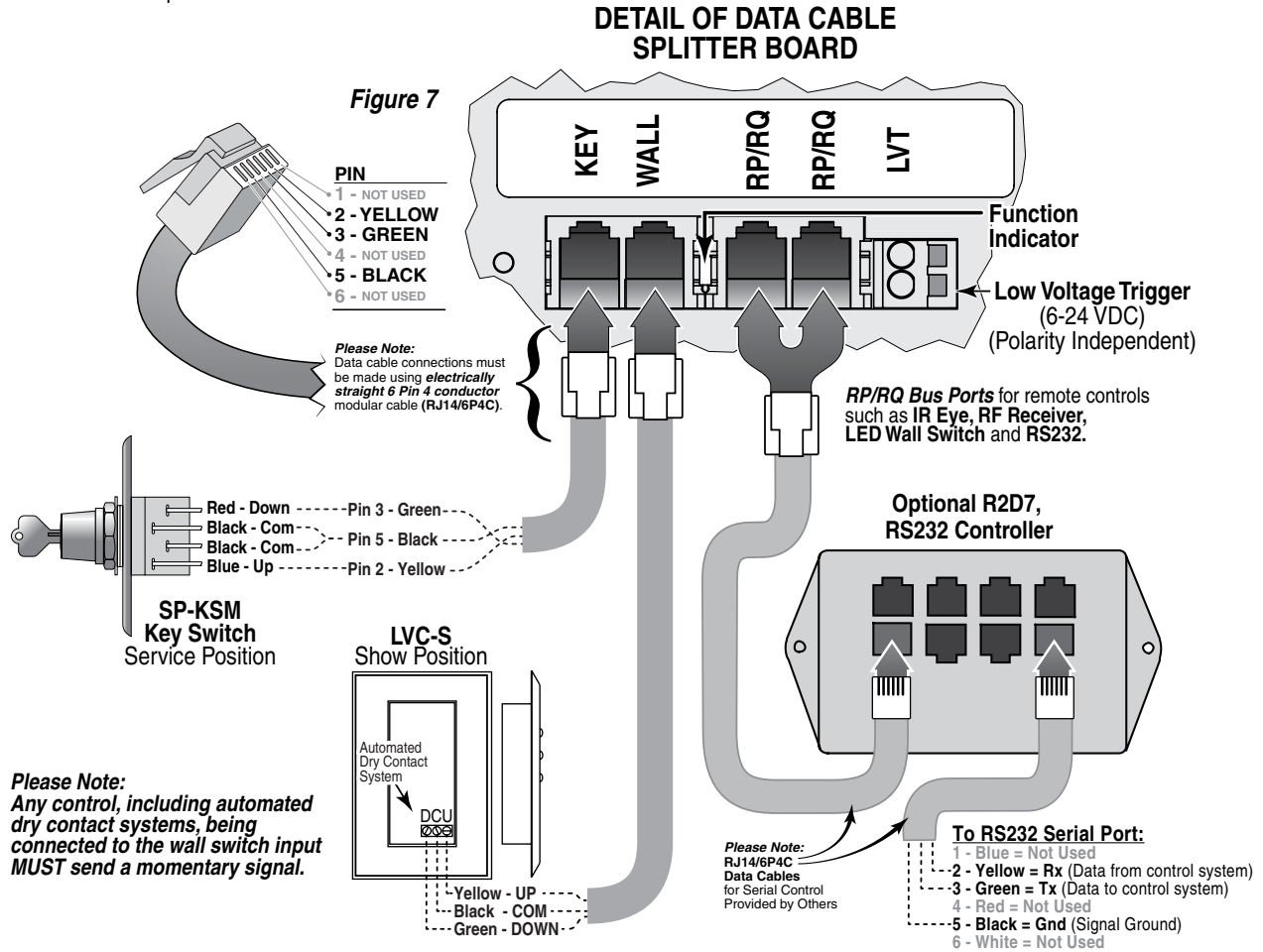
Make sure threaded rod remains seated firmly in the closure panel corners, and that nuts remain tight. If they are loose, tighten them.

Connecting Controls to Data Cable Splitter Board

Controls plug into the *Data Cable Splitter Board* (See diagram below) which is located on the Top Frame on the front side of the lift, using *RJ14/6P4C connectors*.

For *IR or RF Remote Control*, use data cable with RJ14/6P4C connectors on both ends.

For *serial control of "Show" position*, use data cable with RJ14/6P4C connectors on both ends and an R2D7 Serial Control Interface. Plug into the "RP/RQ" input.



Clearing and Resetting Show Position

CLEARING THE SHOW POSITION AT CURRENT SHOW POSITION:

- 1 Move lift to the show position.
- 2 While lift is at the show position press and hold the Key Up toggle switch and release once the Lift begins moving upward.
- 3 The show position is now cleared and ready for a new show position to be set.

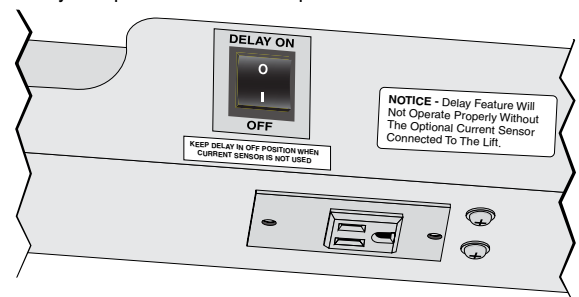
PLEASE NOTE: At this point the Key Switch will not operate until the new "Show Position" has been set. Also the 3-Button Wall Switch changes into a maintain, push and hold type button, for continuous movement. This allows for easy setting of new "Show Position")

PROCEDURE FOR SETTING SHOW POSITION:

- 1 Now that the show position has been cleared, use wall switch up and down buttons to get lift into desired show position.
- 2 While lift is at desired show position, press and hold the Key Down toggle switch until lift begins to move upward. Lift will begin a calibration cycle where it will move upward for two seconds, stop then move down for one second and then the Lift will return to the desired show position.

Optional Delay Feature

- 1 When the Optional Delay Feature is installed the Delay Switch must be in the "Delay On" position for normal operation.



- 2 If the Optional Delay Feature is installed and the "Show Position" requires adjusting, then the "Delay Switch" must be switched to **OFF** while adjusting the show position.

CAUTION: Be sure all switches are in **OFF** position before adjusting limit switch. Always be prepared to shut lift off manually when new adjustment is being tested. Please refer to wiring diagram.

PLEASE NOTE: If the Scissor Lift loses power, the **DOWN** function will not work until you operate the lift in the **UP** direction using the wall switch. This allows the lift's control encoder to recognize it's "home" location.

Adjusting Limit Switches

PLEASE NOTE:

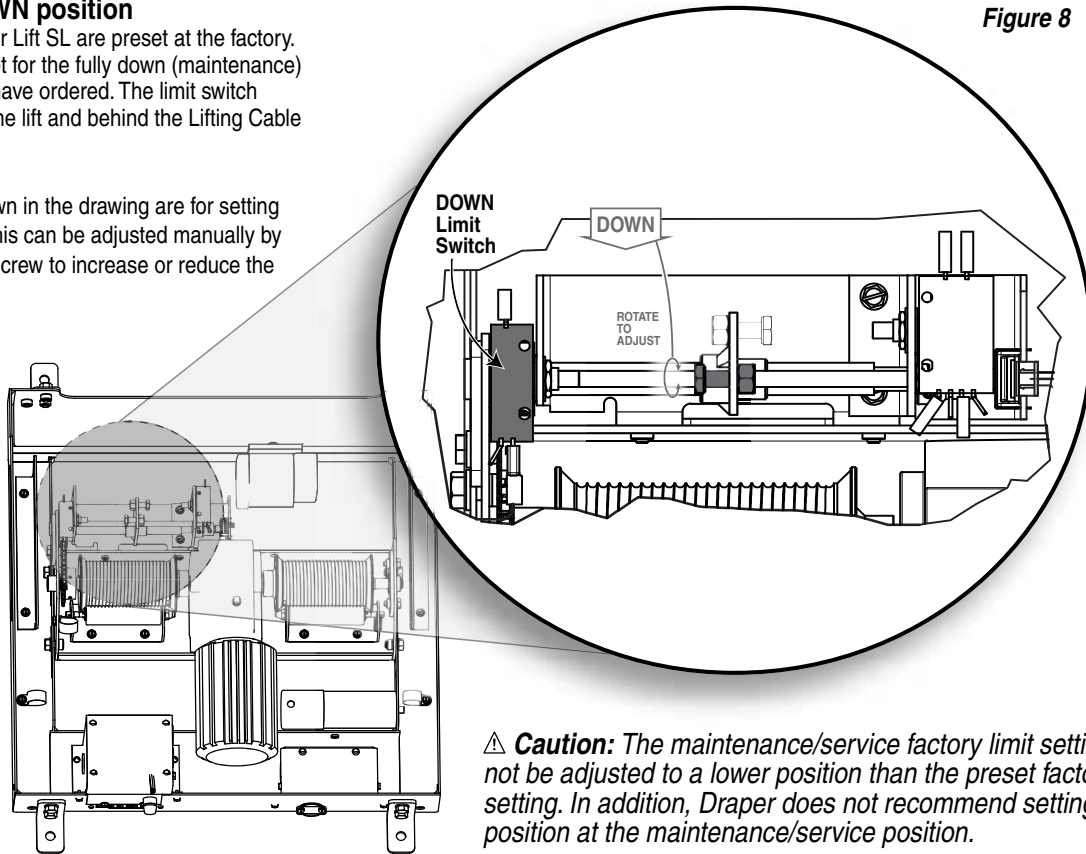
Changing the fully open or fully closed position will reset the electronic controls and cause the lift to operate improperly. Please call Draper before attempting these adjustments.

Adjusting FULLY DOWN position

Limit switches for the Scissor Lift SL are preset at the factory. The **DOWN** limit switch is set for the fully down (maintenance) position for the size lift you have ordered. The limit switch assembly is located inside the lift and behind the Lifting Cable Drum.

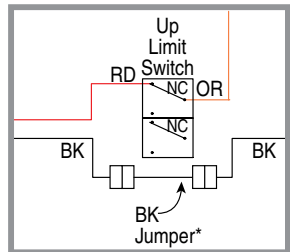
The Down limit switch shown in the drawing are for setting the "Fully Down" position. This can be adjusted manually by loosening or tightening the screw to increase or reduce the travel.

Figure 8



⚠ Caution: The maintenance/service factory limit setting must not be adjusted to a lower position than the preset factory limit setting. In addition, Draper does not recommend setting show position at the maintenance/service position.

ALTERNATE 'UP' LIMIT SWITCH WIRING



NOTE: This CANNOT be used when lift is installed in Environmental Air Space Housing and Optional Ceiling Closure

Wiring Schematic

