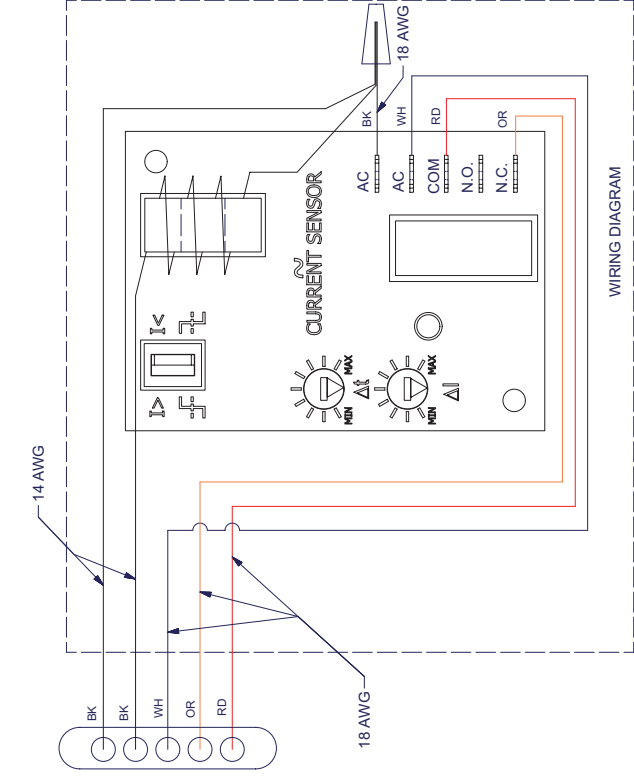


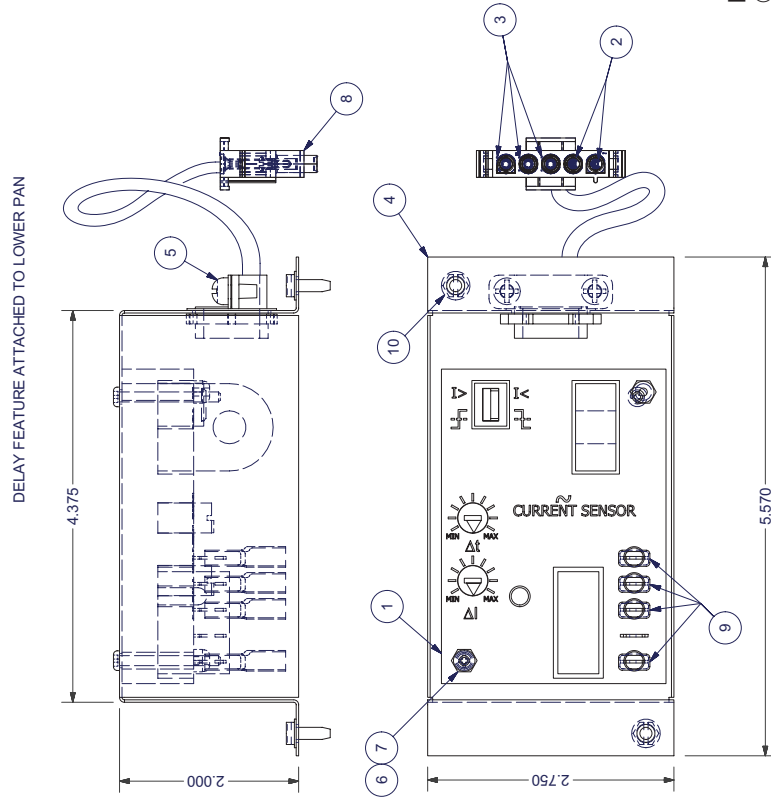
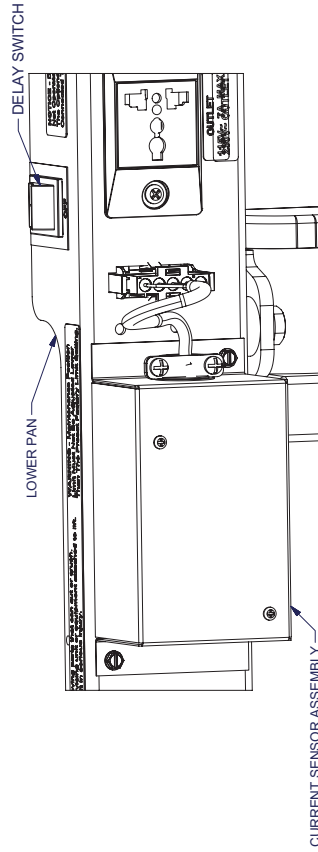
Drawing 300383 230V AC Current Sensor by Draper



ITEM	QTY	PART NUMBER	DESCRIPTION
1	1	C232.002	SENSOR, 230 VAC CURRENT
2	2	C097.003	CONNECTOR PIN 24-18 AWG AMP #350661-1 (ACCESS)
3	3	C097.045	CONNECTOR PIN 20-14 AWG AMP #350647-1
4	1	C108.084.07SA	BOX, CURRENT SENSOR
5	1	C111.008	ELECTRICAL CONNECTOR C500 (NEER) 2 SCREW
6	2	C020.481	Screw #4-40 x 1 1/8" Long Phil Pan Hd Stainless
7	2	C018.084	Nut, #4-40 Nylon Inserted Lock
8	1	C097.014-1	CONNECTOR PLUG HSG AMP # 350809-1 (ACCESS)
9	4	C113.058	TERMINAL, 22 - 18 AWG, .250 W PANDUIT; DNG18-250FB LOOSE
10	2	C020.200	Screw, 6-32 x .375 HEX WASH HD T Type "F"

NOTES

- When the Optional Current Sensor is installed the Delay Switch must be in the "Delay On" position for the Delay Feature to operate properly.
- If the Optional Current Sensor is installed and the "Show" position requires adjusting the "Delay Switch" must be switched to "Off" while adjusting the show position. Refer to the "Adjusting" section of the Lift instructions for information on how to adjust the "Show" position.
- Return the "Delay Switch" to the "ON" position.



DRAPER®

411 S. Pearl St., Spiceland, IN 47385 USA ■ 765-987-7999
www.draperinc.com ■ fax 765-987-7142

Copyright © 2014 Draper Inc. Form 230VCurrentSensor_Drawing14 Printed in U.S.A.