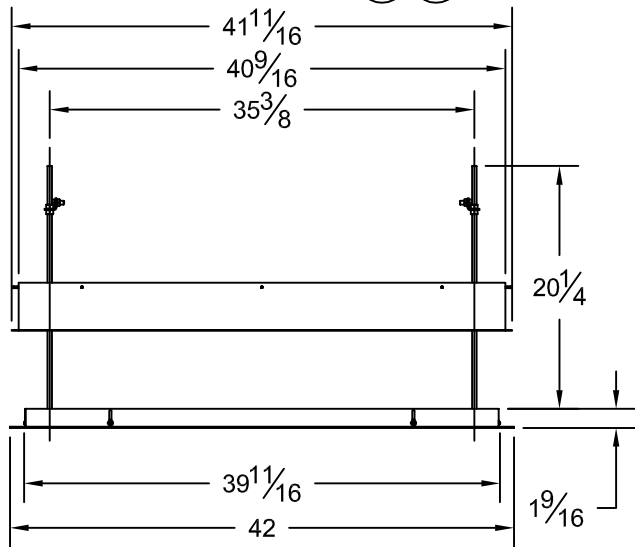
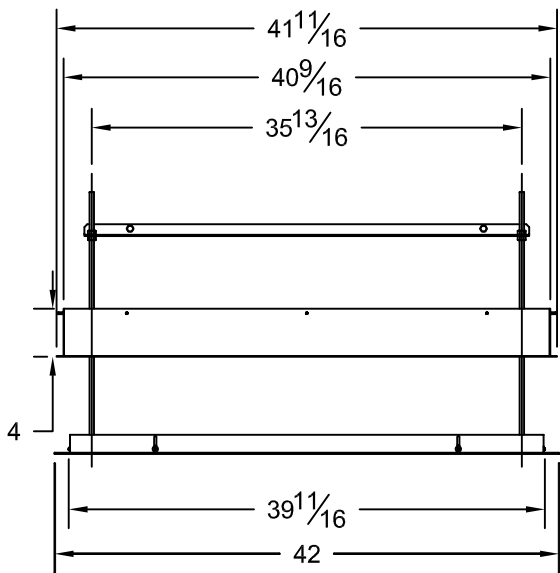
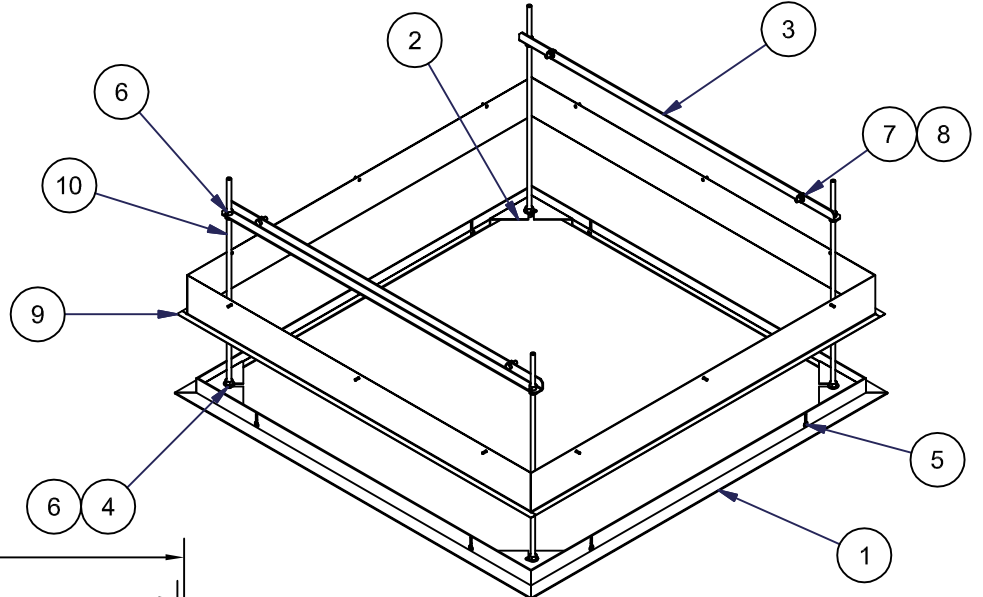


Parts List				
ITEM	QTY	PART NUMBER	DESCRIPTION	
1	1	C028.546.07SA	Frame, SLX Closure Trim	
2	1	C044.181.07SA	Panel, SLX Assembled Closure	
3	2	C002.845.07SA	Bracket, SLX Closure	
4	8	C013.050	Washer .375 I.D. x .875 O.D. x .064"TK GRD 2 Zinc Flat	
5	8	C020.082	SCREW, 10-16 X 1/2" 6 LOBE TRUSS HEAD AB E-WHITE	
6	16	C018.027	NUT, 3/8-16 HEX GRD 2 NSF	
7	4	C020.322	Screw, 5/16 - 18 x 3/4" Long Grade 5 HH Zinc	
8	4	C018.045	NUT 5/16-18 ZINC HEX KEPS	
9	1	C028.545.07SA	Frame, SLX Trim Ring	
10	4	C077.037.49	Rod, Threaded 3/8-16 x 21 3/8" L Zinc	



		DRAPER Inc. 411 S. Pearl St. Spiceland, Indiana	
		Title <b>SLX Ceiling Finish Kit</b>	
		Sheet 1 of 1	
Scale $3/4"=1'$	Date 7/6/2012	Part NO. <b>300264</b>	