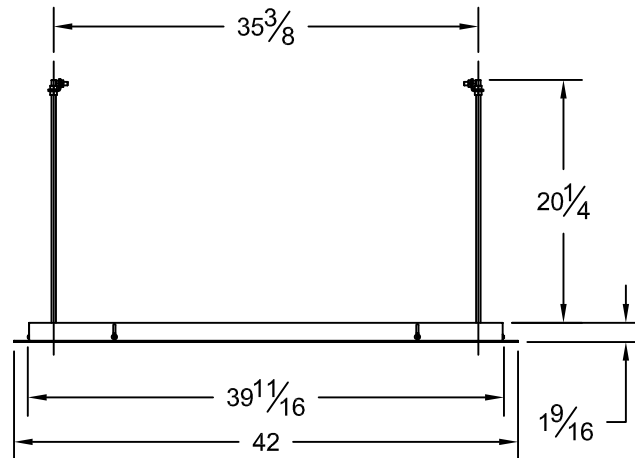
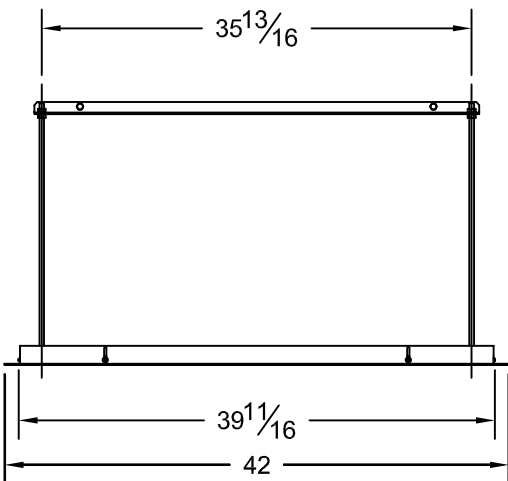
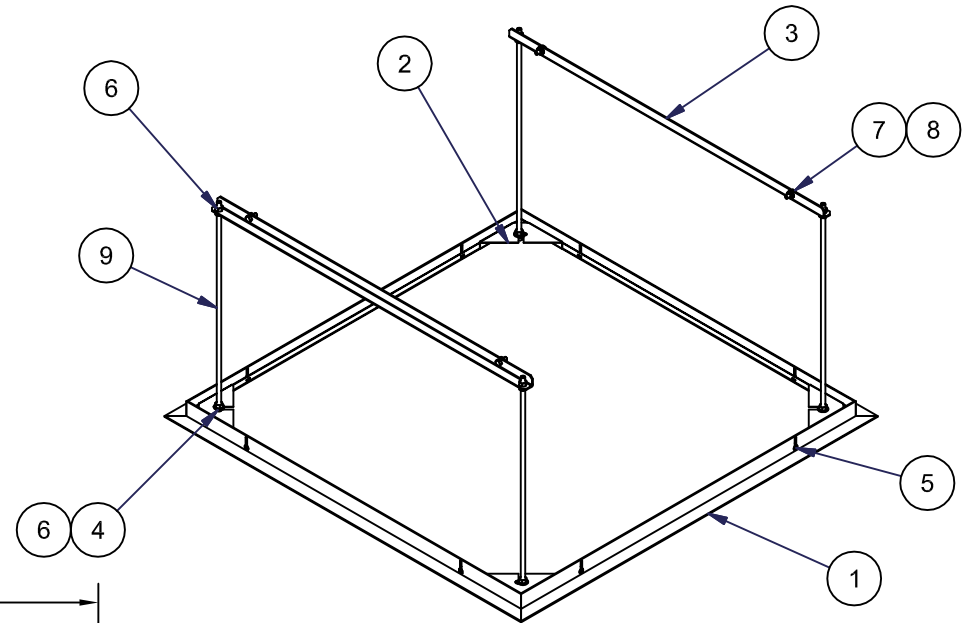
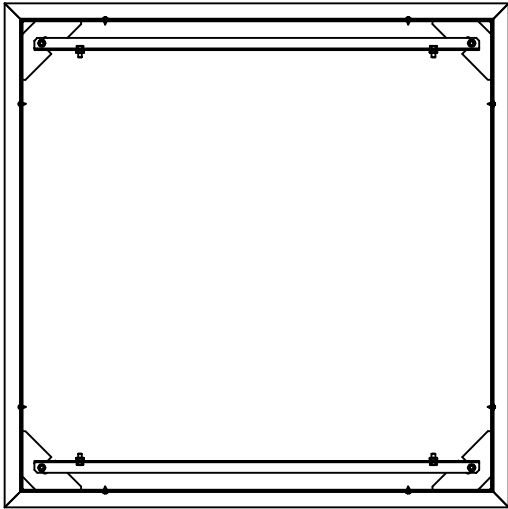


| Parts List | | | |
|------------|-----|---------------|--|
| ITEM | QTY | PART NUMBER | DESCRIPTION |
| 1 | 1 | C028.546.07SA | Frame, SLX Closure Trim |
| 2 | 1 | C044.181.07SA | Panel, SLX Assembled Closure |
| 3 | 2 | C002.845.07SA | Bracket, SLX Closure |
| 4 | 8 | C013.050 | Washer .375 I.D. x .875 O.D. x .064"TK GRD 2 Zinc Flat |
| 5 | 8 | C020.558 | SCREW, 10-16 X 1/2" 6 LOBE TRUSS HEAD AB E-WHITE |
| 6 | 16 | C018.027 | NUT, 3/8-16 HEX GRD 2 NSF |
| 7 | 4 | C020.322 | Screw, 5/16 - 18 x 3/4" Long Grade 5 HH Zinc |
| 8 | 4 | C018.045 | NUT 5/16-18 ZINC HEX KEPS |
| 9 | 4 | C077.037 | Rod, Threaded 3/8-16 x 21 3/8" L Zinc |



| | | |
|--|-------------------------|---|
| DRAPER | | DRAPER Inc. 411 S. Pearl St. Spiceland, Indiana |
| Title SLX Ceiling Closure Panel | | |
| | | Sheet 1 of 1 |
| Scale 3/4"=1' | Date 7/6/2012 | Part NO. 300265 |