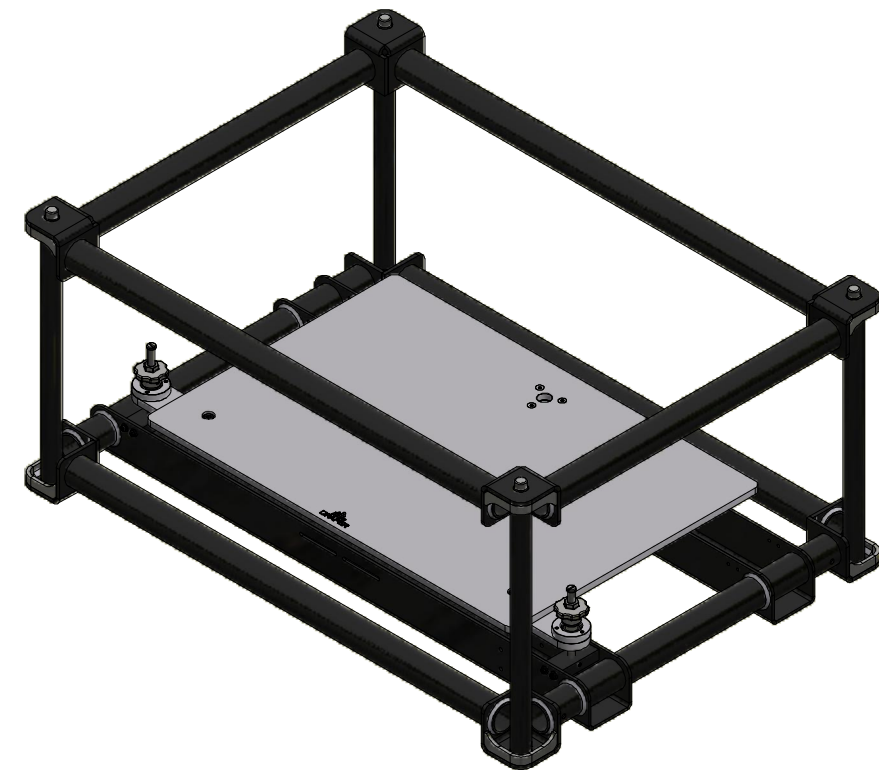
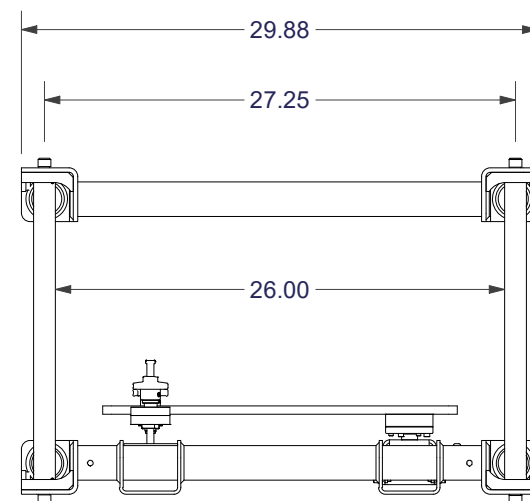
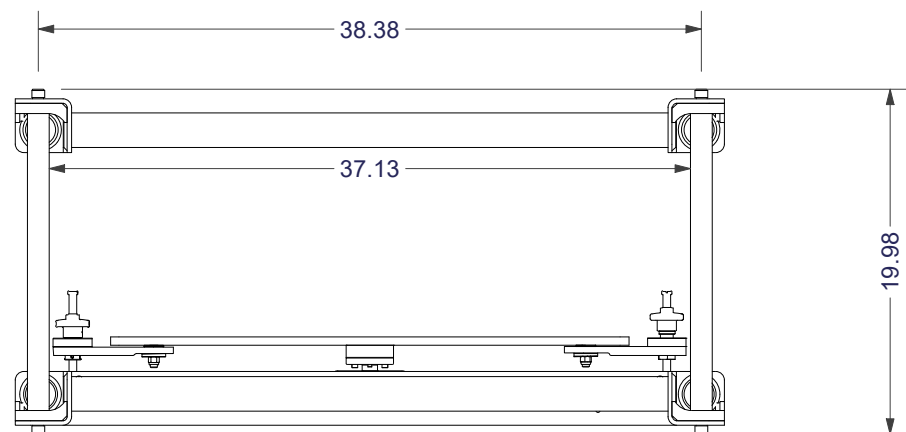
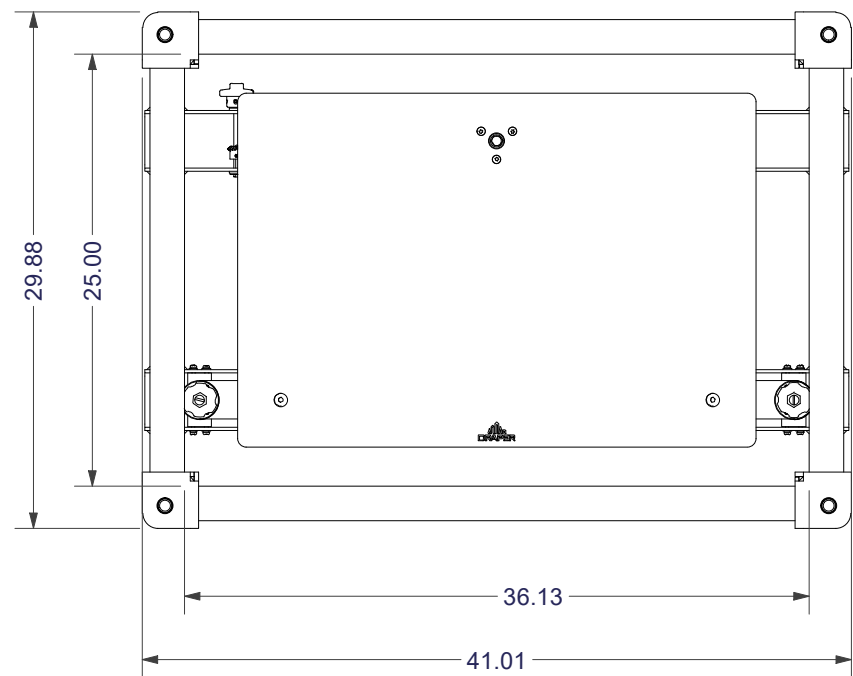


4

3

2

1



PROPRIETARY DRAWING NOTICE: THIS DOCUMENT CONTAINS CONFIDENTIAL, PROPRIETARY INFORMATION OF DRAPER, INC., IS THE PROPERTY OF DRAPER, INC., AND MUST BE RETURNED UPON REQUEST. NEITHER RECEIPT NOR POSSESSION THEREOF CONFERS ANY RIGHT TO OWN, REPRODUCE, USE, OR DISCLOSE IN WHOLE OR IN PART, ANY SUCH INFORMATION WITHOUT WRITTEN AUTHORIZATION FROM DRAPER, INC.

TOLERANCES
UNLESS NOTED

DESIGNED BY: **senochs** 3/19/2018

DRAWN BY:

CHECKED BY:

MATERIAL:

FINISH:



DRAPER, INC.
411 S. PEARL ST.
SPICELAND, IN 47385
www.draprinc.com

TITLE: **WIDE LARGE FLY CAGE ASSEMBLED**

DWG SIZE : B REV: 000 SHEET: 1 OF: 3 DWG NO. : C028.737 ASSEMBLY REV A

000	DATE	ECO	BY	DESCRIPTION
REVISION HISTORY				

4

3

2

1

B

B

A

A