

4

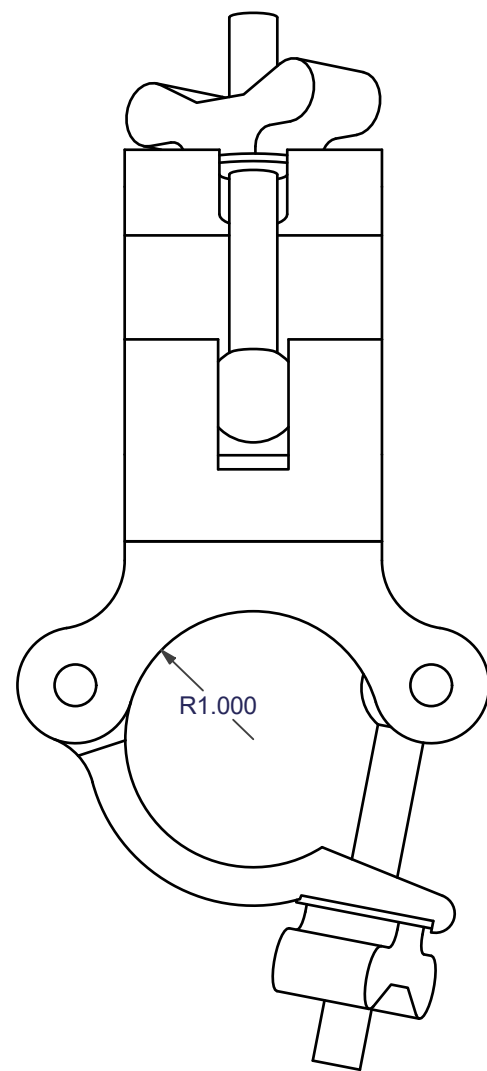
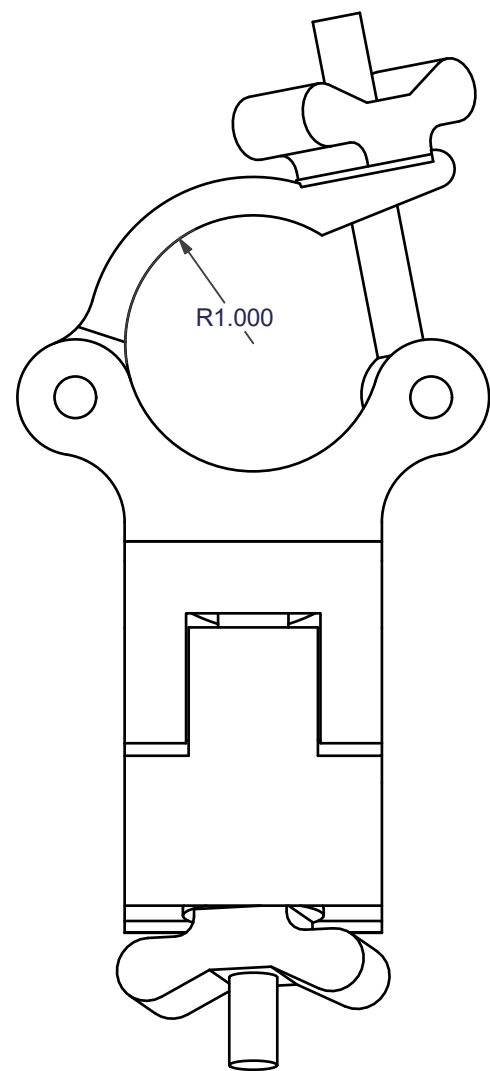
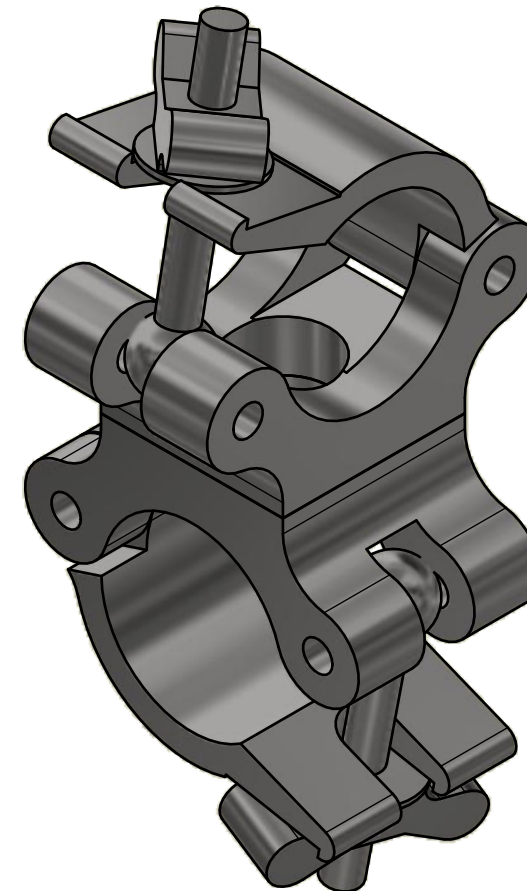
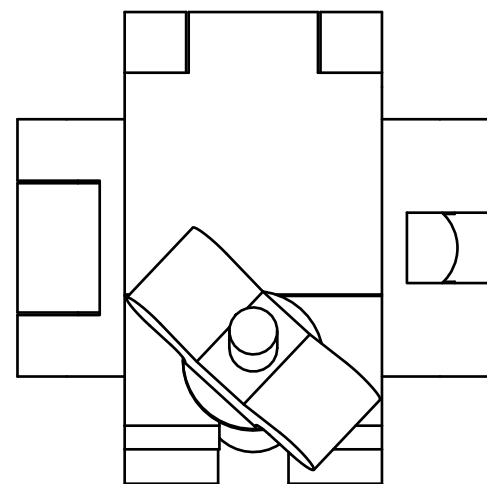
3

2

1

B

B



A

A

PROPRIETARY DRAWING NOTICE: THIS DOCUMENT CONTAINS CONFIDENTIAL, PROPRIETARY INFORMATION OF DRAPER, INC., IS THE PROPERTY OF DRAPER, INC., AND MUST BE RETURNED UPON REQUEST. NEITHER RECEIPT NOR POSSESSION THEREOF CONFERS ANY RIGHT TO OWN, REPRODUCE, USE, OR DISCLOSE IN WHOLE OR IN PART, ANY SUCH INFORMATION WITHOUT WRITTEN AUTHORIZATION FROM DRAPER, INC.

TOLERANCES  
UNLESS NOTED

DESIGNED BY: senochs 3/19/2018

DRAWN BY: jshopp

CHECKED BY:

MATERIAL: STEEL

FINISH:



DRAPER, INC.  
411 S. PEARL ST.  
SPICELAND, IN 47385  
www.draperinc.com

TITLE: CLAMP, 2" CHEESEBOROUGH DOUBLE

DWG SIZE : REV: SHEET: 1 DWG NO. :  
B OF: 1

C016.095

000	DATE	ECO	BY	DESCRIPTION
REVISION HISTORY				

4

3

2

1



DO NOT  
SCALE