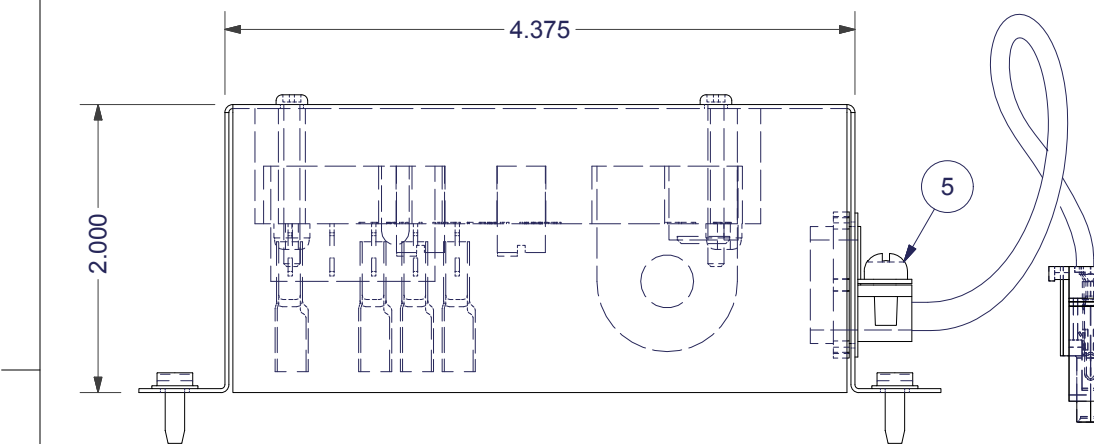
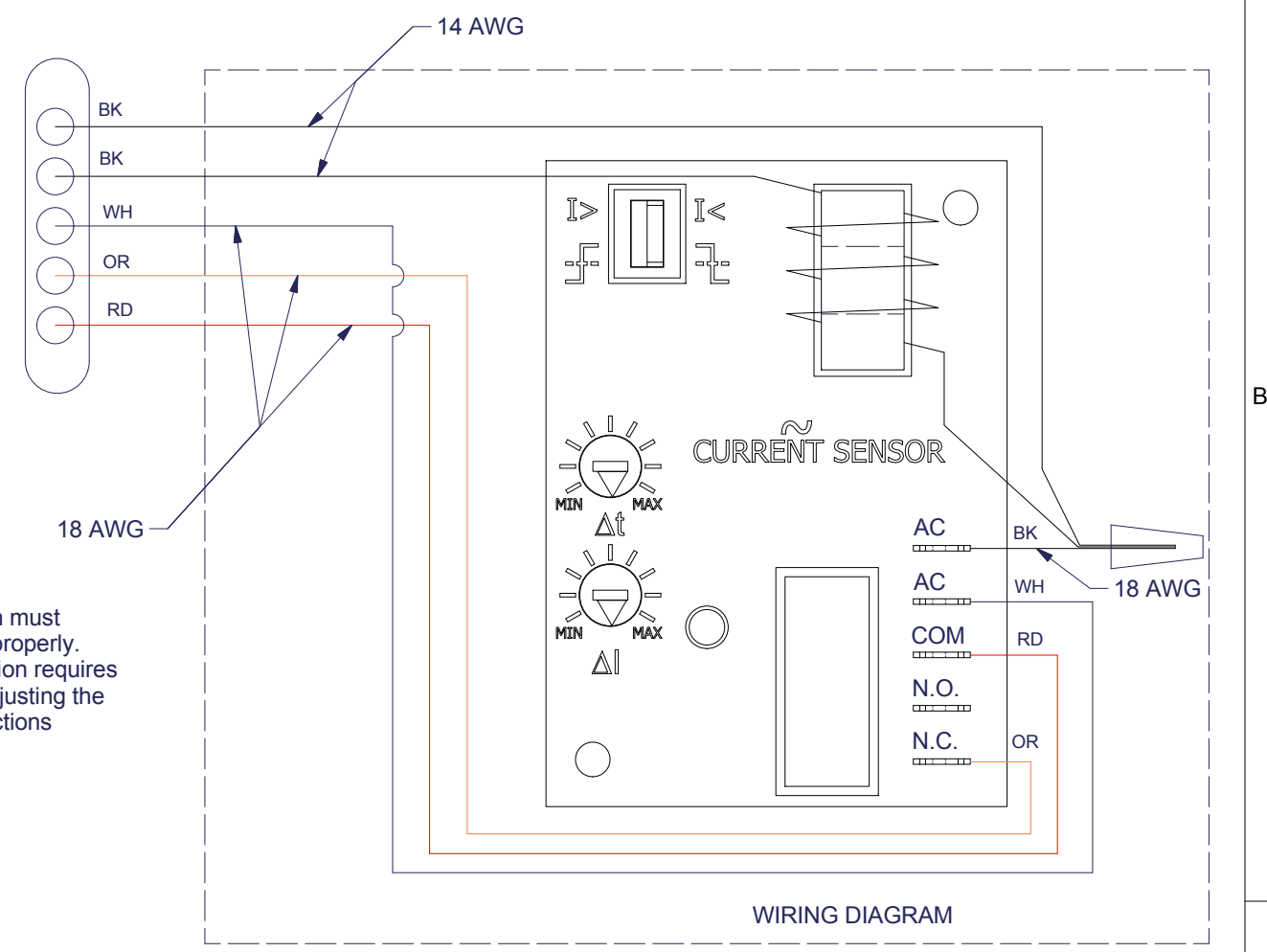
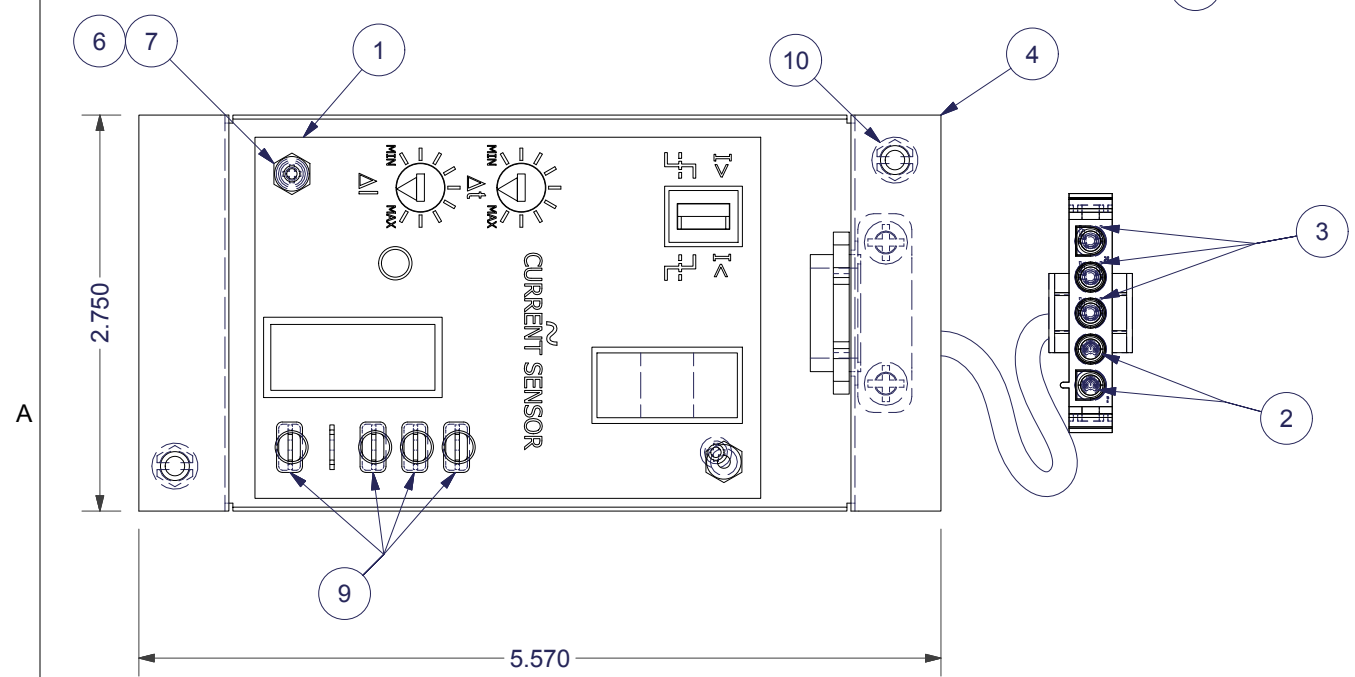


DELAY FEATURE ATTACHED TO LOWER PAN



- NOTES:**
1. When the Optional Current Sensor is installed the Delay Switch must be in the "Delay On" position for the Delay Feature to operate properly.
 2. If the Optional Current Sensor is installed and the "Show" position requires adjusting the "Delay Switch" must be switched to "Off" while adjusting the show position. Refer to the "Adjusting" section of the Lift instructions for informations on how to adjust the "Show" position.
 3. Return the "Delay Switch" to the "ON" positon.



WIRING DIAGRAM

ITEM	QTY	PART NUMBER	DESCRIPTION
1	1	C232.002	SENSOR, 230 VAC CURRENT
2	2	C097.003	CONNECTOR PIN 24-18 AWG AMP #350561-1 (ACCESS)
3	3	C097.045	CONNECTOR PIN 20-14 AWG AMP #350547-1
4	1	C108.084.07SA	BOX, CURRENT SENSOR
5	1	C111.008	ELECTRICAL CONNECTOR C500 (NEER) 2 SCREW
6	2	C020.530	Screw #4-40 x 1 1/8" Long Phil Pan Hd Stainless
7	2	C018.084	Nut, #4-40 Nylon Inserted Lock
8	1	C097.014-1	CONNECTOR PLUG HSG AMP # 350809-1 (ACCESS)
9	4	C113.058	TERMINAL, 22 - 18 AWG .250 W PANDUITt DNG18-250FB LOOSE
10	2	C020.200	Screw, 6-32 x .375 HEX WASH HD Type "F"

<p>TOLERANCES UNLESS NOTED</p> <p>2 PLC. DECIMAL: ±.01" 3 PLC. DECIMAL: ±.005" ANGULAR: ±1° FRACTIONAL: ±1/32"</p>	DESIGNED BY: senochs	10/5/2012	<p>DRAPER, INC. 411 S. PEARL STREET SPICELAND, INDIANA 47385-0425 www.draperinc.com</p>
	DRAWN BY: senochs	10/29/2013	
	CHECKED BY:		
	MFG APPD BY:		
PROPRIETARY DRAWING NOTICE: THIS DOCUMENT CONTAINS CONFIDENTIAL, PROPRIETARY INFORMATION OF DRAPER, INC., IS THE PROPERTY OF DRAPER, INC., AND MUST BE RETURNED UPON REQUEST. NEITHER RECEIPT NOR POSSESSION THEREOF CONFERS ANY RIGHT TO OWN, REPRODUCE, USE, OR DISCLOSE IN WHOLE OR IN PART, ANY SUCH INFORMATION WITHOUT WRITTEN AUTHORIZATION FROM DRAPER, INC.			TITLE: 230 VOLT OPTIONAL CURRENT SENSOR
MATERIAL:			PAPER SIZE: B FINISH:
SCALE: NONE			REV: SHEET: 1 OF: 1 DWG NO. - PART NO. 300383

000	REV	Date	ECO	BY	DESCRIPTION
REVISION HISTORY					