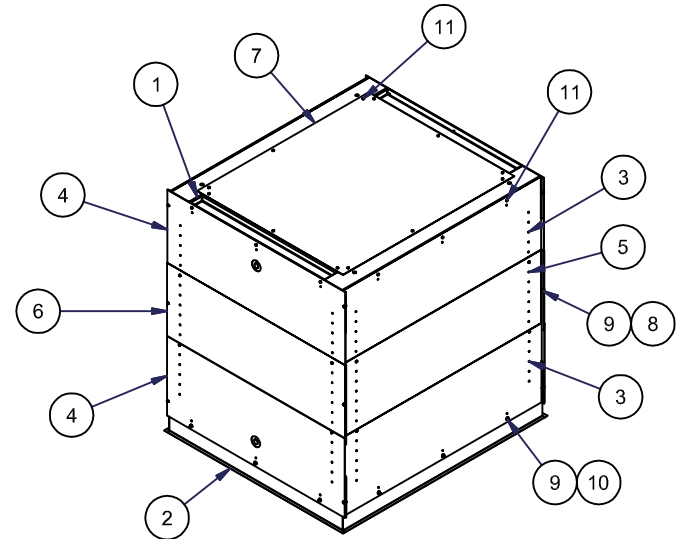
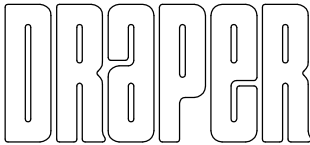


Parts List			
ITEM	QTY	PART NUMBER	DESCRIPTION
1	1	C028.625.01SA	Frame, SLXR Plenum
2	1	C028.626.07SA	Frame, SLXR Trim Ring
3	4	C044.206SA	Panel, SLXR Plenum Side
4	4	C044.180SA	Panel, SLX Plenum End
5	2	C044.207SA	Panel, SLXR Plenum Middle
6	2	C044.177SA	Panel, SLX Plenum Middle Side
7	1	C095.133SA	Cover, SLXR Plenum
8	28	C020.325	SCREW, 8-32X3/8 TYPE 1 HWH
9	40	C018.051	NUT #8-32 ZINC HEX KEPS
10	12	C013.070	Washer, .188 I.D. x .5 O.D. x .07 TK Nylon Flat
11	24	C020.112	SCREW, 8-32X3/8 TYPE F HWH



		DRAPER Inc. 411 S. Pearl St. Spiceland, Indiana	
		Title SLXR Environmental Air Space	
		Sheet 1 of 1	
Scale 1/2"=1'	Date 7/9/2012	Part NO. 300295	