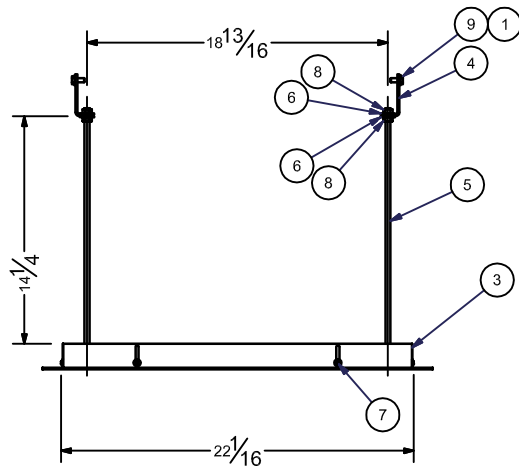
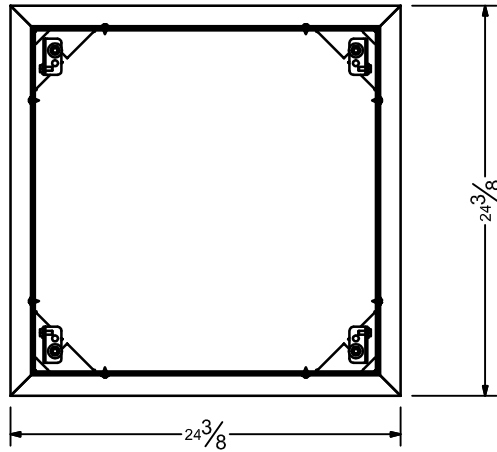
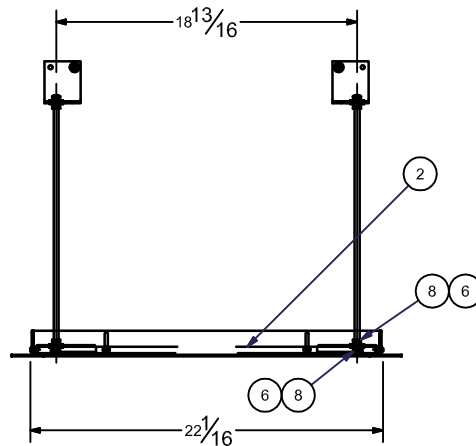


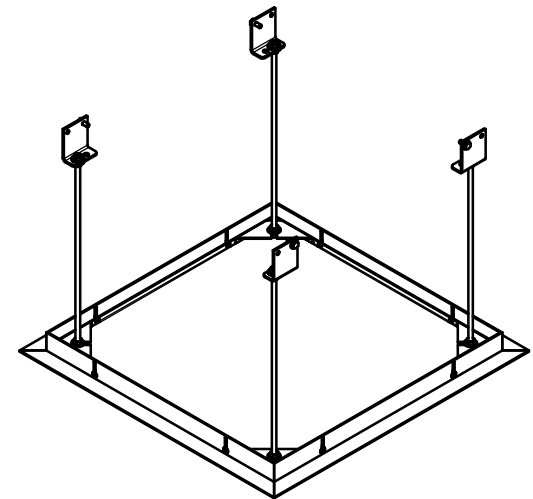
ITEM	QTY	PART NUMBER	DESCRIPTION
1	4	C013.033	WASHER, 1/4" FLAT
2	1	C044.184.07SA	Panel, SL Closure
3	1	C028.573.07SA	Frame, SL Closure Trim
4	4	C002.889.07SA	Bracket, SL Closure Mounting
5	4	C077.052	Rod, Threaded 5/16-18 x 16" L Zinc
6	16	C013.050	Washer .375 I.D. x .875 O.D. x .064"TK GRD 2 Zinc Flat
7	8	C020.558	SCREW, 10-16 X 1/2" 6 LOBE TRUSS HEAD AB E-WHITE
8	16	C018.028	NUT 5/16-18 ZINC GRADE 2 HEX
9	4	C020.152	SCREW .25-20 X .625 HEX HD GRD2 ZINC CAP PART1



FRONT/BACK



SIDE



DRAPER DRAPER Inc.
411 S. Pearl St.
Spiceland, Indiana

Title SL Ceiling Closure Panel

Sheet 1 of 1

Scale 1"=1'

Date 7/6/2012

Part NO. 300291